

## Mechanical Push



## Mechanical Push

The PUSH-System is a self-opening system for the doors of all types of handleless furniture.

It consists of a series of self-opening hinges, release devices that can be fitted to the top, base or side panel of the cabinet, and retaining catches to be fitted to the back of the door.

The retaining catches can be pressure-fixed or screw-fixed.

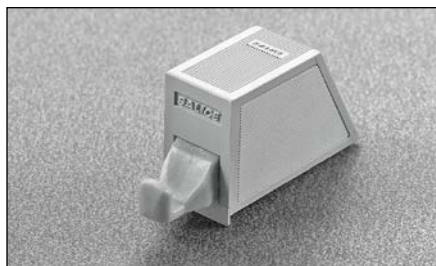
For doors over 1600 mm in height, we suggest that you use two mechanical release catches.



**DP1SNB** - beige



**DP1SNG** - grey



With assembly stop device.

**Packing**  
Boxes 300 pcs.

### Installation of mechanical Push with adhesive strip

For correct application and to ensure optimal endurance, please follow the following procedure:

- 1)** clean and degrease the cabinet surface where the release device is to be installed using an acetone based cleaner;
- 2)** remove the protective strip from the adhesive;
- 3)** place the release device in position and apply a firm pressure for about one minute;
- 4)** allow a period of 12 hours to elapse before subjecting the PUSH-System to continuous usage.



# Mechanical Push - To be screw-fixed

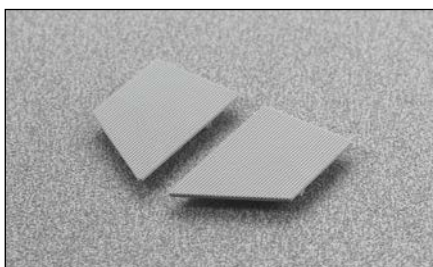
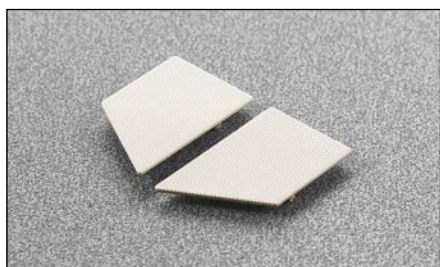
**DP3SNB** - beige



**DP3SNG** - grey



With assembly stop device.



**Packing**  
Boxes 300 pcs.

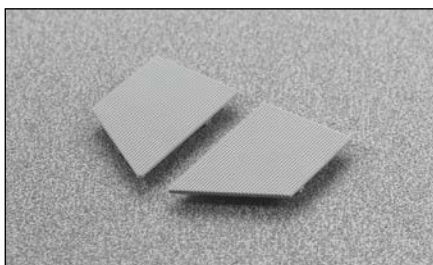
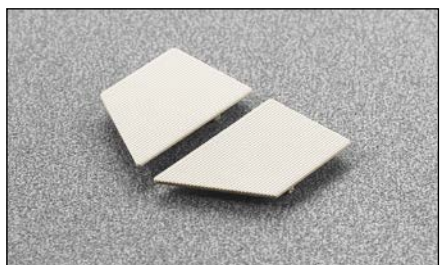
**DP3SNBR** - beige



**DP3SNGR** - grey



Without assembly stop device.

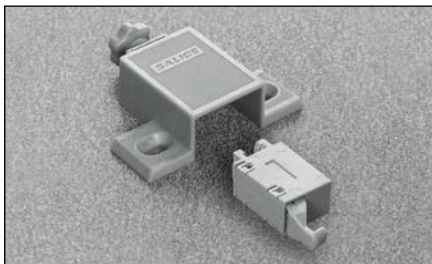


**Packing**  
Boxes 300 pcs.

**DP4SNB** - beige



**DP4SNG** - grey



Single adapter with depth and sideways adjustment and release device. Without assembly stop device.

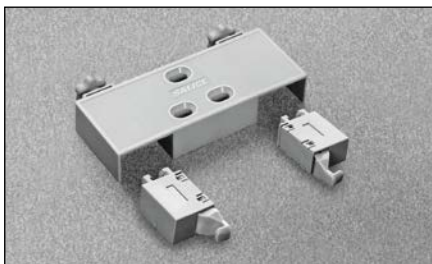
**Packing**

Boxes 300 pcs.

**DP5SNB** - beige



**DP5SNG** - grey



Double adapter with depth and sideways adjustment and release devices. Without assembly stop device.

**Packing**

Boxes 150 pcs.

**N.B.: Drilling patterns at page 14.**

**Technical information on the adjustable mechanical Push**

The adjustable Push consists of a release device and a screw-fixed adapter which have been developed to improve the locating action of the system.

The adjustable Push now has a depth adjustment facility with a range of -1 mm to + 2.5 mm which is controlled by a small adjuster wheel located at the back of the adapter.

In addition, the adapter has a sideways adjustment facility of  $\pm 2$  mm. This is achieved by loosening the two fixing screws and adjusting the position of the adapter using the elongated holes. Finally, the screws must be retightened.



## Mechanical Push - Retaining catches for wooden doors

**DP29SNB** - beige



**DP29SNG** - grey



Retaining catch for wooden door.  
Knock-in.

**Packing**

Boxes 300 pcs.

**DP29SNBMC** - beige



**DP29SNGMC** - grey



Retaining catch for wooden door and special  
assemblies.  
Knock-in.

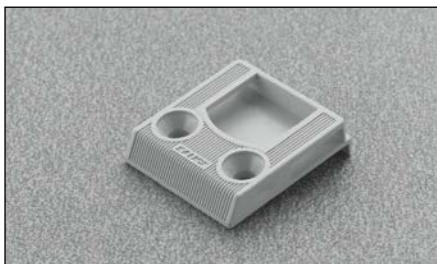
**Packing**

Boxes 300 pcs.

**DP29SNBI** - beige



**DP29SNGI** - grey



Retaining catch for wooden door.  
With assembly stop device.  
Screw-on.

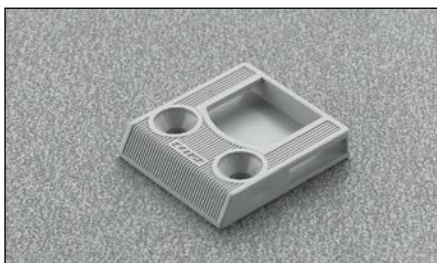
**Packing**

Boxes 300 pcs.

**DP29SNBR** - beige



**DP29SNGR** - grey



Retaining catch for wooden door.  
Without assembly stop device.  
Screw-on.

**Packing**

Boxes 300 pcs.

**N.B.: Drilling patterns at page 15.**

**DP29SNBA** - beige



**DP29SNGA** - grey



Retaining catch for aluminium-frame door  
width = 35 - 45 mm.

**Packing**

Boxes 300 pcs.

**DP29SNBB** - beige



**DP29SNGB** grey



Retaining catch for aluminium-frame door  
width = 17 - 35 mm.

**Packing**

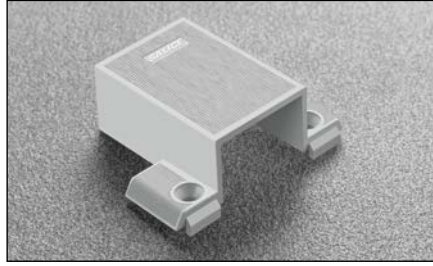
Boxes 300 pcs.

**N.B.: Drilling patterns at pages 16**

**DP52SNB** - beige



**DP52SNG** - grey



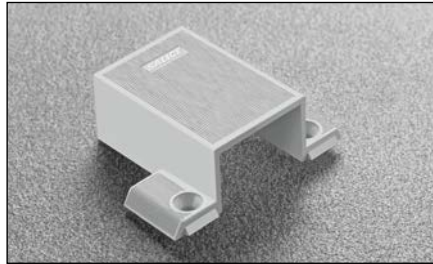
Single adapter.  
6x40 mm drilling.  
With assembly stop device.  
**DP53SN\_** = single adapter with sideways adjustment.

**Packing**  
Boxes 300 pcs.

**DP52SNBR** - beige



**DP52SNGR** - grey



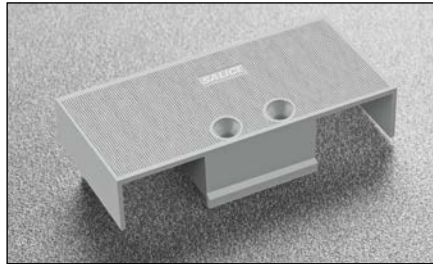
Single adapter.  
6x40 mm drilling.  
Without assembly stop device.  
**DP53SN\_R** = single adapter with sideways adjustment.

**Packing**  
Boxes 300 pcs.

**DP54SNB** - beige



**DP54SNG** - grey



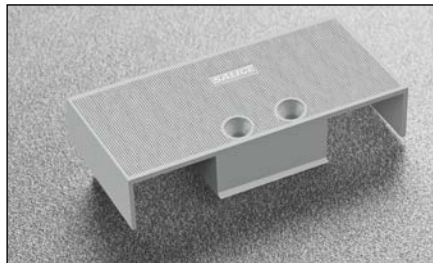
Double adapter.  
6x16 mm drilling.  
With assembly stop device.

**Packing**  
Boxes 150 pcs.

**DP54SNBR** - beige



**DP54SNGR** - grey

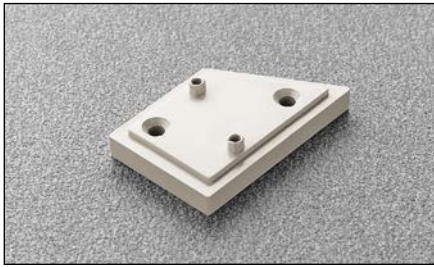


Double adapter.  
6x16 mm drilling.  
Without assembly stop device.

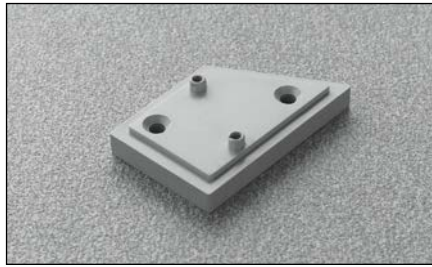
**Packing**  
Boxes 150 pcs.



**DP44XXBD** - beige



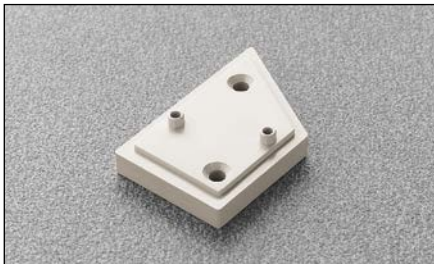
**DP44XXGD** - grey



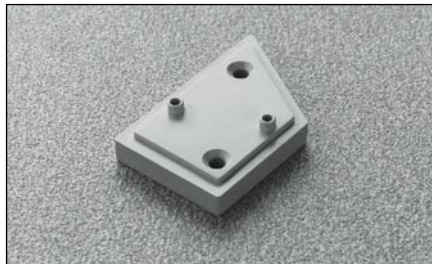
Right spacer H = 4.8 mm.

**Packing**  
Boxes 300 pcs.

**DP44XXBS** - beige



**DP44XXGS** - grey



Left spacer H = 4.8 mm.

**Packing**  
Boxes 300 pcs.

**DP50SN0**

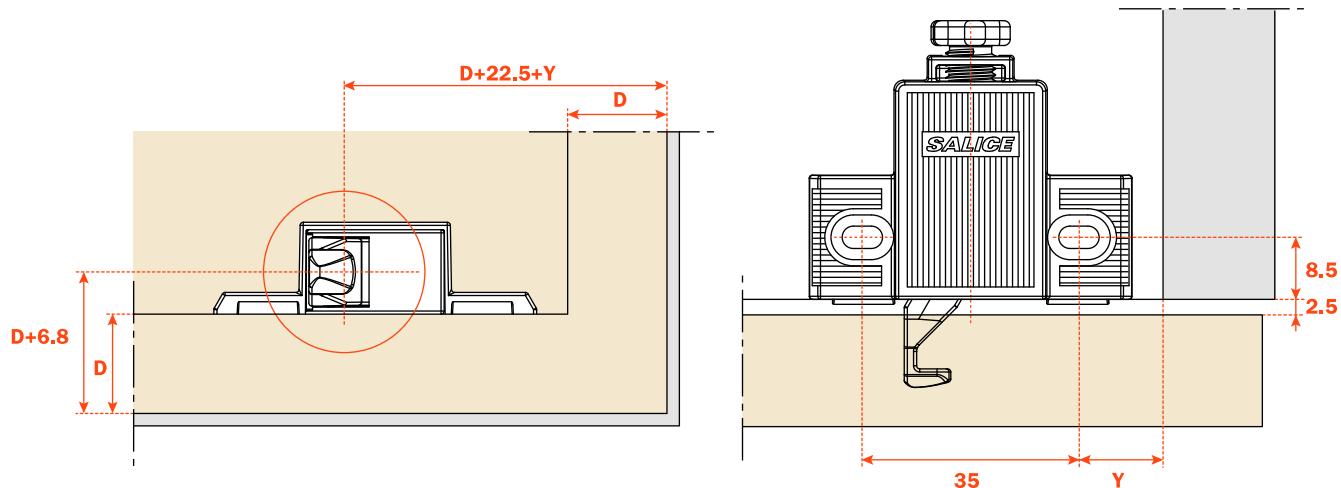


Orange insertion tool for retaining catch DP29SN\_.



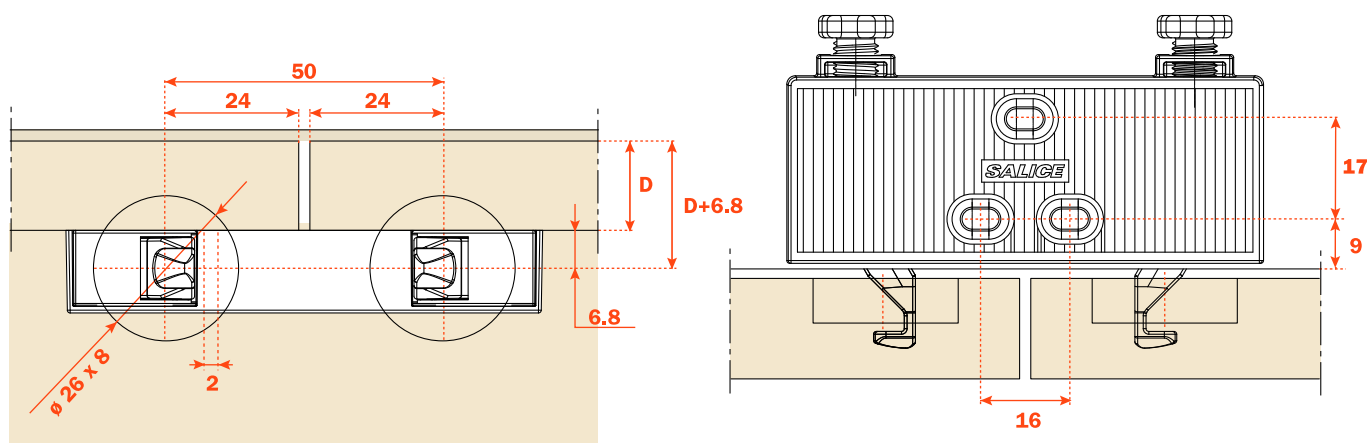
# Mechanical Push - With adjustment

## Push with depth and sideways adjustment

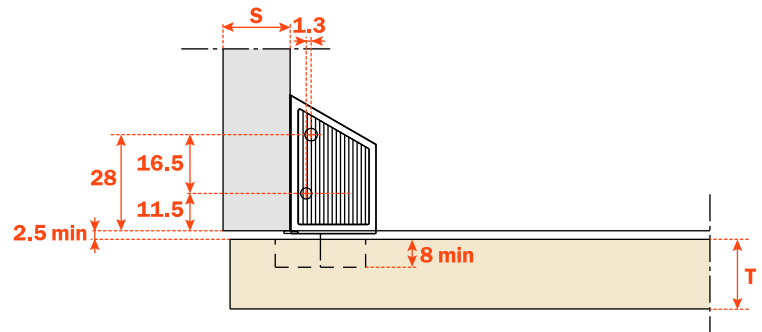
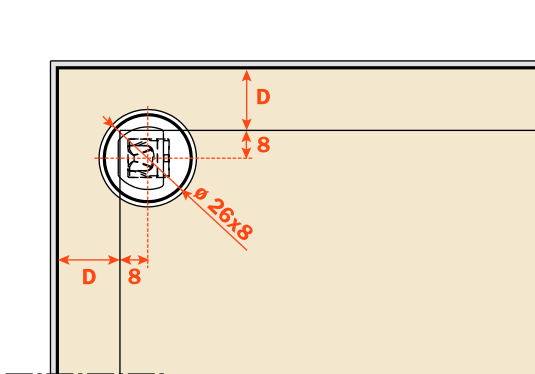


**D** = Door overlay on side and top of the cabinet  
**Y** = min. 8.5 mm

## Double Push with depth and sideways adjustment



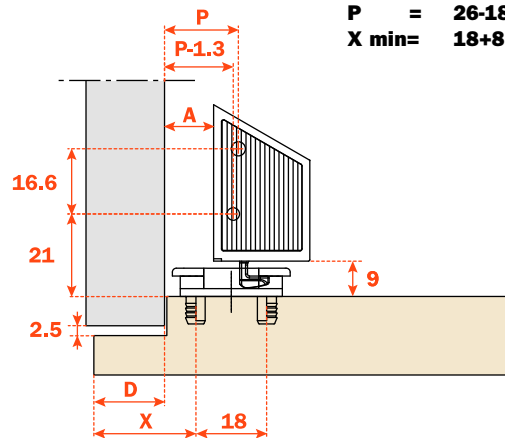
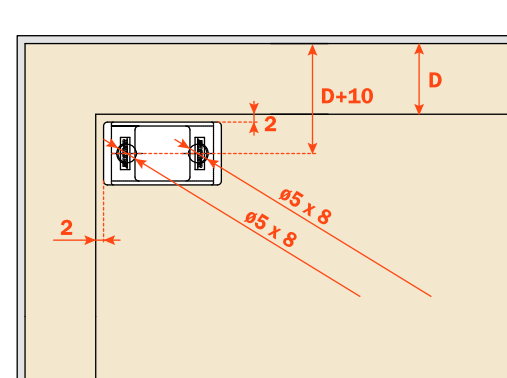
**Fulloverlay door**



**D = Door overlay on side and top of the cabinet**  
**Drilling distance of retaining catch = D + 8**

**Special assemblies**

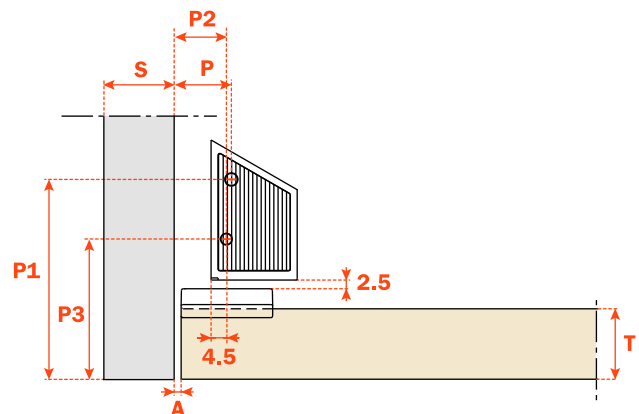
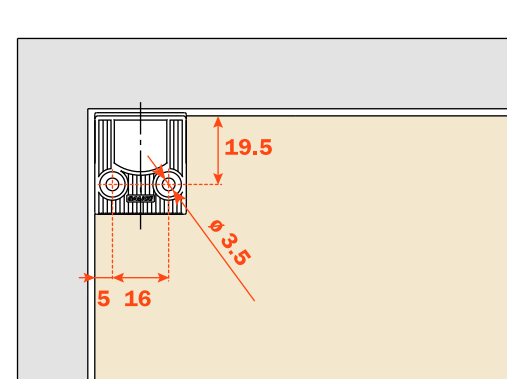
$$\begin{aligned}
 A &= X - D + 4.5 \\
 P &= X - D + 10.8 \\
 X \text{ min} &= D + 8 \\
 \\ 
 A &= 26 - 18 + 4.5 = 12.5 \\
 P &= 26 - 18 + 10.8 = 18.8 \\
 X \text{ min} &= 18 + 8 = 26
 \end{aligned}$$



**D = Door overlay on side and top of the cabinet**

**Inset door**

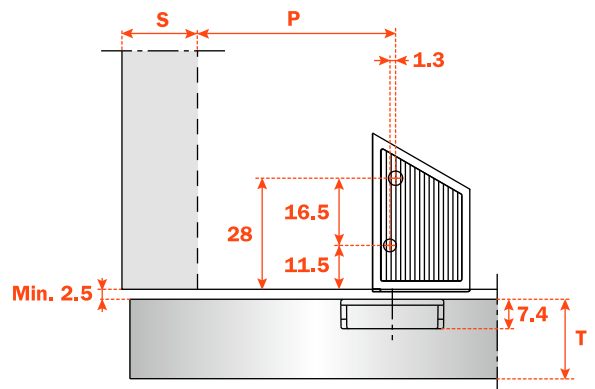
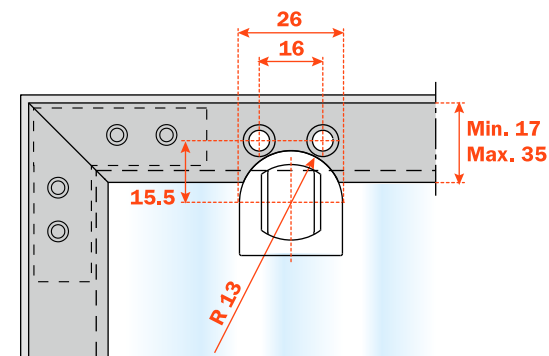
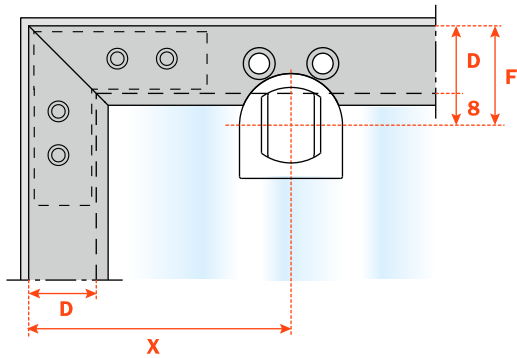
$$\begin{aligned}
 P &= 14.8 + A \\
 P1 &= 36.8 + T \\
 P2 &= P - 1.3 \\
 P3 &= P1 - 16.5
 \end{aligned}$$



# Mechanical Push - Drilling for aluminium frame door

## Profile min. 17 mm/max 35 mm

- D** = Door overlay on side and top of the cabinet
- F** = Drilling distance of retaining catch =  $D + 8$
- X** = Relative to the distance to the corner of the profile
- P** = Fixing distance of PUSH =  $X - D + 1.3$



## Profile min. 35 mm/max. 45 mm

- D** = Door overlay on side and top of the cabinet
- F** = Drilling distance of retaining catch =  $D + 8$
- X** = Relative to the distance to the corner of the profile
- P** = Fixing distance of PUSH =  $X - D + 1.3$

