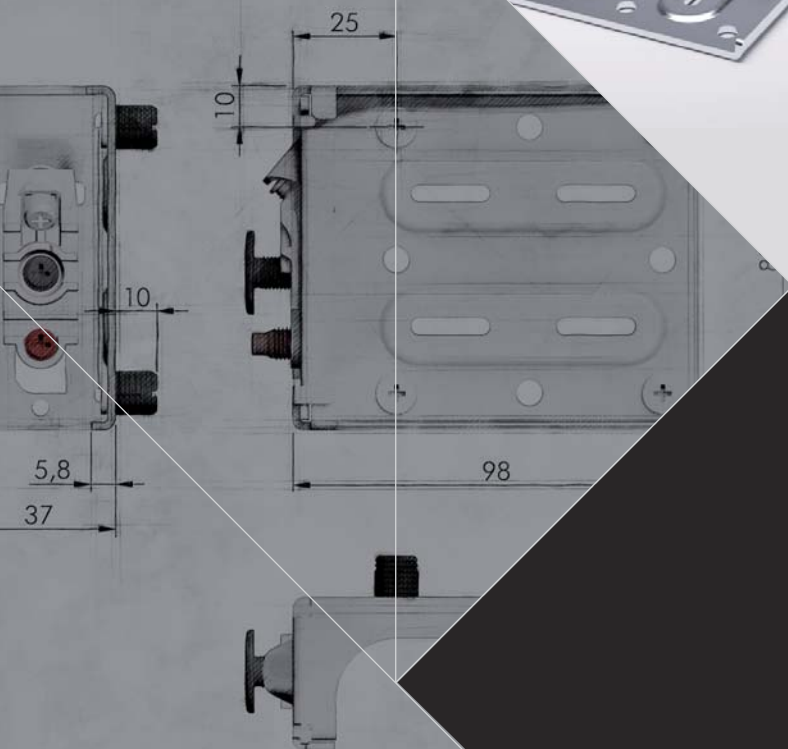


LIBRA H11

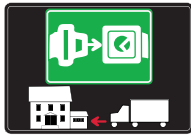


HANGERS



SYMBOLS AND FINISHES LEGEND

SYMBOLS



= SHELF SAFELY LOCKED DURING TRANSPORTATION AND AT HOME.



= ANTI-TURNOVER LOCKING SYSTEM



= NORMS / PATENTS



= PHILLIPS / POZIDRIV



= WITH BUFFER



= PART NO.



= BLADE SLOT



= WITH MAGNET



= PCS. PER PACKAGE



= COMBI SLOT



= HEXAGONAL SOCKET



= NEWTON



= CAPACITY LOADING



= HEXALOBULAR SOCKET



= FRICTION



= WOOD / GLASS THICKNESS



= COUNTERSUNK HEAD



= AUTOMATIC



= HOLE DIAMETER



= PAN HEAD



= DROP DOWN



= DIAMETER



= FLANGE HEAD



= LENGTH



= FLAT HEAD



= STANDARD HINGE



= HEIGHT



= TRILOBULAR SCREW



= KIMANA HINGE



= RIGHT VERSION



= SELF-TAPPING SCREW



= FLAP HINGE



= LEFT VERSION



= EURO THREAD



= WITH SPRING



= SETTING CODE



= METRIC THREAD



= WITHOUT SPRING



= PCS. PER PAD



= PRE-INSERTED SCREW



= REVERSED SPRING



= CUT ON REQUEST



= PRE-INSERTED SCREW AND SPREADING BUSH



= SELF ADHESIVE



= WITH FLANGE

NOTE: Printing errors and omissions may exist despite our best efforts to ensure accuracy. We reserve the right to alter specifications without notice.

MATERIALS

ZA = Zinc Alloy

ST = Steel

HSS = High Speed Steel

BR = Brass

ABS = Acrylonitrile Butadiene Styrene

ZAnk = Nickel-plated Zinc Alloy

STzk = Zinc-plated Steel

AL = Aluminium

WD = Wood

EVA = Ethylene Vinyl Acetate

EP = **ENGINEERING PLASTIC**

+ **EP** = other engineering plastic available on request

SR = **SOFT RUBBER** + **SR** = other soft rubber available on request

EPn = Natural Engineering Plastic

EPc = Clear Engineering Plastic

SRn = Natural Soft Rubber

EPw = White Engineering Plastic

EPg = Grey Engineering Plastic

SRw = White Soft Rubber

EPb = Black Engineering Plastic

EPa = Anthracite Engineering Plastic

SRb = Black Soft Rubber



FINISHES



+ **OTHER FINISHES AVAILABLE ON REQUEST**

PART NO.	FINISHES	PART NO.	FINISHES	PART NO.	FINISHES
00	Insignificant finish	IF	Grey 7	XE	Inox
AA	Natural	IJ	Light Grey	YA	Nickel-plated
AB	White	IL	Grey 20	YC	Matt Nickel-plated
AE	White 9010	IN	Grey met. 26	YD	Satin-finished Nickel-plated
EA	Black	JG	Aluminium 5	YQ	Black Nickel
EC	Matt Black	JL	Aluminium PE 11	Z9	Black Zinc
EE	Anthracite	JM	Aluminium RAL 9006	ZN	Zinc-plated
EW	Grey 9007	KB	Bright Chrome	ZQ	Bright Gold
FU	Gunmetal	KC	Matt Chrome	ZZ	Clear/Transparent
FV	Gunmetal V52	LD	Brown 8019		
GR	Zamak Raw	RO	Red		
HA	Brass-Plated	UT	T-Met 9007		
HH	Tropicalized	UZ	T-Met		
HL	Raw Brass	WA	Bronzed		
HX	Graphite	WI	Burnished		
IA	Grey	XD	Satin-finished Steel		



LIBRA H11



PATENTED





LIBRA H11

Suitable for suspended base units for all types of furniture.

Quick and easy installation through 4 holes to be pre-drilled on the side panel. Structural top and backside panel are not required.

Fixation on the side panel through M6 flat head screw or bespoke euro screw or, alternatively, simply slotting the hangers into the side holes with the version including pre-mounted bushes and screws.

Thanks to the slim side plate, it allows to fully and efficiently use the inner space.

Possibility to install it in pre-assembled cabinets.

Easy and intuitive installation and removal of the base unit.

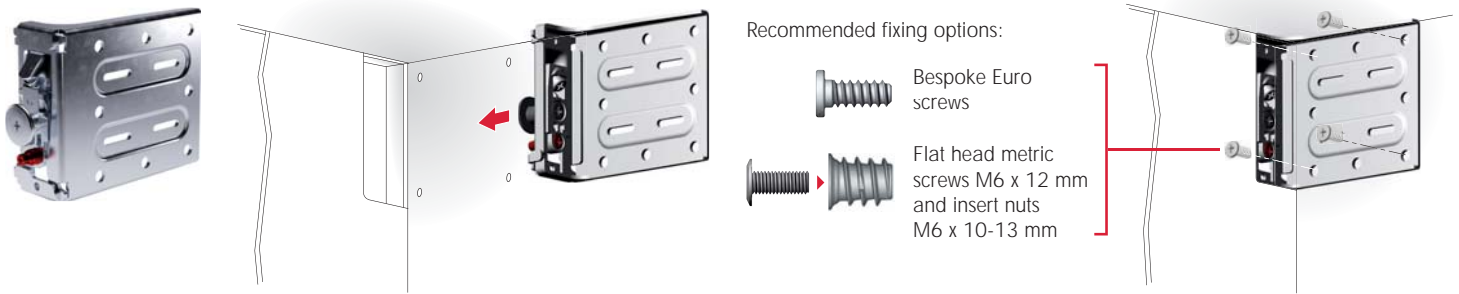
The adjustment body is easily accessible as the screwdriver works parallel to the side panel.

Patented anti-turnover device.

The integrated use of LIBRA WP13 is highly recommended.

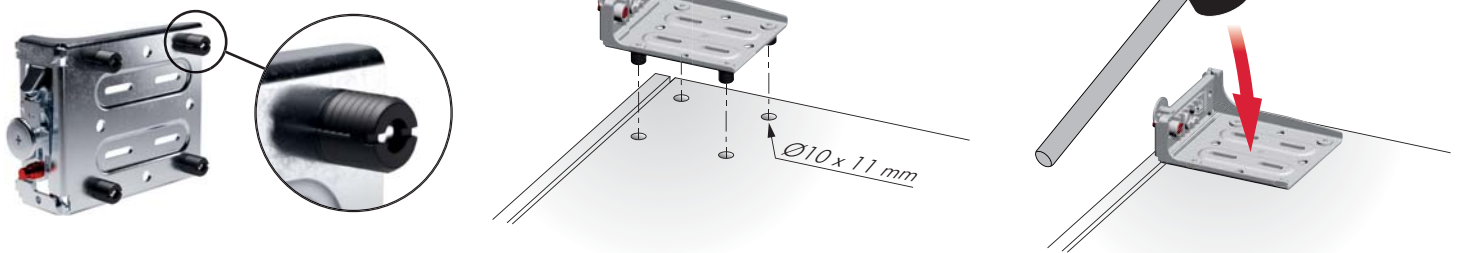


LIBRA H11 SCREW FIXING INSTALLATION



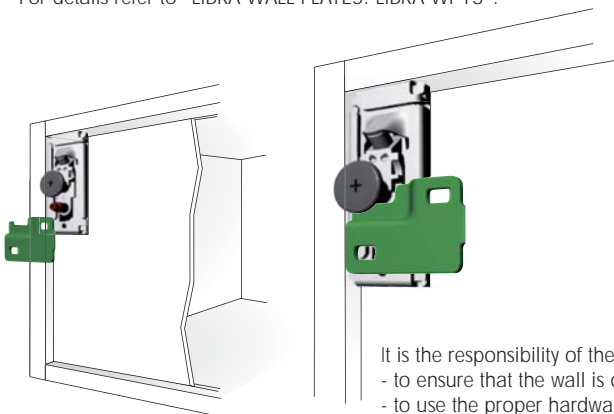
LIBRA H11 WITH PRE-MOUNTED BUSHES AND SCREWS INSTALLATION

Suitable for automatic assembly.



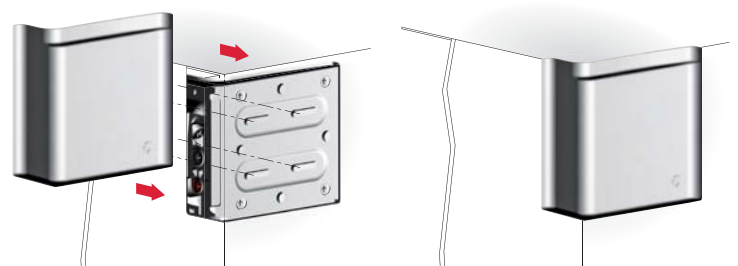
INSTALLATION ON THE WALL

- For details refer to "LIBRA WALL PLATES: LIBRA WP13".



OPTIONAL COVER CAP INSERTING

- For details refer to "LIBRA H11 ACCESSORIES".

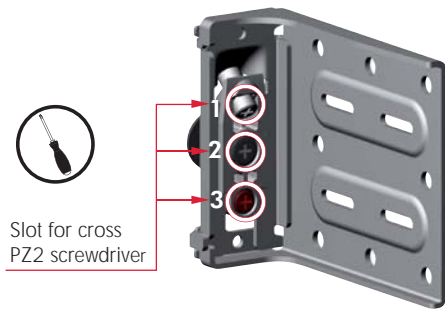


It is the responsibility of the customer:

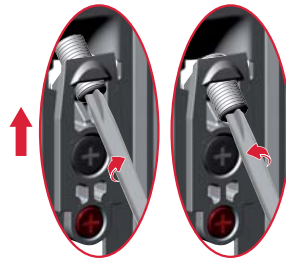
- to ensure that the wall is of a suitable quality to hold the unit fixing in place.
- to use the proper hardware fittings according to the construction of the wall.

For more specific information, please refer to the WARNINGS section at the end of the catalogue.

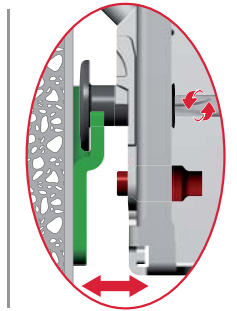
ADJUSTMENTS



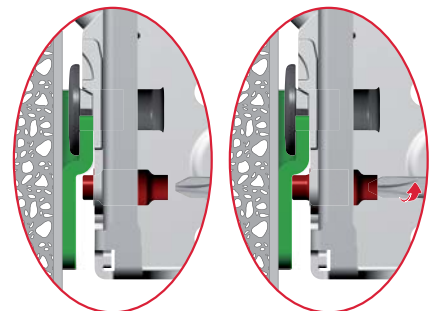
1
VERTICAL ADJUSTMENT
12 mm



2
IN-DEPTH ADJUSTMENT
10 mm



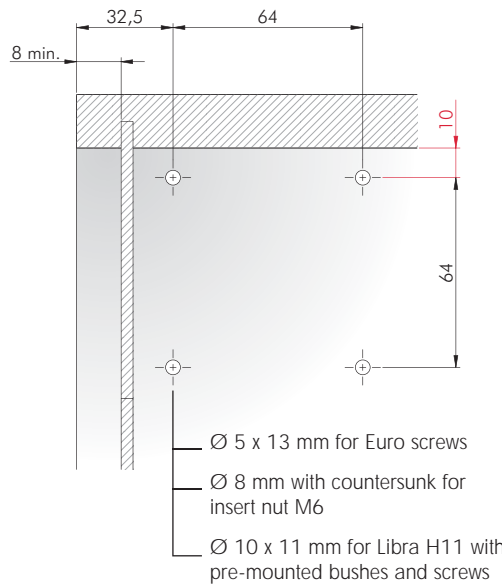
3
ANTI-TURNOVER LOCKING
Stop screwing the red bolt when
it touches the wall plate



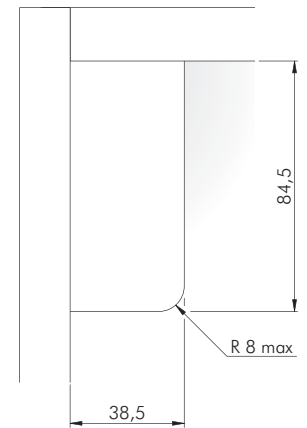
DRILLING PLAN WITHOUT COVER CAP



Side panel and service gap



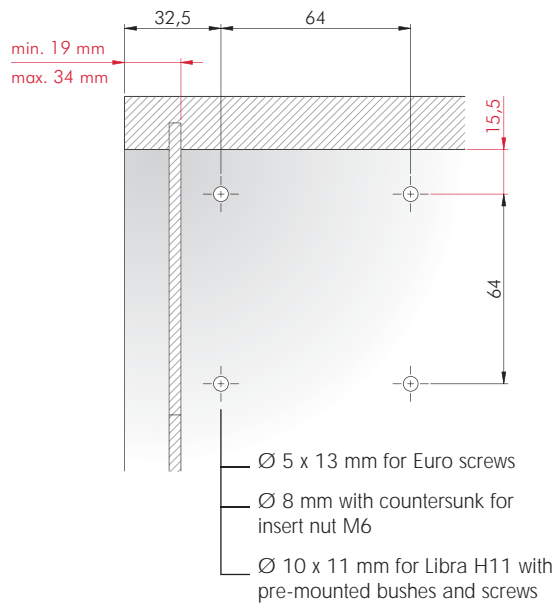
Back panel



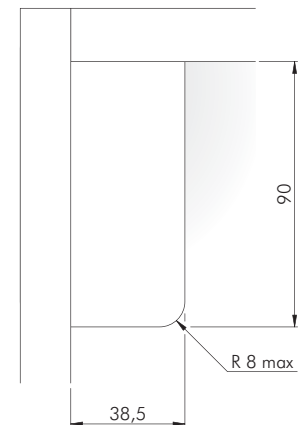
DRILLING PLAN WITH COVER CAP



Side panel and service gap

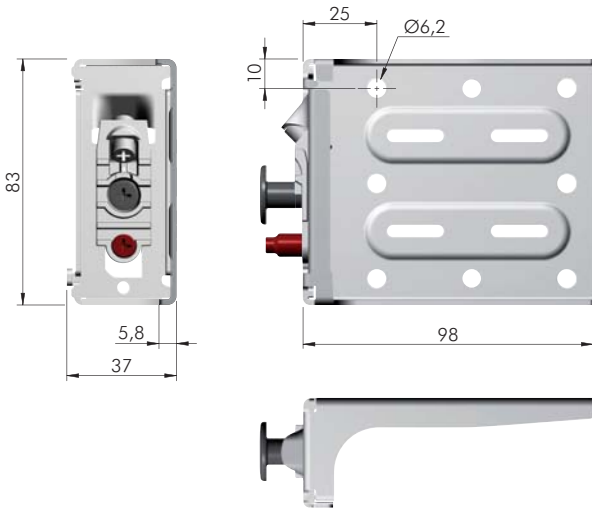


Back panel





LIBRA H11 SCREW FIXING

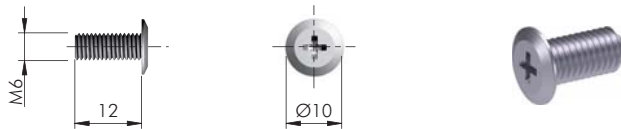


= PZ2			= 50 pcs.
123		(R)	
63425023ZN		(L)	
123			
63425013ZN			

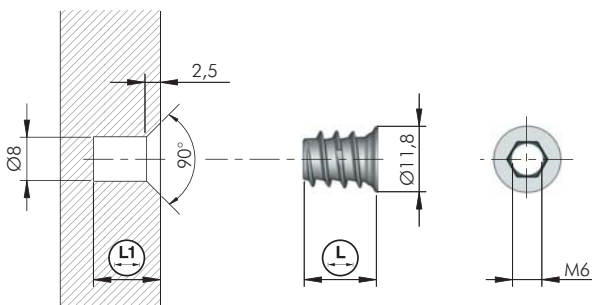
NOTE: for technical details about wall plates please refer to the related sections "LIBRA WALL PLATES" on page 12.64.



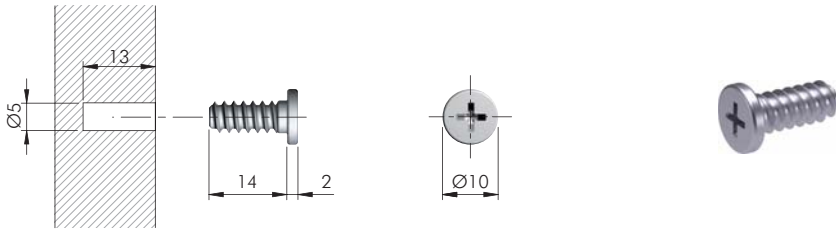
LIBRA H11 SCREW FIXING ACCESSORIES



= M6	= PZ2	
		= 5.000 pcs.
123		
20819020ZN		

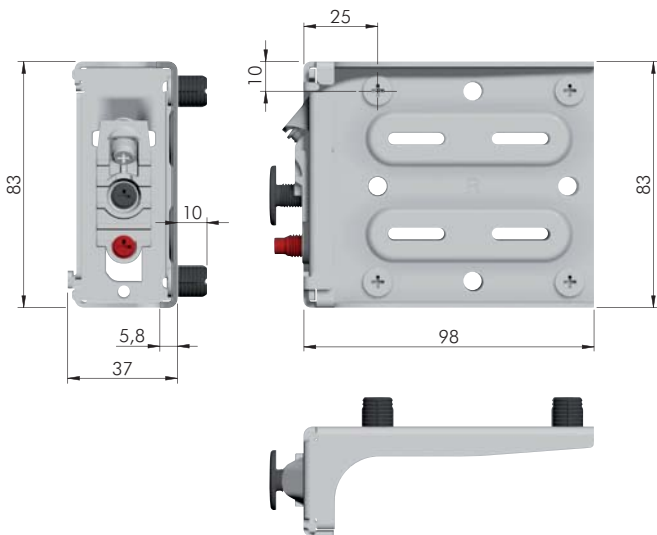


= Ø 8 mm	= M6	
	= S6	
		= 5.000 pcs.
123		
20102010GR	(L)	(L1)
	10	12
20102020GR	13	15



	= Ø 5 mm	
ST		
		= 5.000 pcs.
60507030ZN		

LIBRA H11 WITH PRE-MOUNTED BUSHES AND SCREWS



	= PZ2	
ZA	ST	EP
		= 50 pcs.
63425043ZN		
63425033ZN		

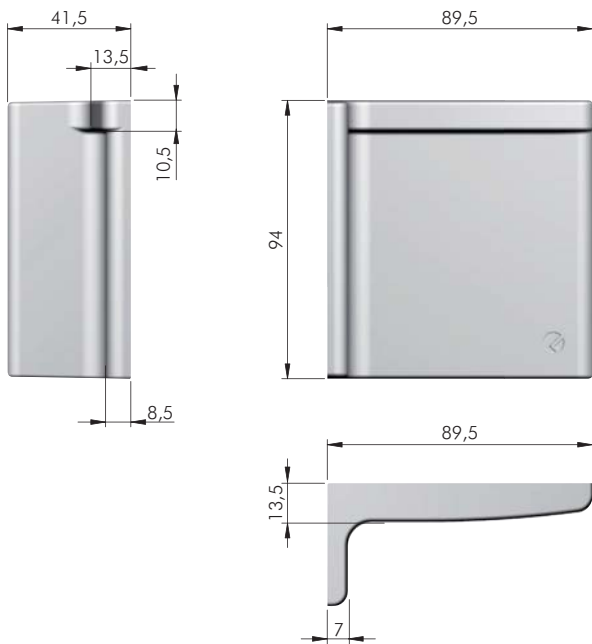
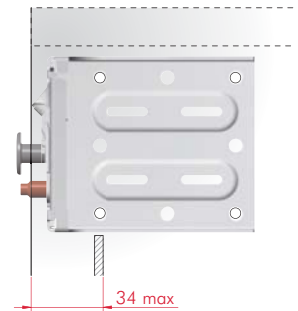
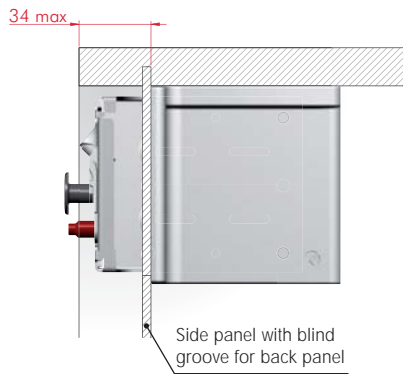
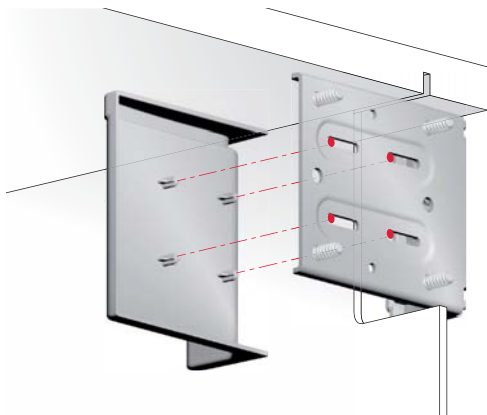
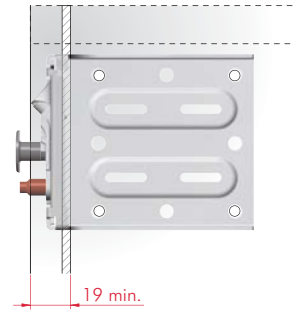
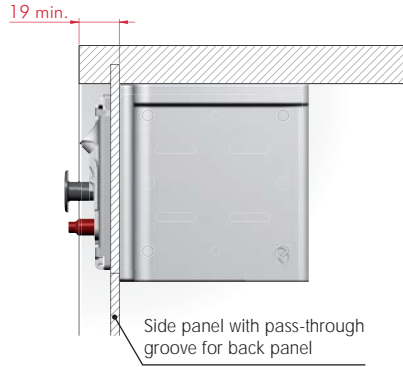
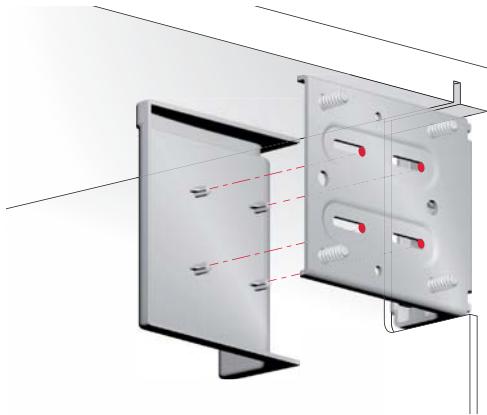
NOTE: for technical details about wall plates please refer to the related sections "LIBRA WALL PLATES" on page 12.64.





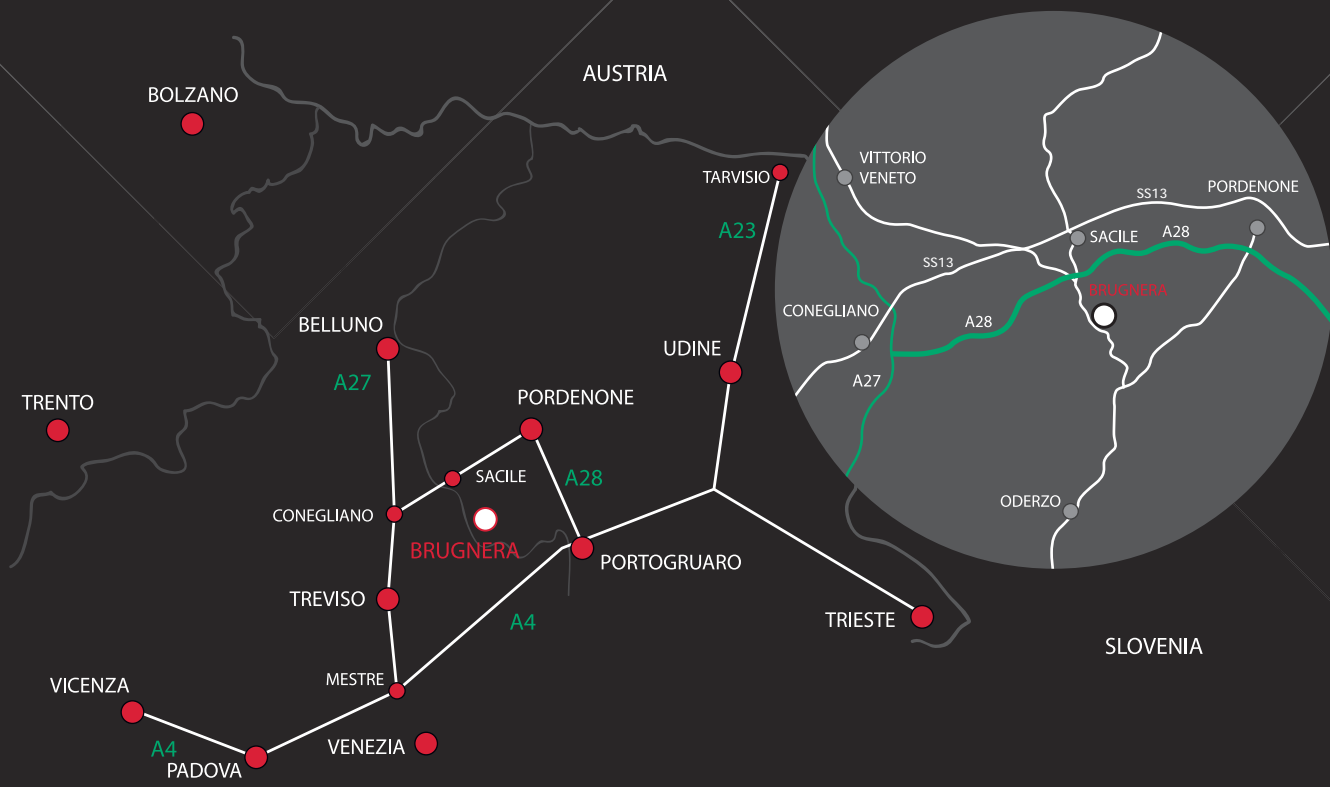
LIBRA H11 COVER CAP

INSTALLATION



EP		= 100 pcs.	
63490720AB			
63490710AB			
63490720EE			
63490710EE			
63490720IJ			
63490710IJ			





www.italianaferramenta.com

ITALIANA FERRAMENTA SRL - Viale Europa 17 I - 33070 Brugnera (PN)
 Tel. +39 0434 428211 Fax +39 0434 428242 E-mail: info@italianaferramenta.it