



- **Series N** • Sprung hinge
- **Series N** • Soft-close

For profile and thicker doors

SALICE

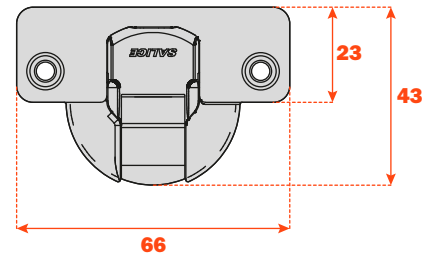
Series N • Technical features

For profile and thicker doors.

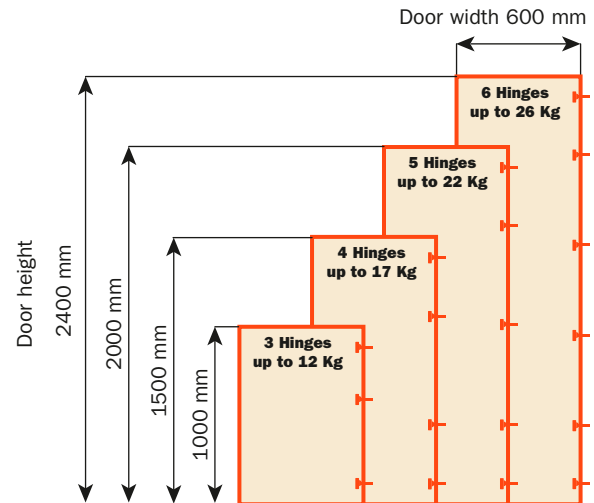
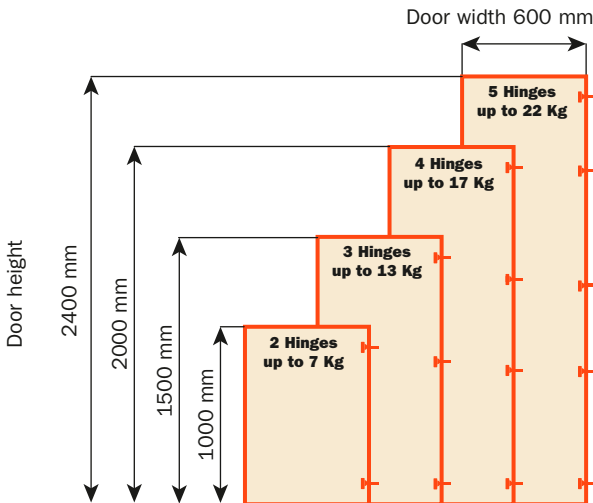
Dimensions of the \varnothing 40 mm cup.

All hinges are also available in titanium finish; to order Titanium please change the part number as shown in the example below.

Example: CNA7G99 = nickel-plated
CNA7G66 = titanium



Approx. number of hinges required according to the door dimension and weight.



Adjustments

Compensated side adjustment from -1.5 mm to +4.5 mm, constant "L" value of 1 mm (it does not change during side adjustment).
Height adjustment ± 2 mm.
Depth adjustment with Series 200 mounting plates +2.8 mm.
Depth adjustment with Domi mounting plates from -0.5 mm to +2.8 mm.

Mounting plates

Symmetrical and asymmetrical bright nickel plated steel or die-cast Series 200 mounting plates.
Snap-on assembly on Domi mounting plates.
Positioning with pre-determined stop on traditional Series 200 mounting plates.

N.B. : Use POZIDRIVE No. 2 screwdrivers for all screws.

Serie N • 94° opening



Technical information

For profile and thicker doors, max. 40 mm.

12 mm deep cup.

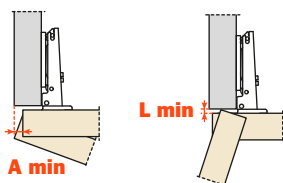
94° opening.

Possible drilling distance on the door (K): from 3 to 14 mm.

Compatible with all traditional Series 200 mounting plates and with all Domi snap-on mounting plates.

Space needed to open the door

	T=	20	21	22	23	24	25	26	27	28	29	30	31	32	33	34	35	36	37	38	39	40	L=
K=3	A=	0.3	0.4	0.6	0.7	0.9	1.0	1.2	1.4	1.7	1.9	2.2	2.4	2.9	3.8	4.7	5.7	6.6	7.6	8.6	9.5	10.5	0.0
K=4	A=	0.3	0.4	0.6	0.7	0.9	1.0	1.2	1.4	1.6	1.9	2.1	2.4	2.7	3.2	4.1	5.0	6.0	6.9	7.9	8.8	9.8	0.0
K=5	A=	0.3	0.4	0.6	0.7	0.8	1.0	1.2	1.4	1.6	1.8	2.1	2.4	2.7	3.0	3.5	4.4	5.3	6.2	7.2	8.1	9.1	0.0
K=6	A=	0.3	0.4	0.5	0.7	0.8	1.0	1.2	1.4	1.6	1.8	2.1	2.3	2.6	2.9	3.2	3.9	4.7	5.6	6.6	7.5	8.4	0.0
K=7	A=	0.3	0.4	0.5	0.7	0.8	1.0	1.2	1.4	1.6	1.8	2.0	2.3	2.6	2.9	3.2	3.5	4.2	5.1	6.0	6.9	7.8	0.0
K=8	A=	0.3	0.4	0.5	0.7	0.8	1.0	1.1	1.3	1.5	1.8	2.0	2.3	2.5	2.8	3.1	3.5	3.8	4.6	5.4	6.3	7.2	0.0
K=9	A=	0.3	0.4	0.5	0.7	0.8	1.0	1.1	1.3	1.5	1.7	2.0	2.2	2.5	2.8	3.1	3.4	3.8	4.2	5.0	5.8	6.7	0.0
K=10	A=	0.3	0.4	0.5	0.6	0.8	0.9	1.1	1.3	1.5	1.7	1.9	2.2	2.4	2.7	3.0	3.3	3.7	4.1	4.6	5.4	6.2	0.8
K=11	A=	0.3	0.4	0.5	0.6	0.8	0.9	1.1	1.3	1.5	1.7	1.9	2.2	2.4	2.7	3.0	3.3	3.6	4.0	4.4	5.0	5.8	1.8
K=12	A=	0.3	0.4	0.5	0.6	0.8	0.9	1.1	1.3	1.5	1.7	1.9	2.1	2.4	2.6	2.9	3.2	3.6	3.9	4.3	4.7	5.4	2.8
K=13	A=	0.3	0.4	0.5	0.6	0.8	0.9	1.1	1.2	1.4	1.6	1.9	2.1	2.3	2.6	2.9	3.2	3.5	3.9	4.2	4.6	5.1	3.8
K=14	A=	0.3	0.4	0.5	0.6	0.7	0.9	1.1	1.2	1.4	1.6	1.8	2.1	2.3	2.6	2.8	3.1	3.5	3.8	4.1	4.5	5.0	4.8



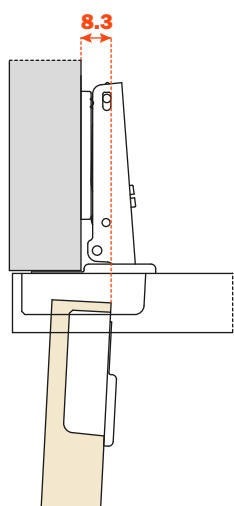
The above values are calculated on the assumption that the doors have square edges. They are reduced if the doors have radiussed edges.

Projection of the door

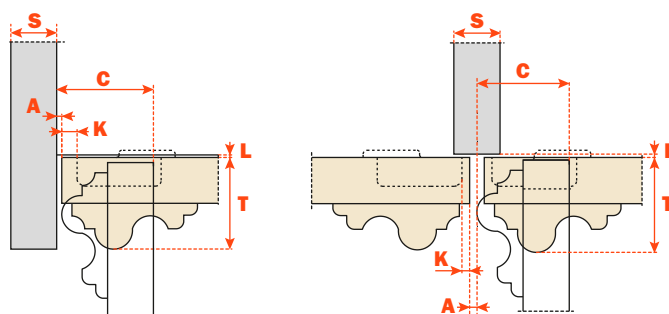
Projection of the door from the cabinet side at the max. opening. The figures are based on a straight arm hinge, H=0 mm thickness of mounting plate and K value = 3 mm.

“C” value

With this formula you can obtain the max. thickness of the moulded door that can be opened without touching adjacent carcass sides, doors or walls, whilst bearing in mind the above L-K-T values.



$$C = 27.3 + K + A$$



Packing

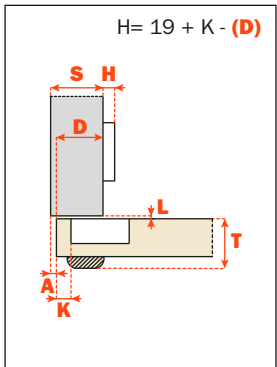
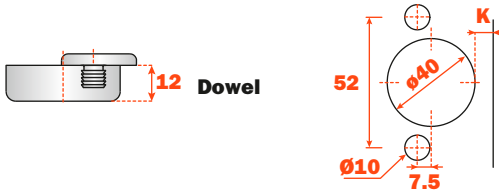
Arm 0 and arm 9 Boxes 300 pcs.
Pallets 7.200 pcs.

Arm 22 Boxes 150 pcs.
Pallets 3.600 pcs.

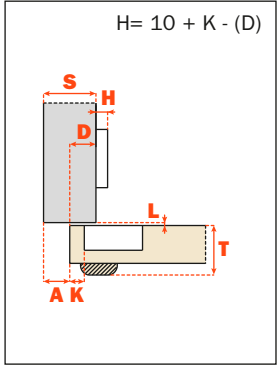
Use these formulas to determine the type of hinge arm, the drilling distance "K" and the height of the mounting plate "H" which is necessary to solve each application problem.

All hinges are also available in titanium finish; to order Titanium please change the part number as shown in the example below.

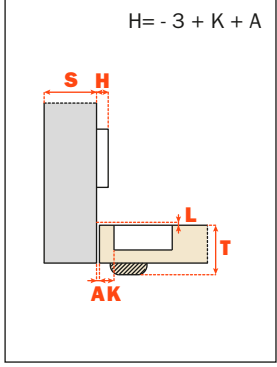
Esempio: CNA7G99 = Nickel-plated
CNA7G66 = Titanium



		Sprung hinge Nickel-plated finish		Unsprung hinge Nickel-plated finish	
Fixing					
	Wood screw		CNA7A99		CNA5A99
	Dowel		CNB7A99		CNB5A99



		Sprung hinge Nickel-plated finish		Unsprung hinge Nickel-plated finish	
Fixing					
	Wood screw		CNA7G99		CNA5G99
	Dowel		CNB7G99		CNB5G99



		Sprung hinge Nickel-plated finish		Unsprung hinge Nickel-plated finish	
Fixing					
	Wood screw		CNA7P99		CNA5P99
	Dowel		CNB7P99		CNB5P99

Silentia Series N • Technical features

For profile and thicker doors.

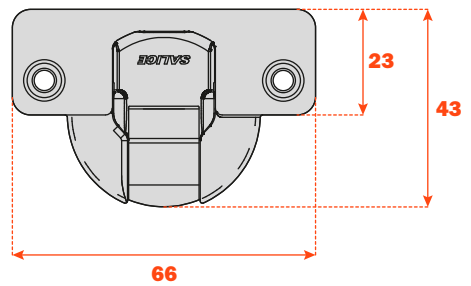
Hinges with adjustable integrated soft-close mechanism operated by twin silicone-oil dampers housed in the hinge cup.

The decelerating effect is adjusted by using a simple switch.

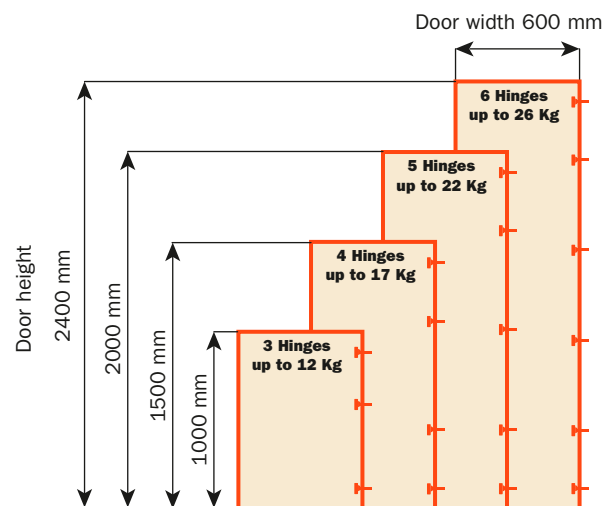
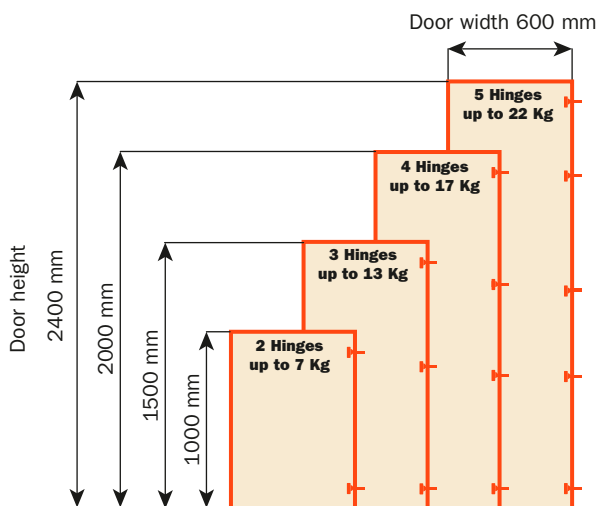
Dimensions of the Ø 40 mm cup.

All hinges are also available in titanium finish; to order Titanium please change the part number as shown in the example below.

Example: CNA7GE9 = nickel-plated
CNA7GE6 = titanium



Approx. number of hinges required according to the door dimension and weight.



Adjustments

Compensated side adjustment from -1.5 mm to +4.5 mm, constant "L" value of 1.5 mm (it does not change during side adjustment).
Height adjustment ±2 mm.
Depth adjustment with Series 200 mounting plates +2.8 mm.
Depth adjustment with Domi mounting plates from -0.5 mm to +2.8 mm.

Mounting plates

Symmetrical and asymmetrical bright nickel plated steel or die-cast Series 200 mounting plates.
Snap-on assembly on Domi mounting plates.
Positioning with pre-determined stop on traditional Series 200 mounting plates.

N.B. : Use POZIDRIVE No. 2 screwdrivers for all screws.

Silentia Series N • 94° opening



Technical information

Hinges with adjustable integrated soft-close mechanism operated by twin silicone-oil dampers housed in the hinge cup. The decelerating effect is adjusted by using a simple switch.

For profile and thicker doors, max. 40 mm.

15.5 mm deep cup.

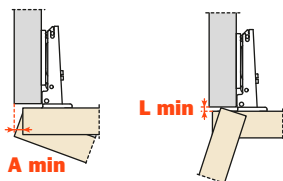
94° opening.

Possible drilling distance on the door (K): from 3 to 14 mm.

Compatible with all traditional Series 200 mounting plates and with all Domi snap-on mounting plates.

Space needed to open the door

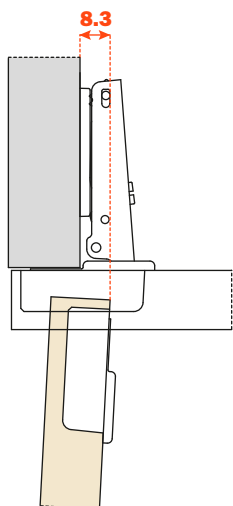
	T=	20	21	22	23	24	25	26	27	28	29	30	31	32	33	34	35	36	37	38	39	40	L=
K=3	A=	0.3	0.4	0.6	0.7	0.9	1.0	1.2	1.4	1.7	1.9	2.2	2.4	2.9	3.8	4.7	5.7	6.6	7.6	8.6	9.5	10.5	0.0
K=4	A=	0.3	0.4	0.6	0.7	0.9	1.0	1.2	1.4	1.6	1.9	2.1	2.4	2.7	3.2	4.1	5.0	6.0	6.9	7.9	8.8	9.8	0.0
K=5	A=	0.3	0.4	0.6	0.7	0.8	1.0	1.2	1.4	1.6	1.8	2.1	2.4	2.7	3.0	3.5	4.4	5.3	6.2	7.2	8.1	9.1	0.0
K=6	A=	0.3	0.4	0.5	0.7	0.8	1.0	1.2	1.4	1.6	1.8	2.1	2.3	2.6	2.9	3.2	3.9	4.7	5.6	6.6	7.5	8.4	0.0
K=7	A=	0.3	0.4	0.5	0.7	0.8	1.0	1.2	1.4	1.6	1.8	2.0	2.3	2.6	2.9	3.2	3.5	4.2	5.1	6.0	6.9	7.8	0.0
K=8	A=	0.3	0.4	0.5	0.7	0.8	1.0	1.1	1.3	1.5	1.8	2.0	2.3	2.5	2.8	3.1	3.5	3.8	4.6	5.4	6.3	7.2	0.0
K=9	A=	0.3	0.4	0.5	0.7	0.8	1.0	1.1	1.3	1.5	1.7	2.0	2.2	2.5	2.8	3.1	3.4	3.8	4.2	5.0	5.8	6.7	0.0
K=10	A=	0.3	0.4	0.5	0.6	0.8	0.9	1.1	1.3	1.5	1.7	1.9	2.2	2.4	2.7	3.0	3.3	3.7	4.1	4.6	5.4	6.2	0.8
K=11	A=	0.3	0.4	0.5	0.6	0.8	0.9	1.1	1.3	1.5	1.7	1.9	2.2	2.4	2.7	3.0	3.3	3.6	4.0	4.4	5.0	5.8	1.8
K=12	A=	0.3	0.4	0.5	0.6	0.8	0.9	1.1	1.3	1.5	1.7	1.9	2.1	2.4	2.6	2.9	3.2	3.6	3.9	4.3	4.7	5.4	2.8
K=13	A=	0.3	0.4	0.5	0.6	0.8	0.9	1.1	1.2	1.4	1.6	1.9	2.1	2.3	2.6	2.9	3.2	3.5	3.9	4.2	4.6	5.1	3.8
K=14	A=	0.3	0.4	0.5	0.6	0.7	0.9	1.1	1.2	1.4	1.6	1.8	2.1	2.3	2.6	2.8	3.1	3.5	3.8	4.1	4.5	5.0	4.8



The above values are calculated on the assumption that the doors have square edges. They are reduced if the doors have radiussed edges.

Projection of the door

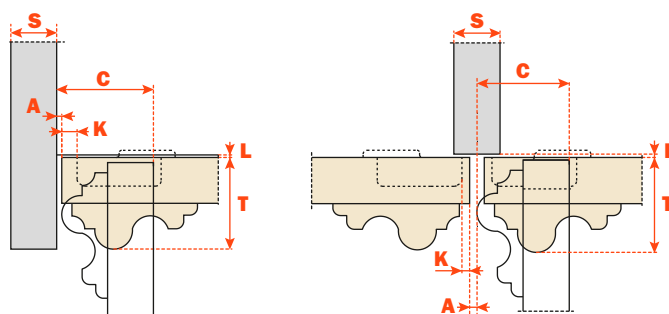
Projection of the door from the cabinet side at the max. opening. The figures are based on a straight arm hinge, H=0 mm thickness of mounting plate and K value = 3 mm.



“C” value

With this formula you can obtain the max. thickness of the moulded door that can be opened without touching adjacent carcase sides, doors or walls, whilst bearing in mind the above L-K-T values.

$$C = 27.3 + K + A$$



Packing

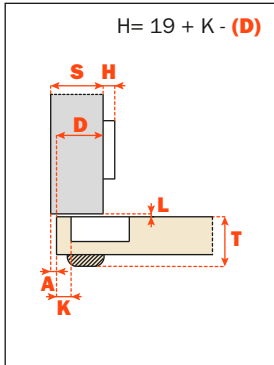
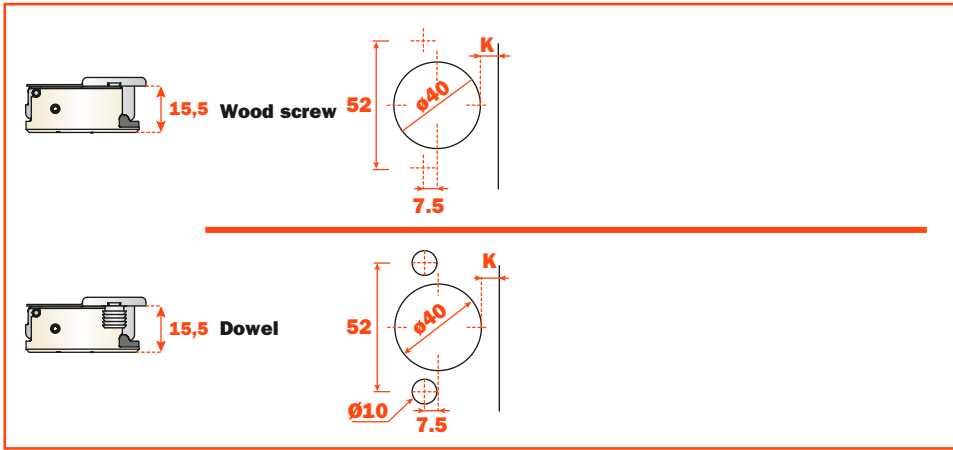
Arm 0 and arm 9 Boxes 300 pcs.
Pallets 7.200 pcs.

Arm 22 Boxes 150 pcs.
Pallets 3.600 pcs.

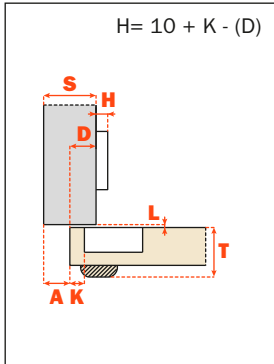
Use these formulas to determine the type of hinge arm, the drilling distance "K" and the height of the mounting plate "H" which is necessary to solve each application problem.

All hinges are also available in titanium finish; to order Titanium please change the part number as shown in the example below.

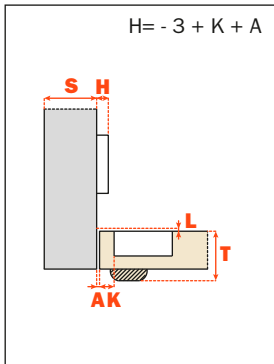
Esempio: CNA7GE9 = nickel-plated
CNA7GE6 = titanium



Fixing		Soft close Nickel-plated finish			
		52			
	Wood screw			CNA7AE9	
	Dowel			CNB7AE9	

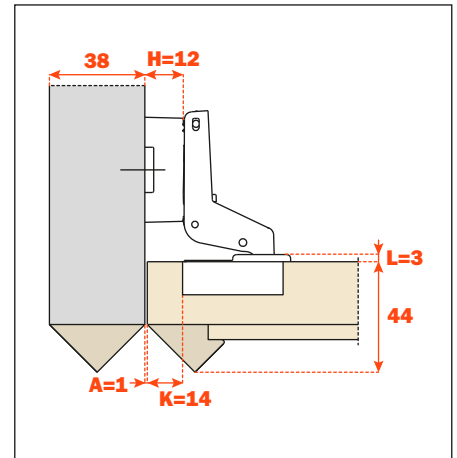
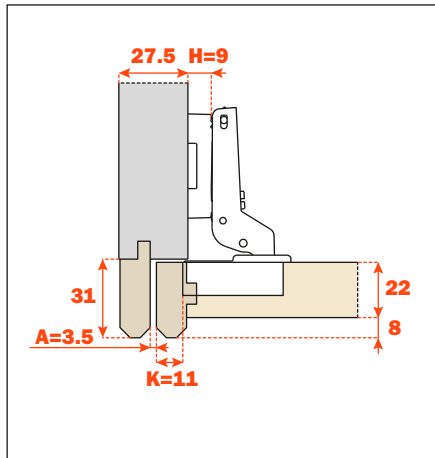
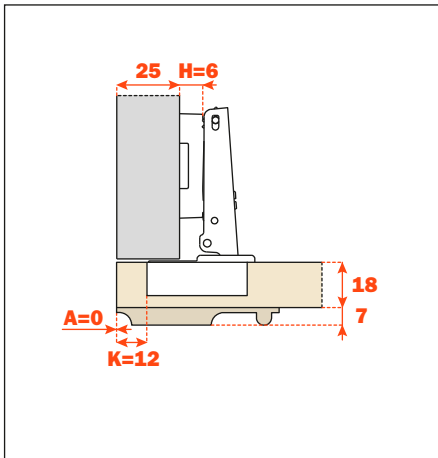
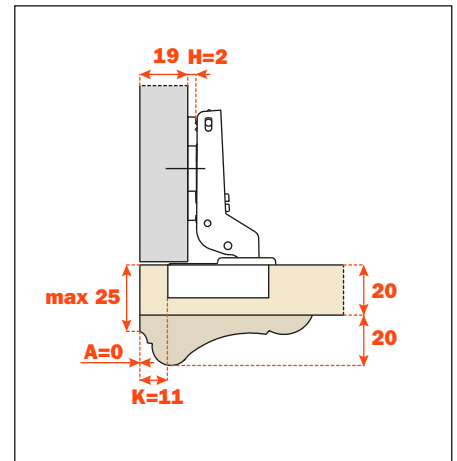
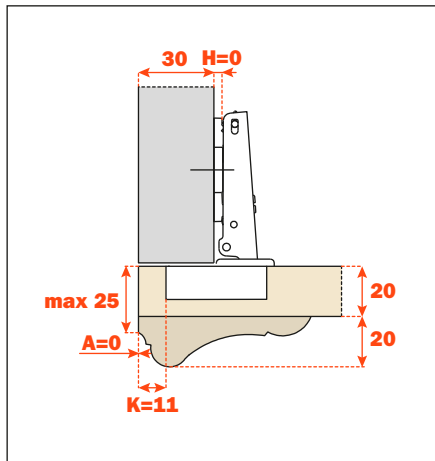
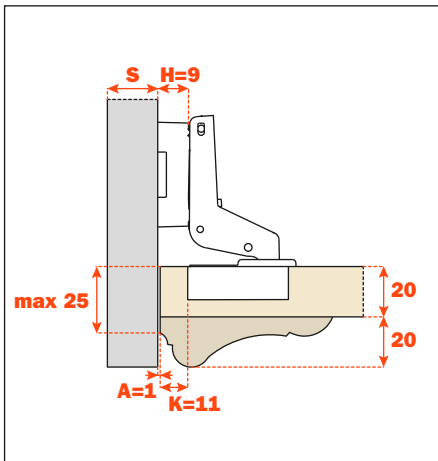
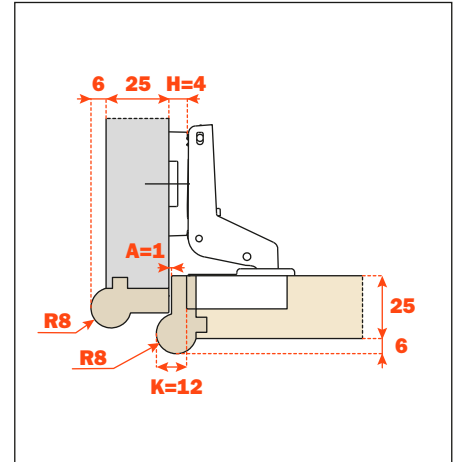
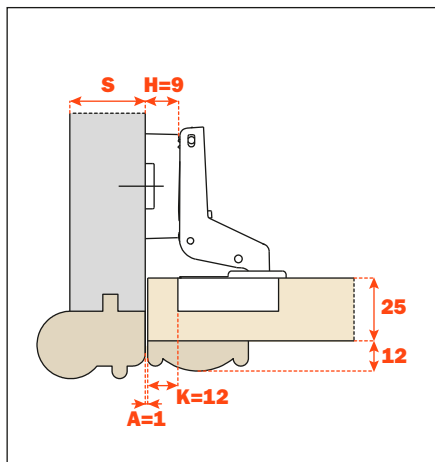
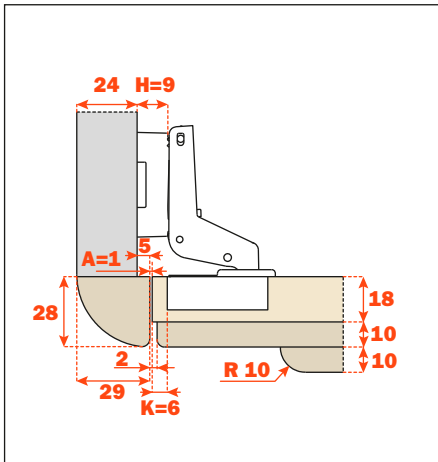
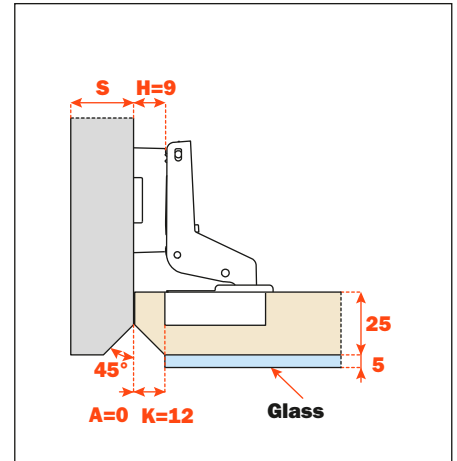
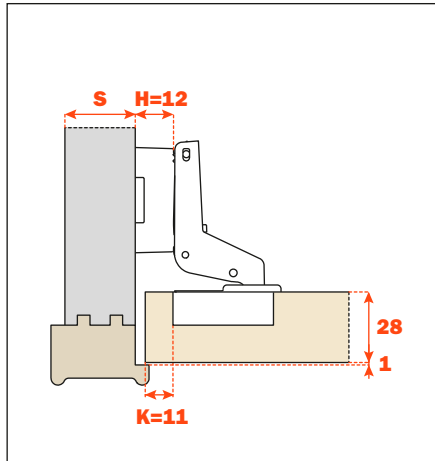
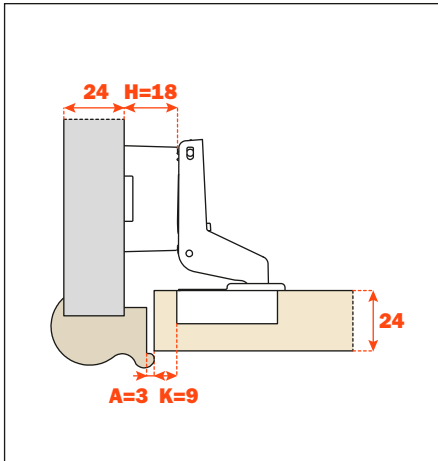


Fixing		Soft close Nickel-plated finish			
		52			
	Wood screw			CNA7GE9	
	Dowel			CNB7GE9	



Fixing		Soft close Nickel-plated finish			
		52			
	Wood screw			CNA7PE9	
	Dowel			CNB7PE9	

Series N - Assembly examples





Accessories

Accessories**Screw cover caps.****S2BX83H_**

Symmetrical steel screw cover cap.

S2BX83H9_ _ = Nickel-plated, can be personalised on request (screen printed)

S2BX83H6 = Titanium
NOT personalised

S2MX83H_

Symmetrical steel screw cover cap. With personalised embossed logo on request.

S2MX83H9_ _ = Nickel-plated

S2MX83H6_ _ = Titanium

Flange cover caps.**SNXX85A_**

Plastic flange cover cap. NOT personalised.

SNXX85A9 = Nickel-plated

SNXX85A6 = Titanium

ARTURO SALICE S.p.A.

VIA PROVINCIALE NOVEDRATESE, 10
22060 NOVEDRATE (COMO) ITALIA
TEL. 031 790424 - FAX 031 791508
info.salice@salice.com - www.salice.com

DEUTSCHE SALICE GMBH

RUDOLF DIESEL STR. 10
74382 NECKARWESTHEIM
TEL. 07133 9807-0
FAX. 07133 9807-16
info.salice@deutschesalice.de
www.salice.com

DEUTSCHE SALICE GMBH

VERKAUFSBÜRO NORD
RINGSTRASSE 36/A30 CENTER
32584 LÖHNE
TEL. 05731 15608-0
FAX. 05731 15608-10
vknord@deutschesalice.de
www.salice.com

SALICE UK LTD.

KINGFISHER WAY
HINCHINGBROOKE BUSINESS PARK
HUNTINGDON CAMBS PE 29 6FN
TEL. 01480 413831
FAX. 01480 451489
info.salice@saliceuk.co.uk
www.salice.com

SALICE FRANCE S.A.R.L.

285 RUE DE GOA ZAC LES 3 MOULINS
06600 ANTIBES
TEL. 0493 330069
FAX. 0493 330141
info.salice@salicefrance.com
www.salice.com

SALICE ESPAÑA, S.L.U.

C/ AIGUAFREDA 4, P.I. AMETLLA PARK
08480 L'AMETLLA DEL VALLÈS (BARCELONA)
TEL. 0034 938 46 88 61
info.salice@saliceespana.es
www.salice.com

SALICE PORTUGAL UNIP. LDA

SHOWROOM:

TV SÁ E MELO 161 FA
4470-116 MAIA - PORTO
TEL: 00351 224 154 221
Info@saliceportugal.pt
www.salice.com

ARMAZÉM:

VIA ROTA DOS MÓVEIS I 399
4585-325 GANDRA

SALICE CHINA (SHANGHAI) CO. LTD.

1st FLOOR, B1 BLDG 928 MINGZHU ROAD
XUJING, QINGPU DISTRICT
SHANGHAI 201702 - CHINA
TEL. 021 3988 9880
FAX. 021 3988 9882
info.salice@salicechina.com
www.salicechina.com

SALICE INDIA PVT. LTD.

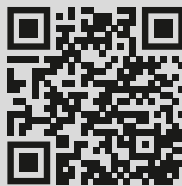
1001 & 1002, 10TH FLOOR,
CENTRUM, PLOT NO. C-3,
OPP. WAGLE PRABHAG SAMITI OFFICE,
MIDC AREA, WAGLE INDUSTRIAL ESTATE,
THANE - 400604, MAHARASHTRA
TEL. 022 20812050
info@saliceindia.com
www.salice.com

SALICE CANADA INC.

3500 RIDGEWAY DRIVE,
UNIT#1
MISSISSAUGA, ONTARIO, L5L 0B4
TEL. 905 820 8787
FAX. 905 820 7226
info.salice@salicecanada.com
www.salicecanada.com

SALICE AMERICA INC.

2123 CROWN CENTRE DRIVE
CHARLOTTE NC. 28227
TEL. 704 841 7810
FAX. 704 841 7808
info.salice@saliceamerica.com
www.saliceamerica.com



Digital contents