

Mechanical Push

The PUSH-System is a self-opening system for the doors of all types of handleless furniture.

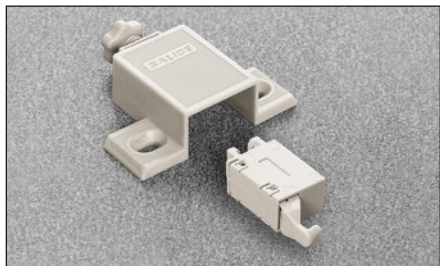
It consists of a series of self-opening hinges, release devices that can be fitted to the top, base or side panel of the cabinet, and retaining catches to be fitted to the back of the door.

The retaining catches can be pressure-fixed or screw-fixed.

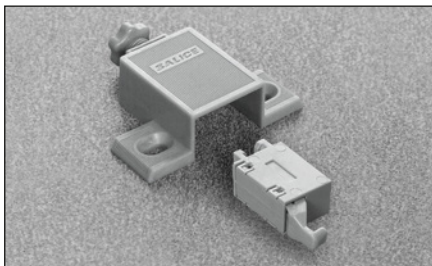
For doors over 1600 mm in height, we suggest that you use two mechanical release catches.



DP4SNB - beige



DP4SNG - grey

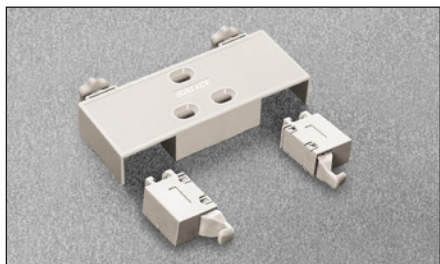


Single adapter with depth and sideways adjustment and release device. Without assembly stop device.

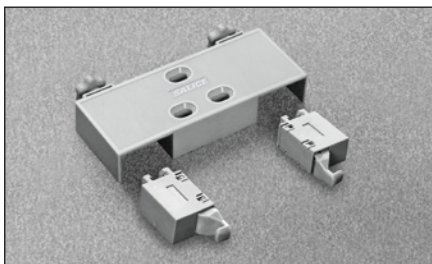
Packing

Boxes 300 pcs.

DP5SNB - beige



DP5SNG - grey



Double adapter with depth and sideways adjustment and release devices. Without assembly stop device.

Packing

Boxes 150 pcs.

N.B.: Drilling patterns at page 14.

Technical information on the adjustable mechanical Push

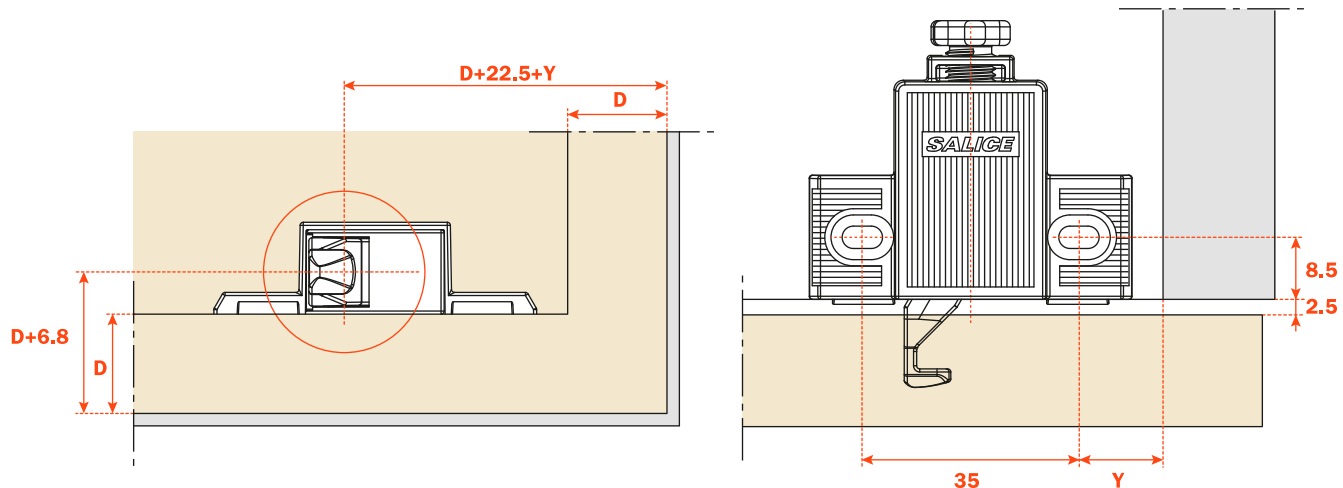
The adjustable Push consists of a release device and a screw-fixed adapter which have been developed to improve the locating action of the system.

The adjustable Push now has a depth adjustment facility with a range of -1 mm to + 2.5 mm which is controlled by a small adjuster wheel located at the back of the adapter.

In addition, the adapter has a sideways adjustment facility of ± 2 mm. This is achieved by loosening the two fixing screws and adjusting the position of the adapter using the elongated holes. Finally, the screws must be retightened.



Push with depth and sideways adjustment



D = Door overlay on side and top of the cabinet
Y = min. 8.5 mm

Double Push with depth and sideways adjustment

