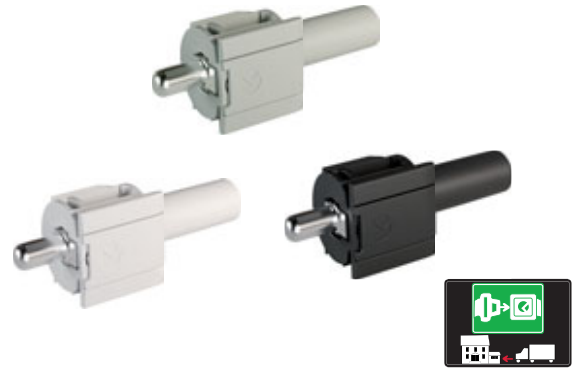




KINTAI

KINTAI is the new shelf support developed by Italiana Ferramenta with minimal and elegant design, available in three colours to satisfy any matching needs according to the finish of the shelf.

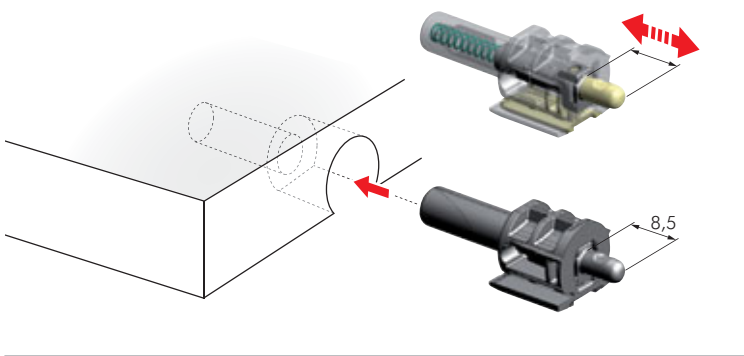
Suitable for shelves with minimum 16mm thickness, **KINTAI** grants a loading capacity of 70 Kg per shelf (internal test according to norm UNI 16337:2013). The 5 mm pin with spring system allows an easy and fast positioning of the inner shelves and the delivery of the cabinet with all shelves already assembled. The shelves can be repositioned with few manual operations, simply by moving the plastic cover and clicking in and out the pin of **KINTAI**. The installation requires an easy edge boring of the panel with a dedicated drill bit. **KINTAI** is also conceived for automatic assembly.



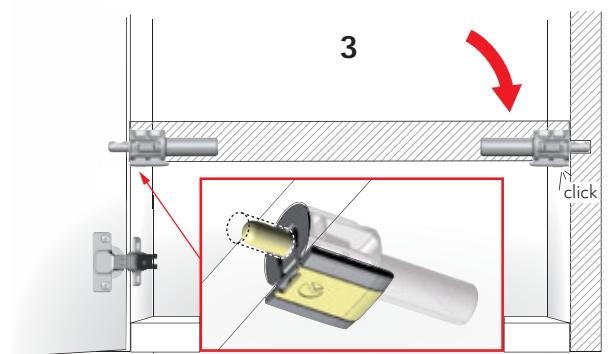
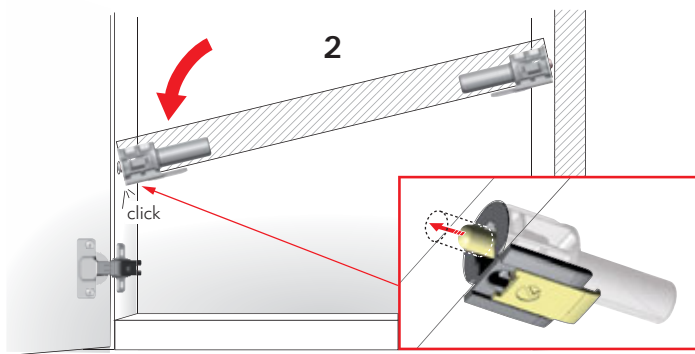
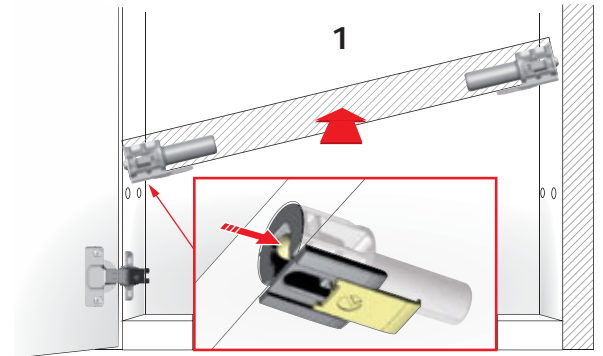
16 mm min.

Certificates available on request.

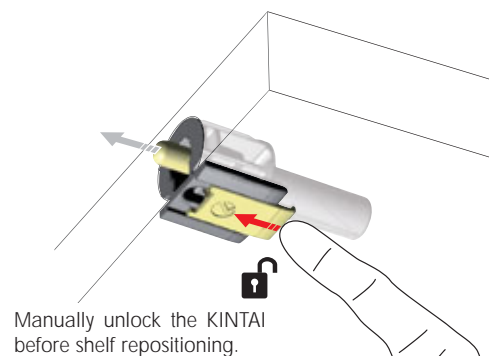
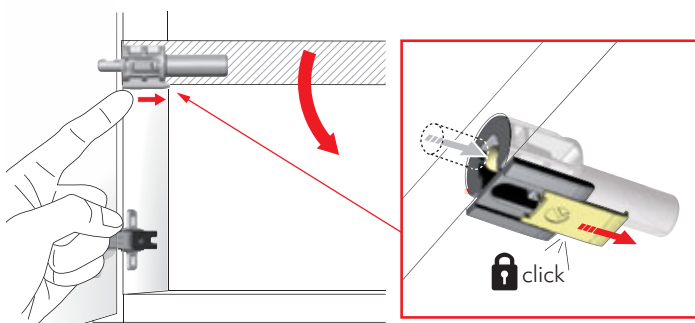
INSTALLATION



SHELF INSTALLATION



SHELF REMOVAL FOR NEW REPOSITIONING



Manually unlock the KINTAI before shelf repositioning.