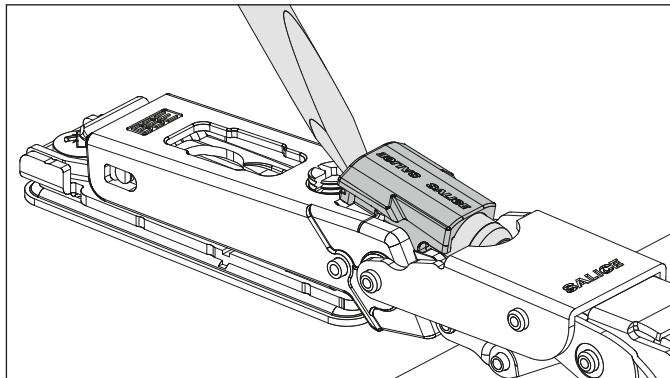


Disassembly and assembly instructions

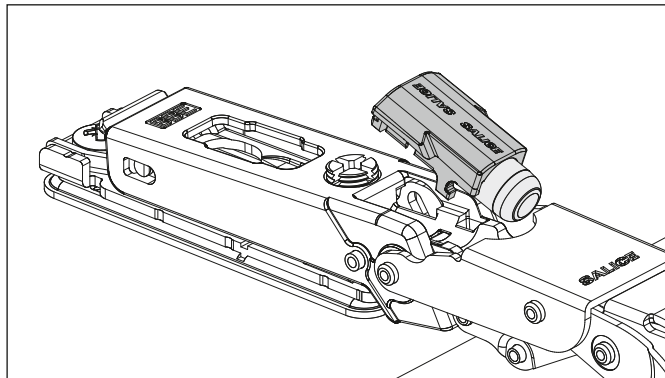
Disassembly of the Smove.

It is possible to convert the hinges with integrated soft-close into sprung hinges by replacing the Smove with the cover.

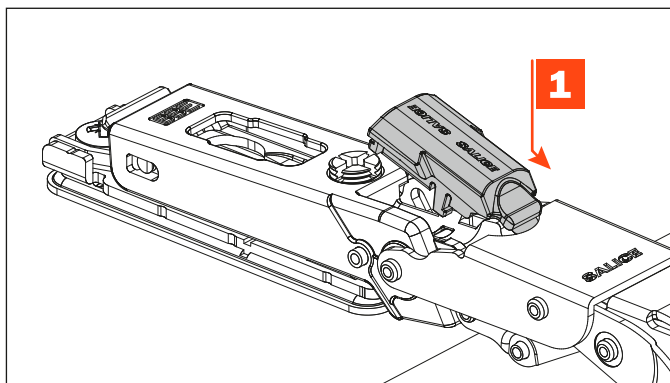
Lift the Smove using a flat-blade screwdriver.



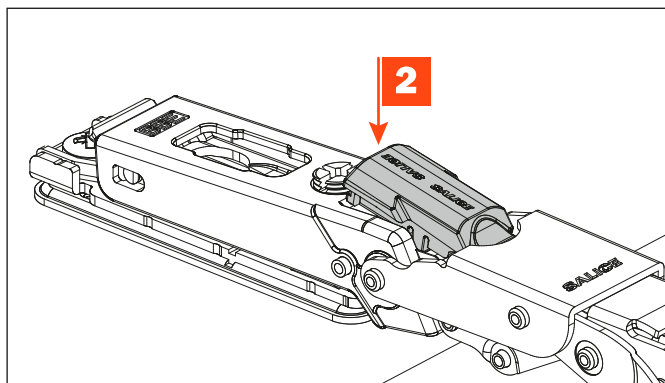
Remove the Smove from the hinge arm.



Insert the cover frontally.



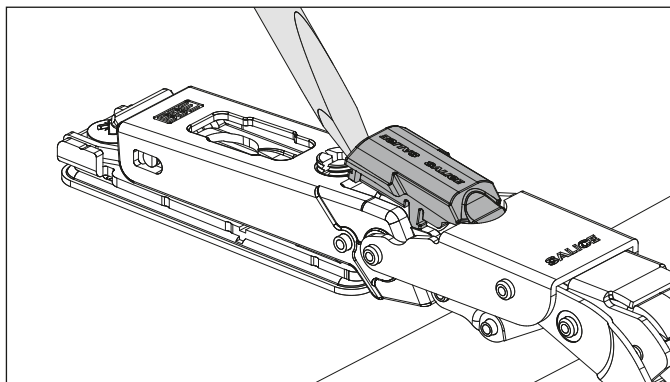
Press lightly on the back to fix in position.



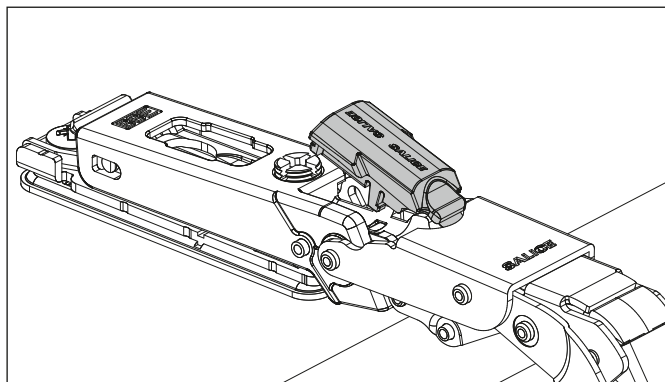
Disassembly of the cover.

It is possible to convert the sprung hinges into hinges with integrated soft-close by replacing the cover with the Smove.

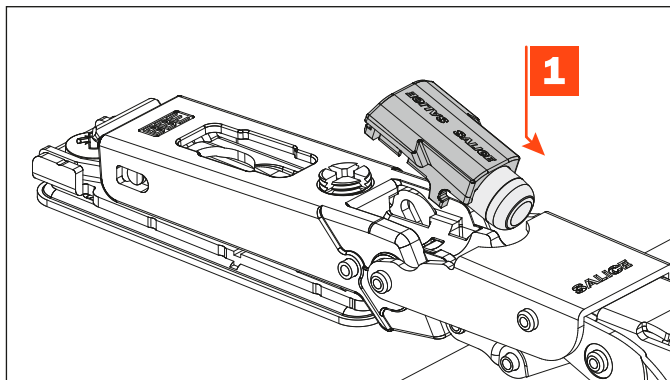
Lift the cover using a flat-blade screwdriver.



Remove the cover.



Insert the Smove frontally.



Press lightly on the back to fix in position.

