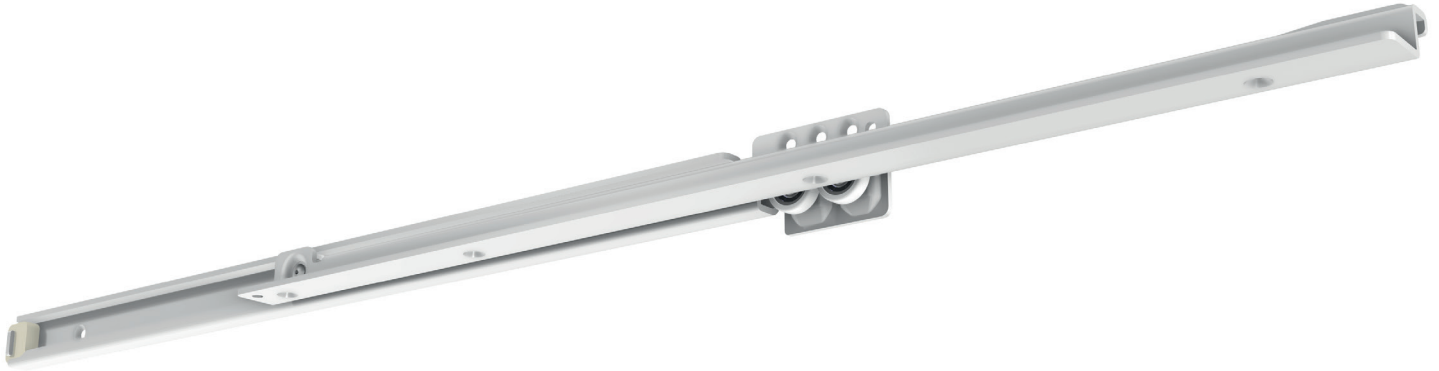


FR 216

SLIDE TYPE:	Regular-Extension Drawer Slide
MOUNTING:	Bottom Mount

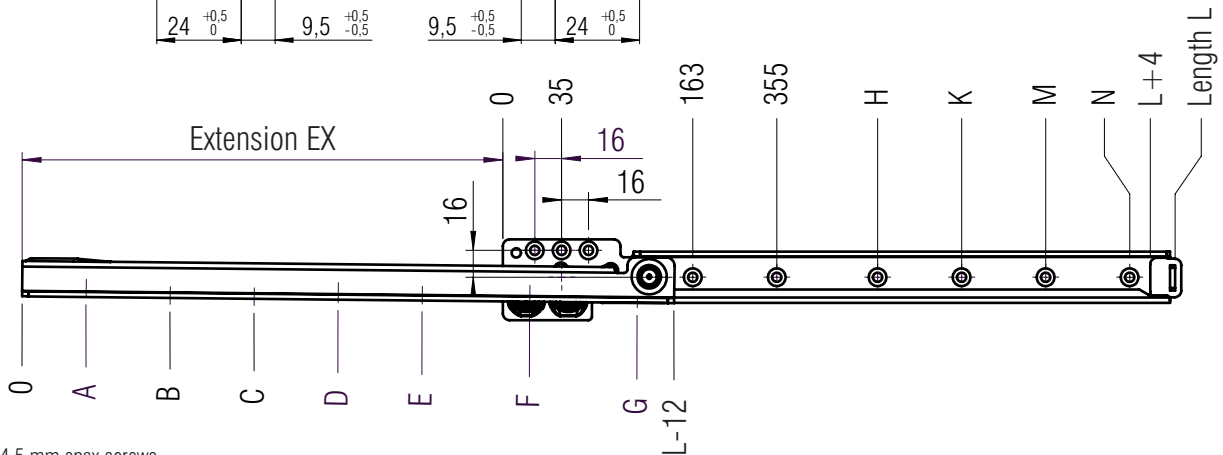
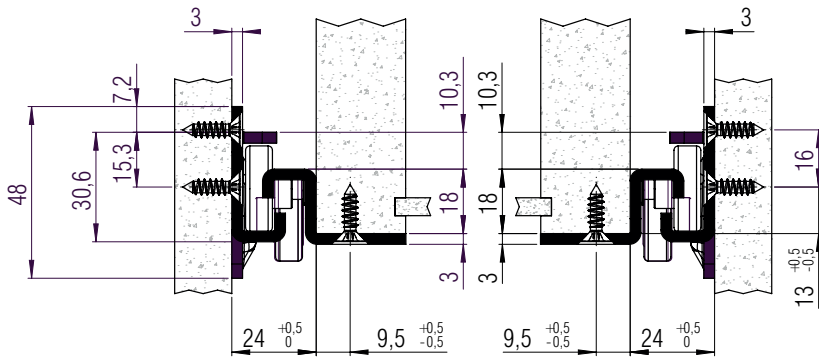
WIDTH:	24 mm
LOAD CAPACITY:	dynamic up to 100 kg



MATERIAL: white aluminum or graphite black powder coated or galvanized

FEATURES: delrin* encased steel ball bearings

- SPECIFICATIONS & NOTES:**
- ▶ specially shaped steel ball bearings provide excellent and quiet running even under the heaviest loads
 - ▶ return stop for the fully retracted unit
 - ▶ double-sided captive profile
 - ▶ soft rubber back stop
- ① compatible with full-extension unit FR 7180
- ② „conductive“ version also available



screw holes for 4,5 mm spax screws

L mm	EX mm	A mm	B mm	C mm	D mm	E mm	F mm	G mm	H mm	K mm	M mm	N mm	Weight per pair (kg)	Order No. galvanized	Order No. graphite black	Order No. white aluminum
600	460	54	246	438	566				547				3,37	*	*	▶ 4001
650	500	40	296	488	616				611				3,64	*	*	*
700	540	58	186	346	538	666			515	643			3,89	*	*	▶ 4003
750	580	76	204	396	588	716			547	675			4,16	*	*	*
800	620	62	190	446	638	766			611	739			4,42	*	*	▶ 4005
850	660	80	240	496	688	816			611	771			4,69	*	*	*
900	700	66	290	546	738	866			611	835			4,94	*	*	▶ 4007
950	740	52	340	596	788	916			611	899			5,21	*	*	*
1000	780	70	390	646	838	966			643	931			5,47	*	*	▶ 4009
1050	820	56	184	440	696	888	1016		643	931			5,74	*	*	*
1100	860	74	170	490	746	938	1066		643	931	1059		6,00	*	*	*
1150	900	60	220	540	796	988	1116		643	931	1091		6,27	*	*	*
1200	940	46	270	590	846	1038	1166		643	931	1155		6,52	*	*	▶ 4013
1250	970	64	320	640	896	1088	1216		643	931	1187		6,79	*	*	*
1300	1010	50	178	370	690	946	1138	1266	643	931	1219		7,05	*	*	*
1350	1050	68	196	420	740	996	1188	1316	643	931	1219		7,32	*	*	*
1400	1080	54	214	470	790	1046	1238	1366	643	931	1219	1347	7,58	*	*	*
1450	1120	40	264	520	840	1096	1288	1416	643	931	1219	1379	7,85	*	*	*
1500	1160	58	314	570	890	1146	1338	1466	643	931	1219	1443	7,49	*	*	▶ 4019

Packing Unit: 5 sets per box; 800 - 1.000 mm: 4 sets per box; 1.050 - 1.500 mm: 2 sets per box

▶ prompt delivery * on request