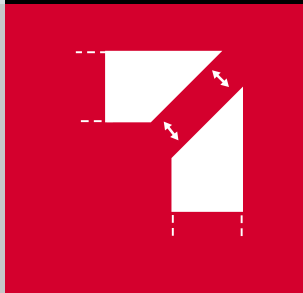


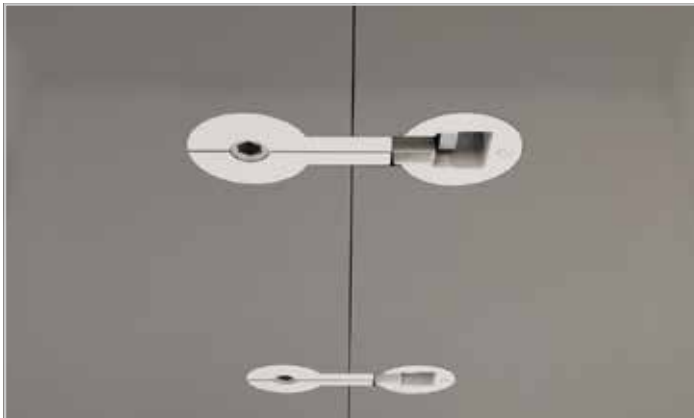


WORKTOP CONNECTORS



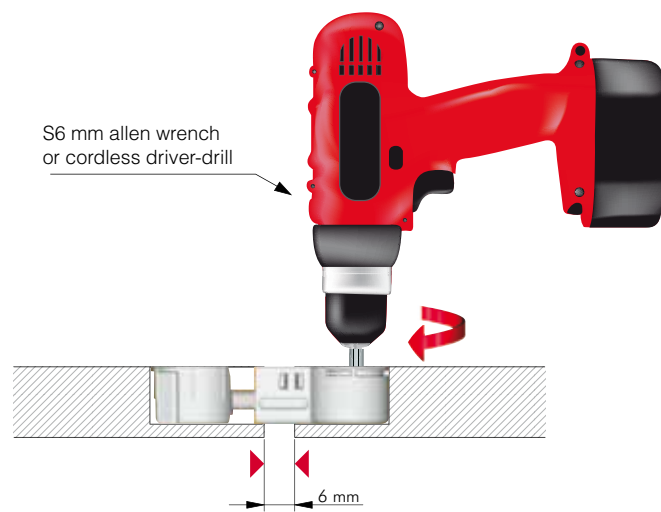
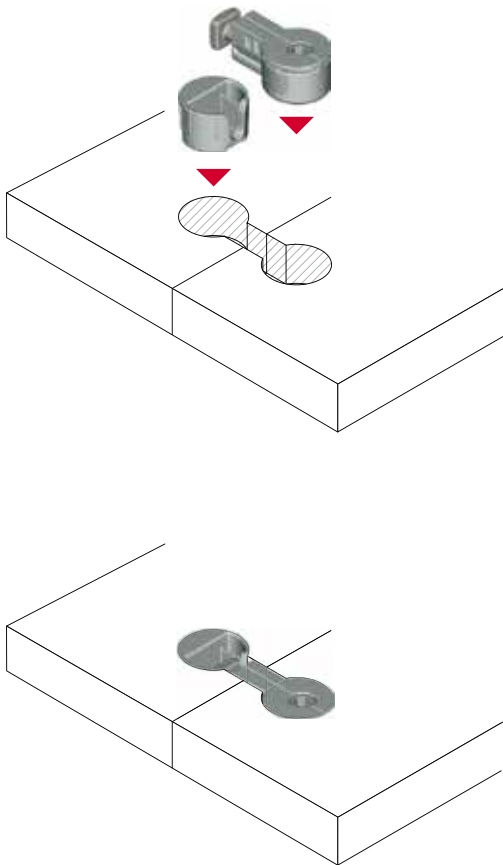


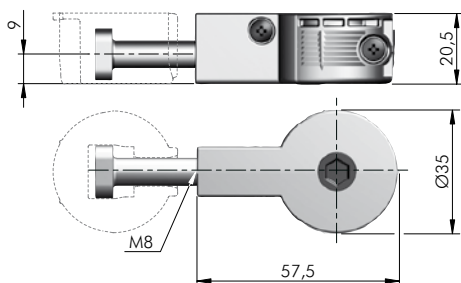
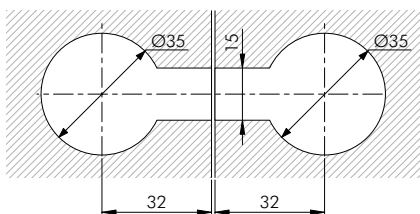
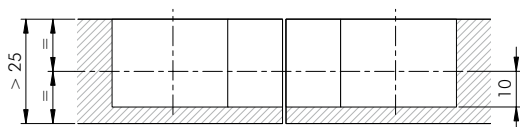
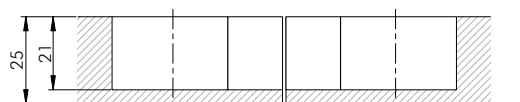
QUICK



25 mm min.

UNI 9429/89
Tested in accordance with CATAS procedures





= Ø 35 mm = S6

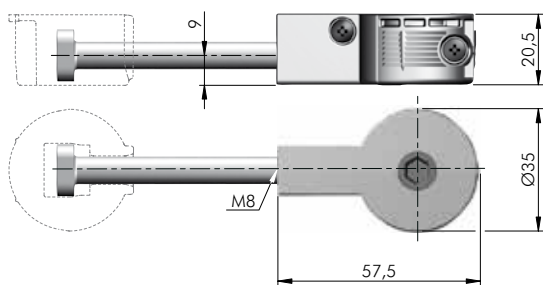
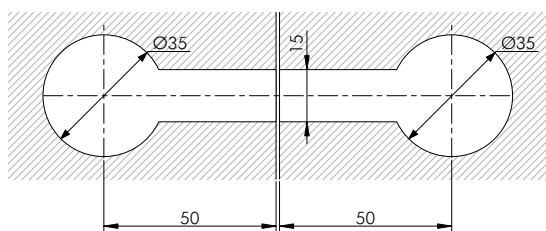
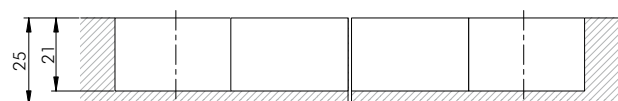
ZA ST EP

= 250 pcs.



2162101000

5



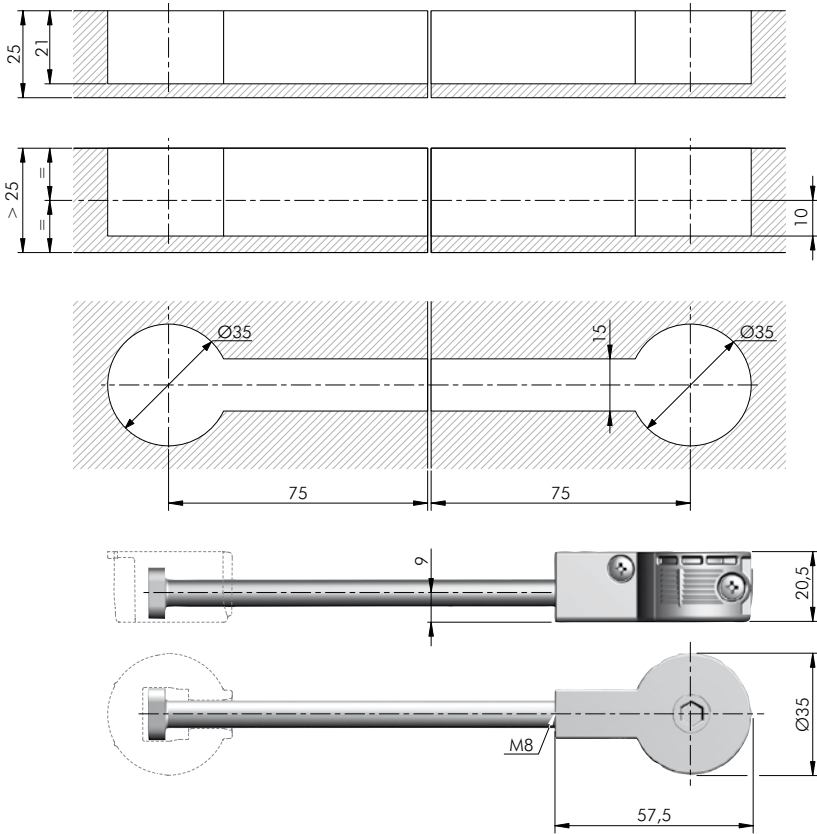
= Ø 35 mm = S6

ZA ST EP

= 150 pcs.

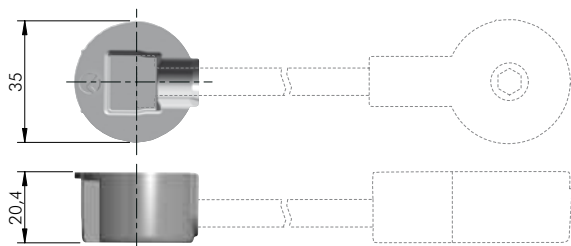


2162104000



	= Ø 35 mm		= S6
ZA	ST	EP	= 150 pcs.
		2162102000	

5



	= Ø 35 mm		
EP			= 500 pcs.
		2162001000	