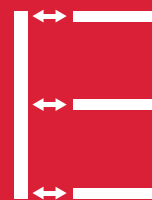
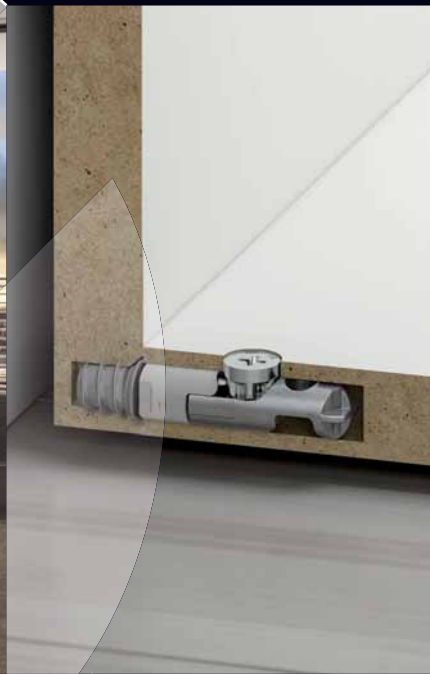
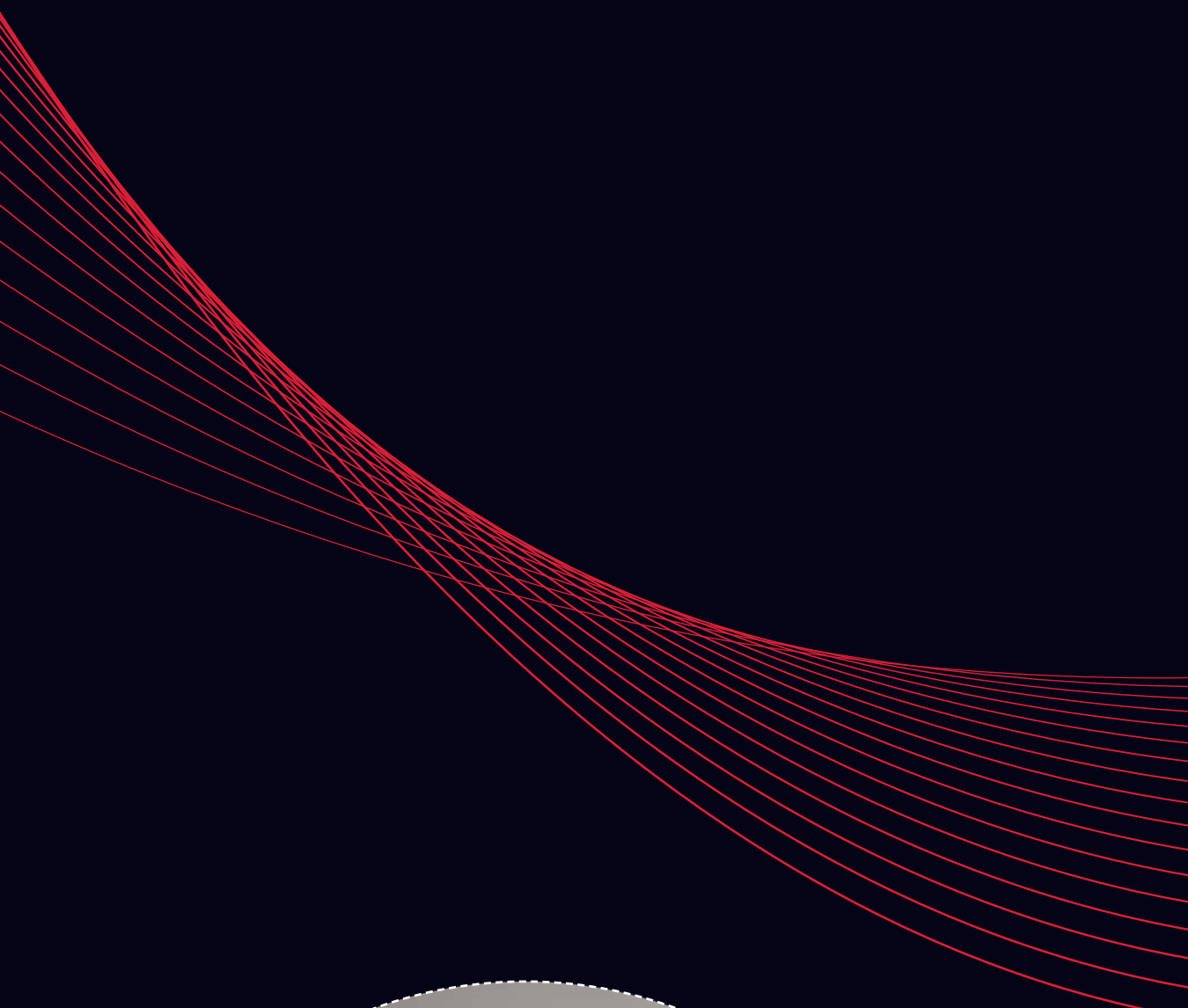


TARGET



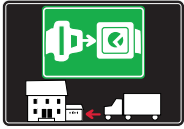
CONNECTINGS





SYMBOLS AND FINISHES LEGEND

SYMBOLS



= SHELF SAFELY LOCKED DURING TRANSPORTATION AND AT HOME.



= ANTI-TURNOVER LOCKING SYSTEM



= NORMS / PATENTS



= PHILLIPS / POZIDRIV



= NEWTON



= PART.NO



= HEXAGONAL SOCKET



= FRICTION



= PCS. PER PACKAGE



= BLADE SLOT



= AUTOMATIC



= COMBI SLOT



= DROP DOWN



= CAPACITY LOADING



= COUNTERSUNK HEAD



= WOOD / GLASS THICKNESS



= PAN HEAD



= STANDARD HINGE



= HOLE DIAMETER



= FLANGE HEAD



= KIMANA HINGE



= DIAMETER



= FLAT HEAD



= FLAP HINGE



= LENGTH



= TRILOBULAR SCREW



= WITH SPRING



= HEIGHT



= SELF-TAPPING SCREW



= WITHOUT SPRING



= RIGHT VERSION



= EURO THREAD



= REVERSED SPRING



= LEFT VERSION



= METRIC THREAD



= SETTING CODE



= PRE-INSERTED SCREW



= FOR ROUND TUBE



= PCS. PER PAD



= PRE-INSERTED SCREW AND SPREADING BUSH



= FOR OVAL TUBE



= CUT ON REQUEST



= WITH BUFFER



= SELF ADHESIVE



= WITH MAGNET



= WITH FLANGE

NOTE: Printing errors and omissions may exist despite our best efforts to ensure accuracy. We reserve the right to alter specifications without notice.

MATERIALS

ZA = Zinc Alloy	ST = Steel	HSS = High Speed Steel	BR = Brass	ABS = Acrylonitrile Butadiene Styrene
ZAnk = Nickel-plated Zinc Alloy	STzk = Zinc-plated Steel	AL = Aluminium	WD = Wood	EVA = Ethylene Vinyl Acetate

EP = **ENGINEERING PLASTIC**

+ **EP** = other engineering plastic available on request

SR = **SOFT RUBBER**

+ **SR** = other soft rubber available on request

EPn = Natural Engineering Plastic

EPc = Clear Engineering Plastic

SRn = Natural Soft Rubber

EPw = White Engineering Plastic

EPg = Grey Engineering Plastic

SRw = White Soft Rubber

EPwg = Water Green Engineering Plastic

SRb = Black Soft Rubber



FINISHES



+ **OTHER FINISHES AVAILABLE ON REQUEST**

PART. NO	FINISHES	PART. NO	FINISHES	PART. NO	FINISHES
AA	Natural	JB	Bright Aluminium	RO	Red
AB	White	JC	Aluminium - Chrome	UZ	T -Met
AC	Opal White	JD	Matt Aluminium	WA	Bronzed
AE	White 9010	JE	Satin-finished Aluminium	WI	Burnished
AK	Champagne	JF	Aluminium - Brass	XD	Satin-finished Steel
AL	Ivory	JG	Aluminium 5	YA	Nickel-plated
EA	Black	JL	Aluminium PE 11	YB	Bright Nickel-plated
EB	Glossy Black	JM	Aluminium RAL 9006	YC	Matt Nickel-plated
EC	Matt Black	KA	Chrome	YD	Satin-finished Nickel-plated
EE	Anthracite	KB	Bright Chrome	YQ	Black Nickel
FU	Gunmetal	KC	Matt Chrome	ZA	Zinc alloy
GR	Raw	MA	Brown	ZN	Zinc-plated
HA	Brass-Plated	MB	Light Brown 1	ZQ	Bright Gold
HH	Tropicalized	NN	Metallic Beige	ZY	Titanium
HL	Raw Brass	NO	Beige	ZZ	Clear
HX	Graphite	OA	Oak	00	Insignificant finish
IA	Grey	OZ	Ash		
IB	Metallic Grey	PA	Light Ash		
IF	Middle Grey	PZ	Beech		
IJ	Light Grey	QB	Walnut		

TARGET J10

TARGET is the new structural connecting fitting conceived by Italiana Ferramenta with high fastening capacity, suitable for mounting with wood dowels.

TARGET is an ideal solution for the installation of cabinets in tight spaces.

TARGET provides the possibility of pre-assembling into the panels without obstructing the packaging.

FEATURES AND BENEFITS

Easy pre-assembling

Simple pre-insertion into the panels. Conceived for automatic assembling.

Suitable for furniture in kit

Its unique features make **TARGET** the ideal solution for kit furniture.

No hardware kits

There is no need of hardware kits.

High-speed assembling

Mounting is extremely fast and efficient thanks to the pre-assembling of the panels.

Strong structural fastening

The panels are hard and securely fastened, therefore the cabinet is 100% stress-resistant.

Wide range of applications

Practical solution for a wide range of applications.



Interzum Award:
Intelligent material & design 2017

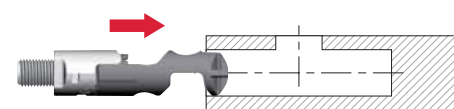
High Product Quality



15 - 25 mm

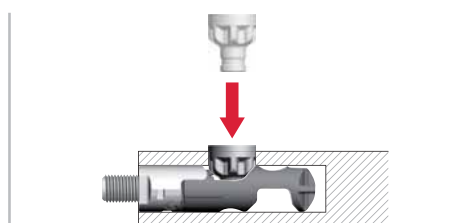
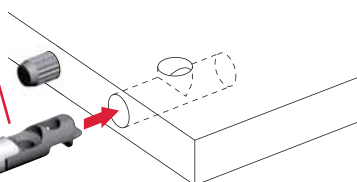


INSTALLATION

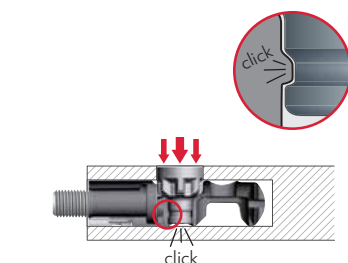
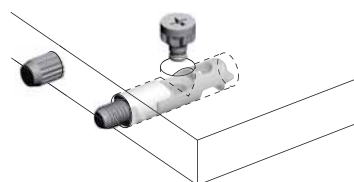


VERY IMPORTANT

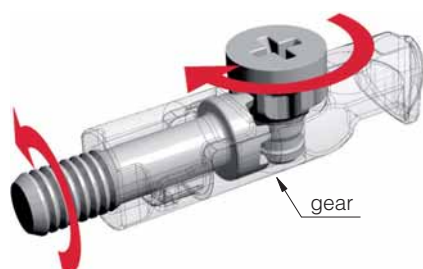
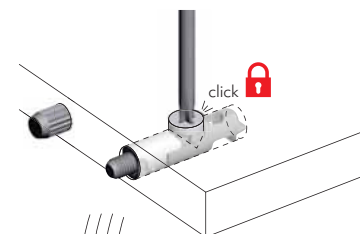
Insert **TARGET** connecting with countersunk hole on top.



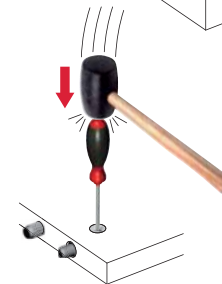
Place the pinion screw from above.



Press strongly with PZ2 cross screwdriver to slot the pinion screw in.



By turning the pinion screw, the threaded dowel makes a synchronized rotation.

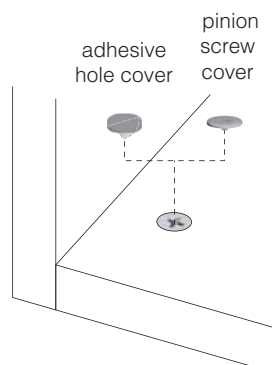
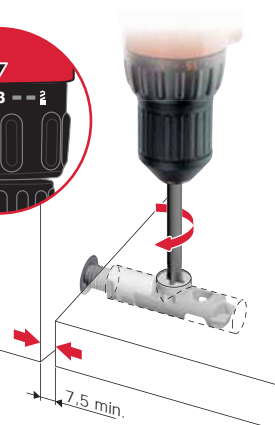
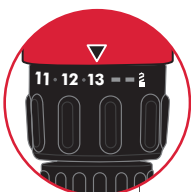


It may be helpful to use a tool in order to easily slot the pinion screw in.

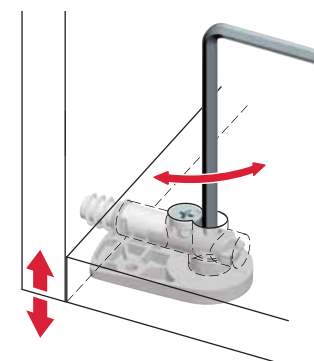
ASSEMBLING

VERY IMPORTANT

Cordless driver drill to be used **ONLY** with **friction mode** on.



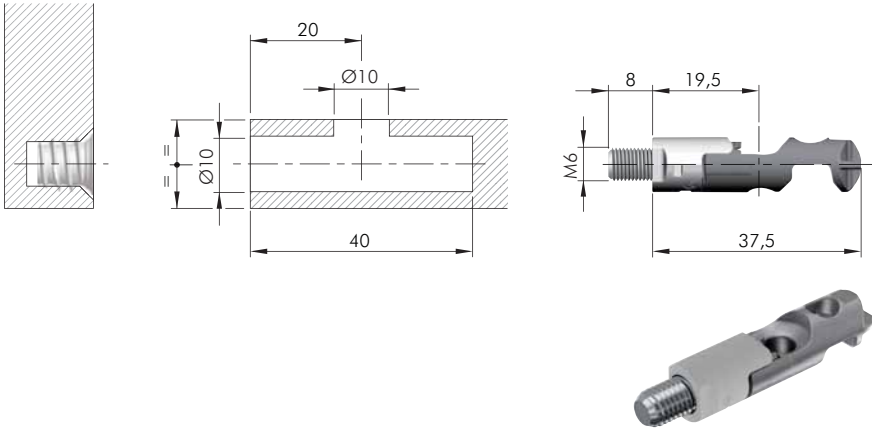
LEVELLER ADJUSTMENT



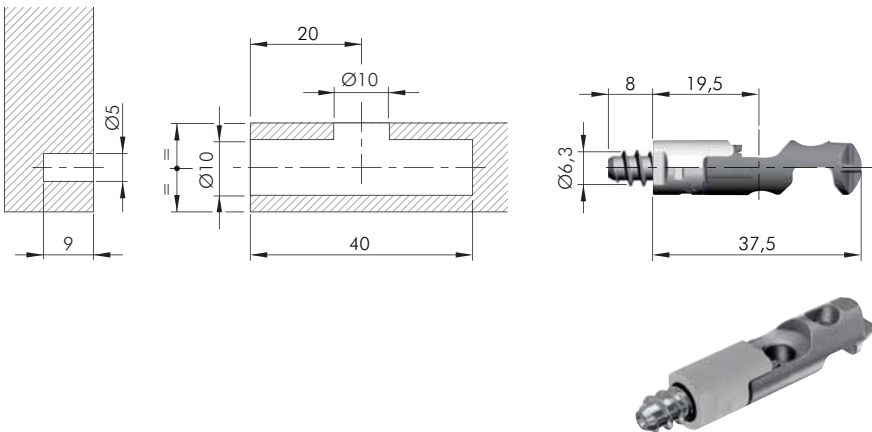
For details refer to the related section about adjustable feet available.



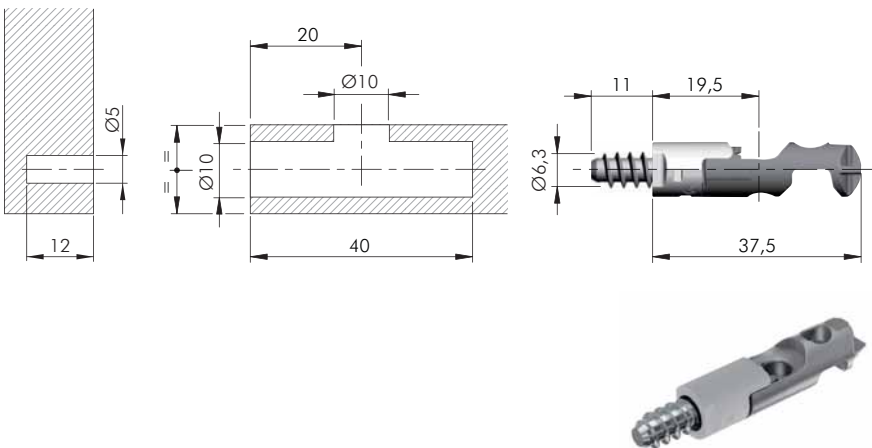
TARGET J10



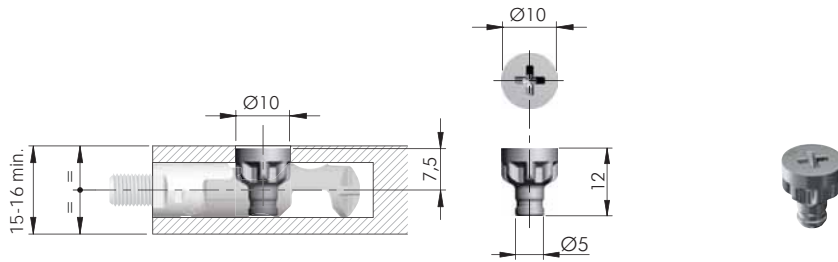
= M6
 = 1000 pcs.
 ZA ST EP
 1 2 3
 21802160ZN



= M6
 = 1000 pcs.
 ZA ST EP
 1 2 3
 21803160ZN



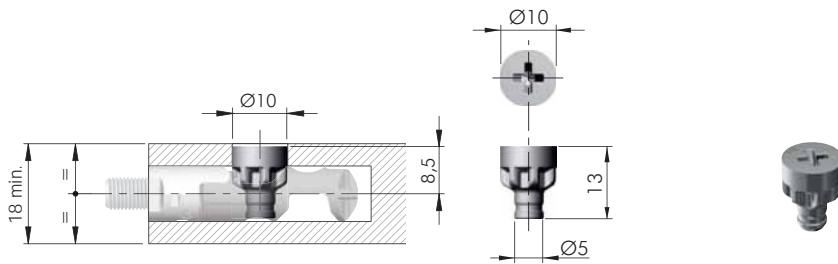
= M6
 = 1000 pcs.
 ZA ST EP
 1 2 3
 21803220ZN



= PZ2 = Ø 10 mm
 = 15-16 mm min.
 = 2000 pcs.

123

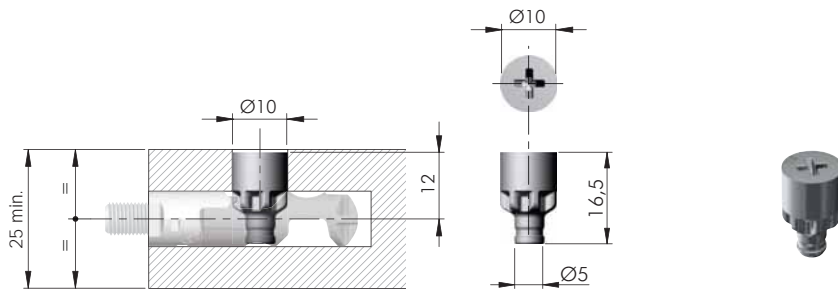
21821160Z^N



= PZ2 = Ø 10 mm
 = 18 mm min.
 = 2000 pcs.

123

21821180Z^N



= PZ2 = Ø 10 mm
 = 25 mm min.
 = 2000 pcs.

123

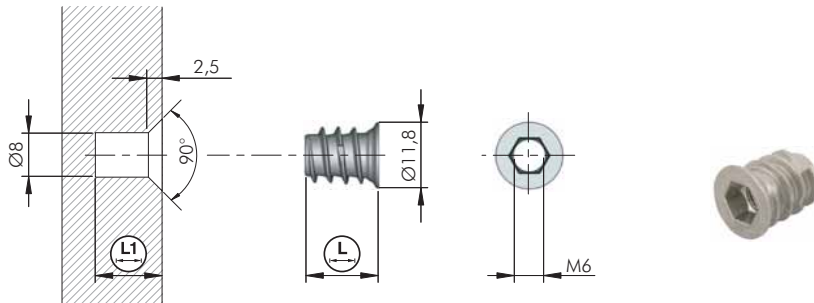
21821250Z^N



All information about drilling jigs are available at the end of the section Target.



TARGET FIXING ACCESSORIES

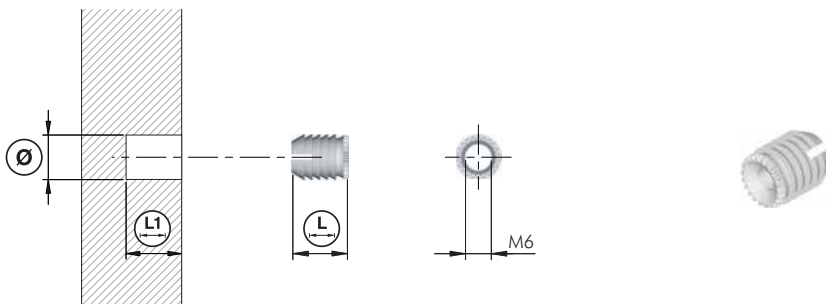


= Ø 8 mm
 = M6
 +

 = S6

 = 5000 pcs.

20102010GR		10	12
20102020GR		13	15
20102040GR		17	19

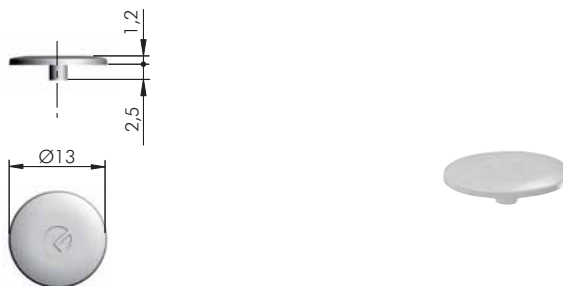


= Ø 8, Ø 10 mm
 = M6

 = 1000 pcs.

20303030AA		8	11	13
20304030AA		10	11	13
20304040AA		10	13	15

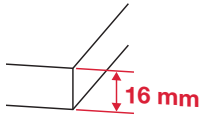
TARGET J10 PINION SCREW COVER



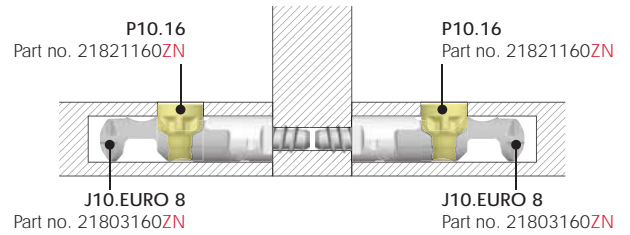
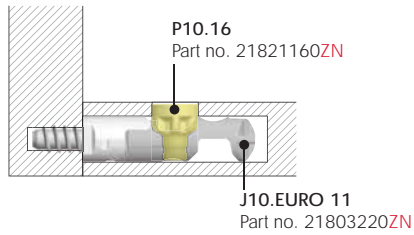
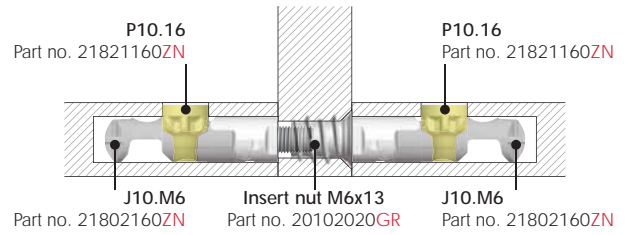
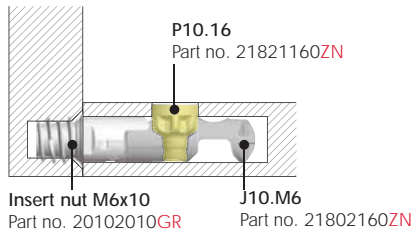
 = 5000 pcs.
 +

P1704115AB	
P1704115EE	

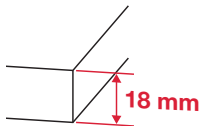
M6 thread



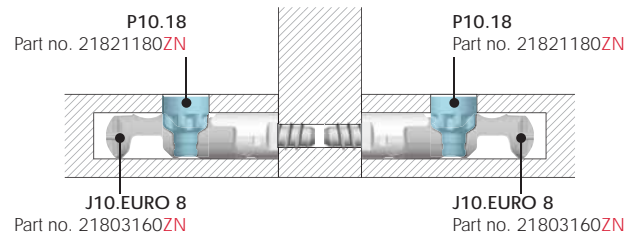
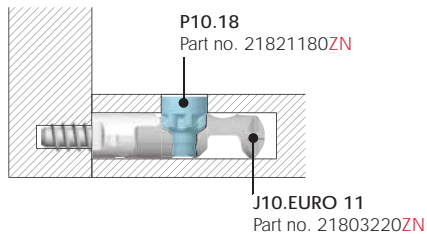
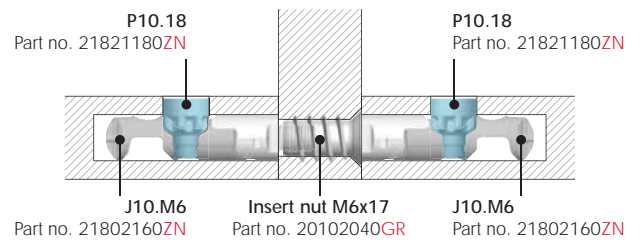
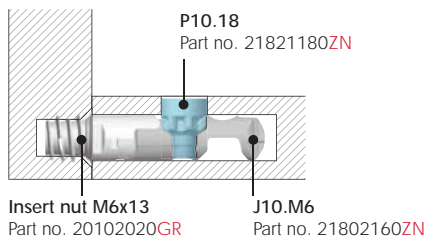
Euro thread



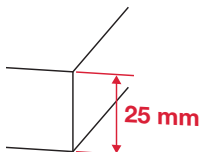
M6 thread



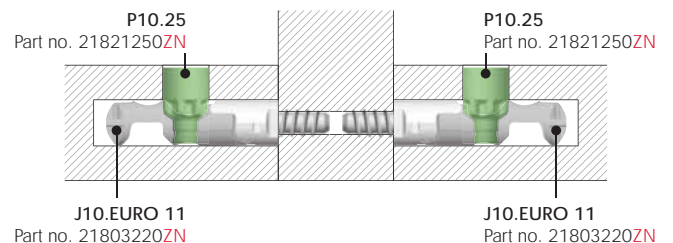
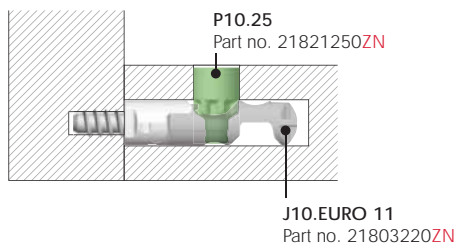
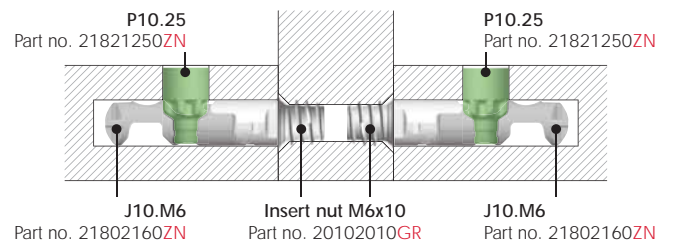
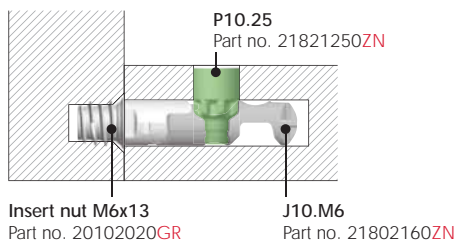
Euro thread



M6 thread



Euro thread





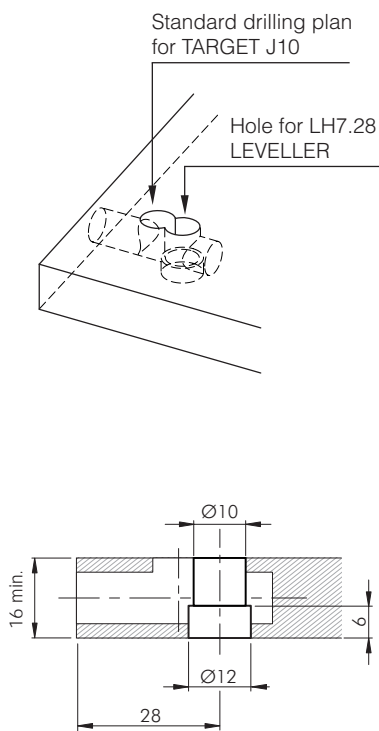
LH7.28 ADJUSTABLE LEVELLER FOR TARGET J10



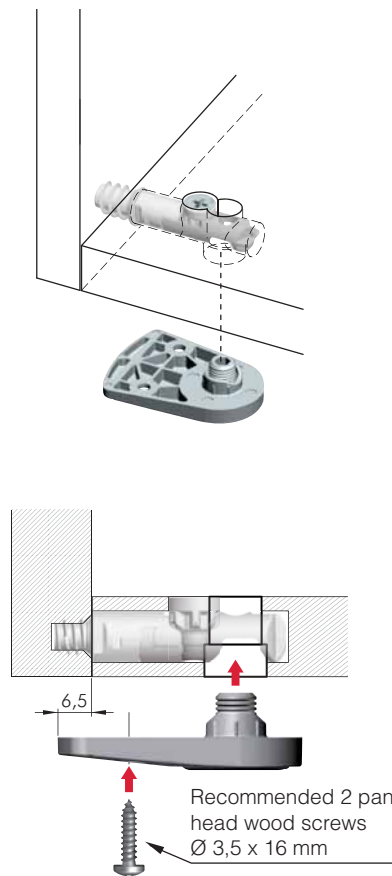
150 Kg per piece



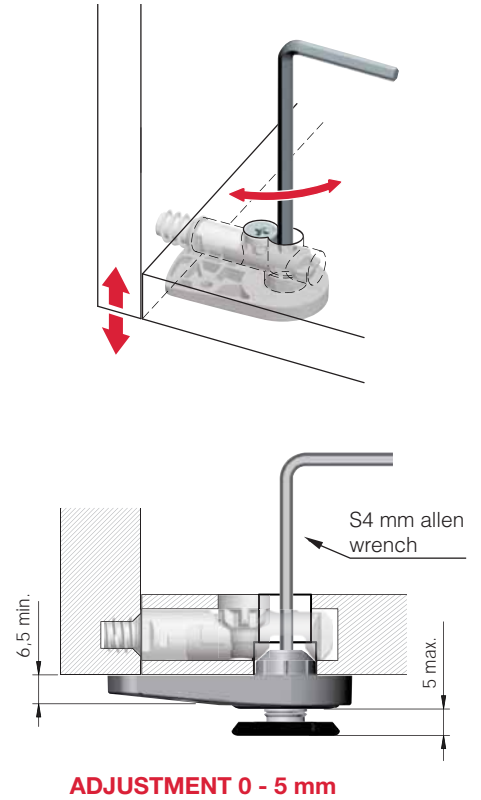
DRILLING PLAN DETAIL



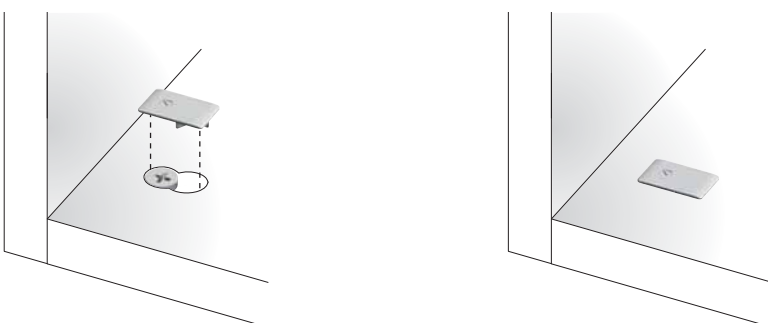
INSTALLATION

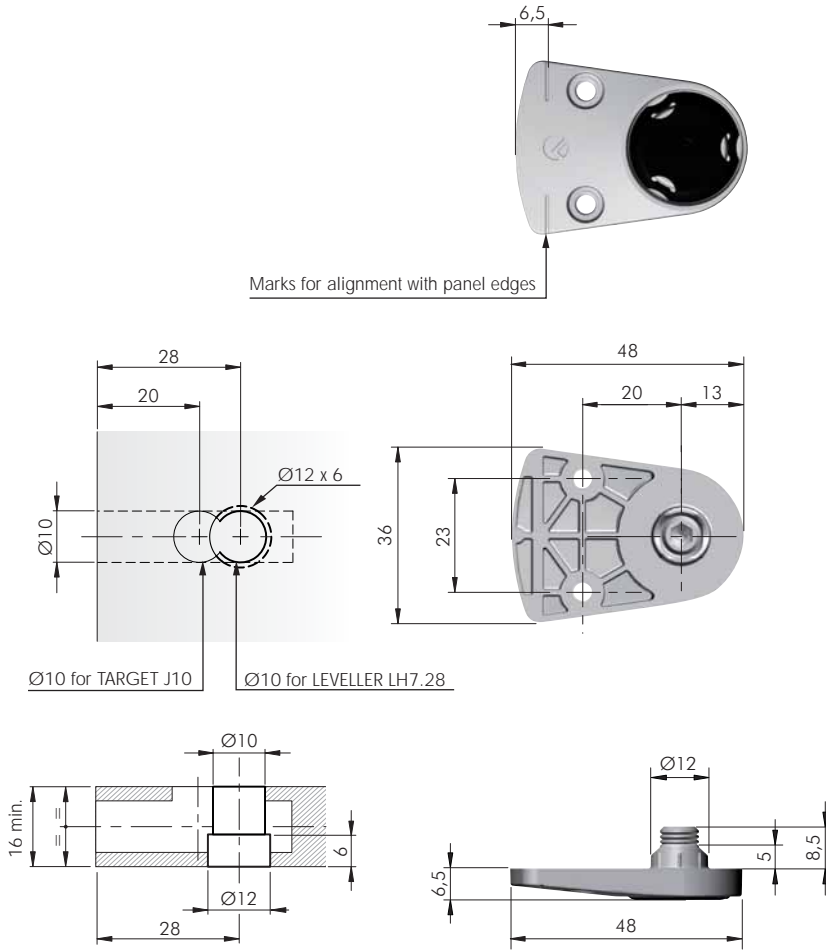


ADJUSTMENT

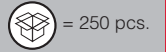


COVER CAP INSERTING

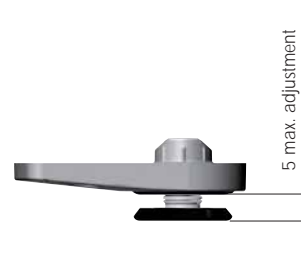




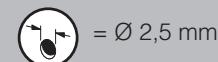
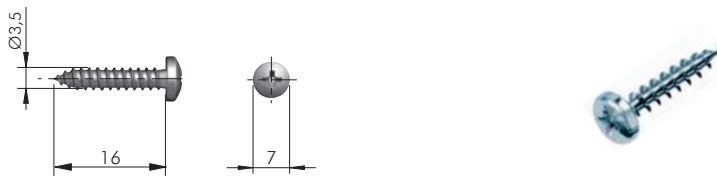
ADJUSTMENT 0 - 5 mm



2183628000

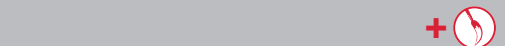
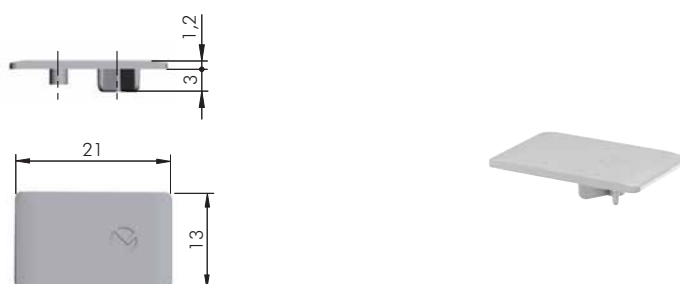


LH7.28 LEVELLER ACCESSORY



60103140ZN

LH7.28 LEVELLER COVER CAP



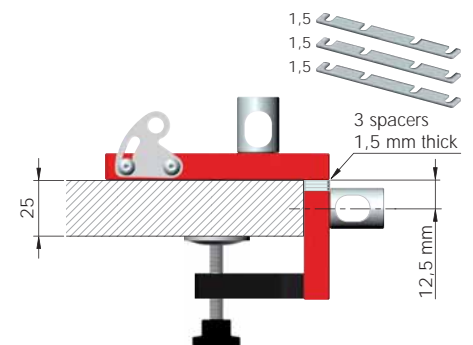
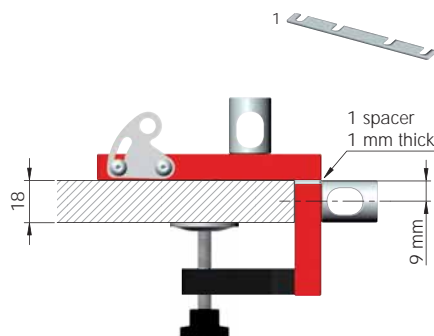
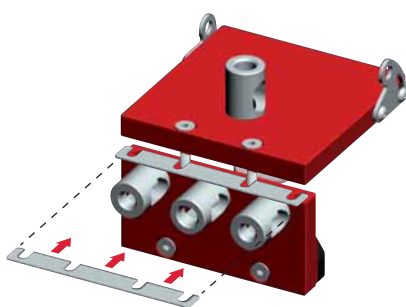
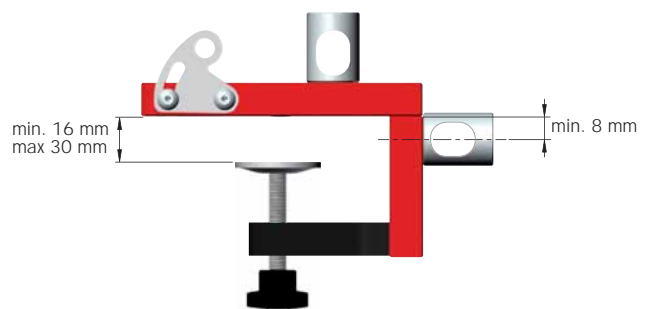
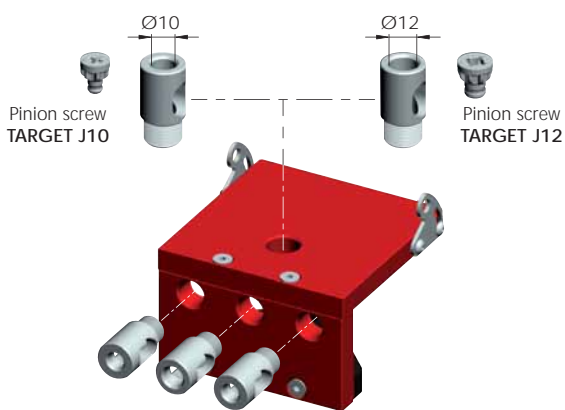
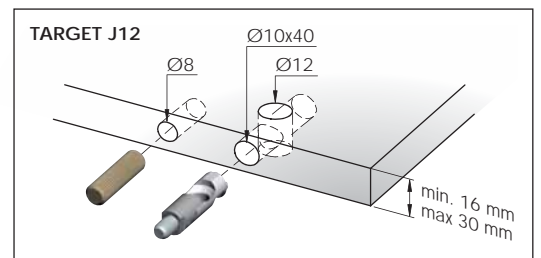
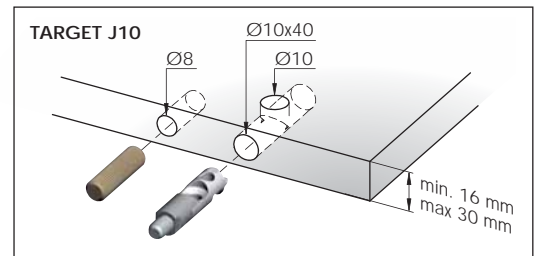
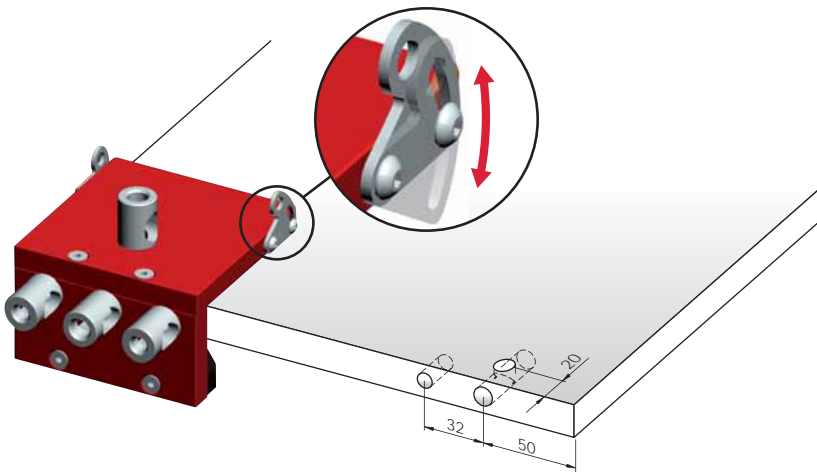
P1707891AB

P1707891EE

DRILLING JIG TARGET J10-J12



16 - 30 mm 





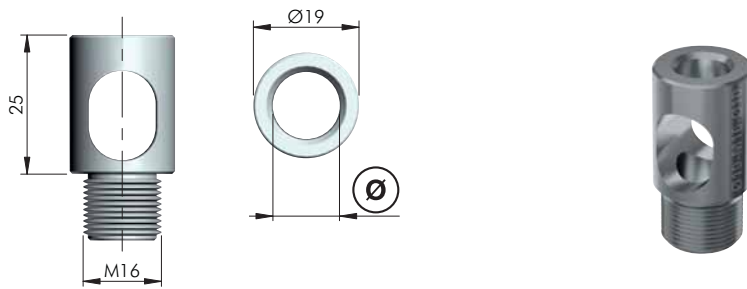
TARGET J10-J12 DRILLING JIG FOR PANEL THICKNESS 16 AND 18 mm



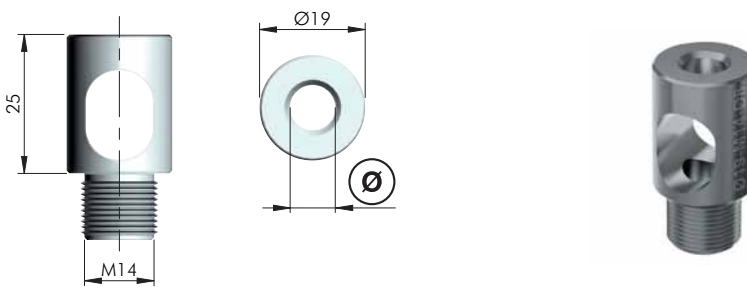
ST	= on request
123	
Y0JG0100RO	

NOTE: The product code includes all the components shown in the picture.

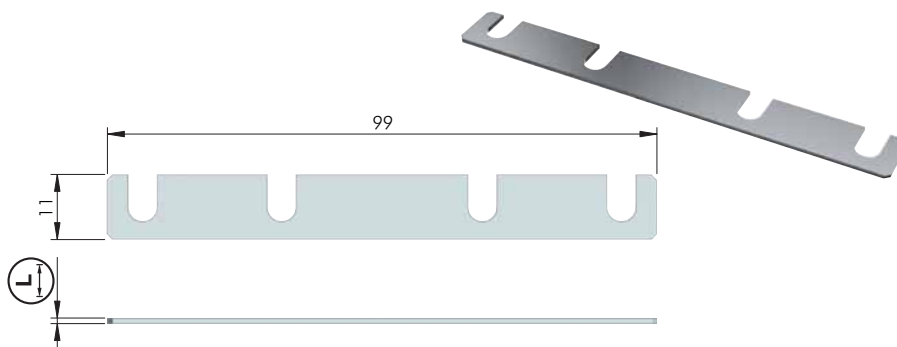
TARGET J10-J12 DRILLING JIG ACCESSORIES



= M16	
ST	= on request
123	
Y0JG0507ZN	Ø10
Y0JG0508ZN	Ø12



= M14	
ST	= on request
123	
Y0JG0505ZN	Ø8
Y0JG0506ZN	Ø10

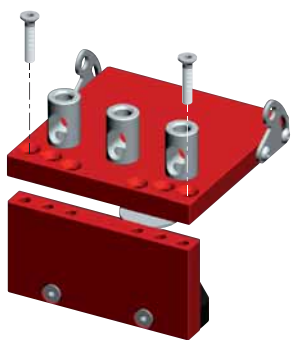
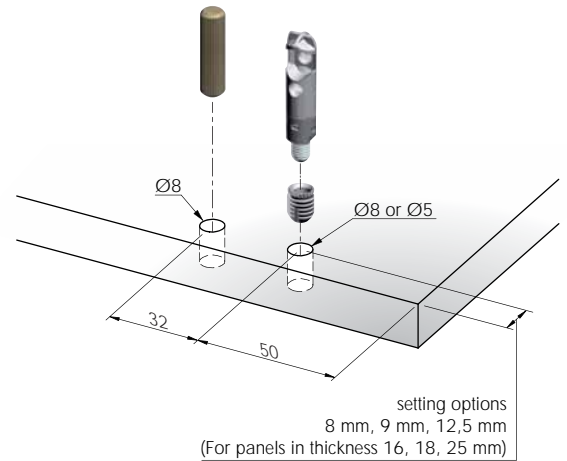
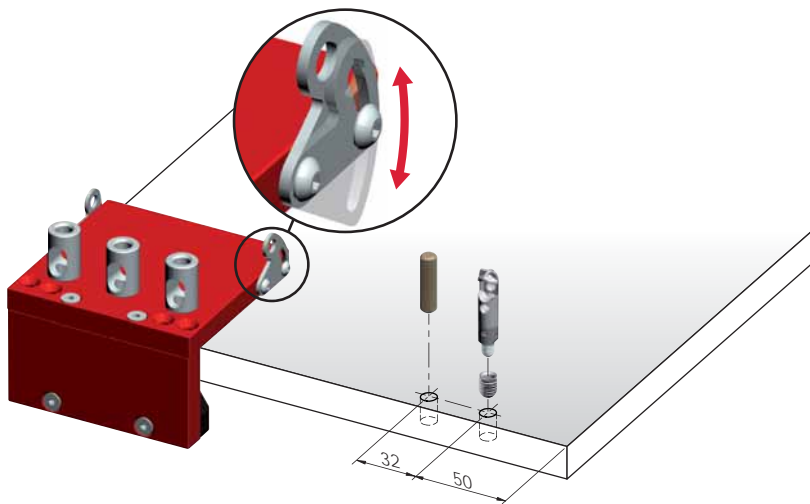


ST	= on request
123	
Y0JG0511ZN	1
Y0JG0512ZN	1,5

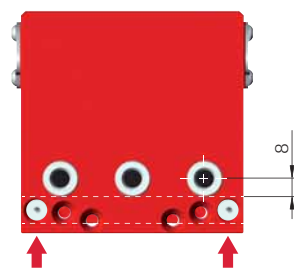
DRILLING JIG FOR SIDE PANELS



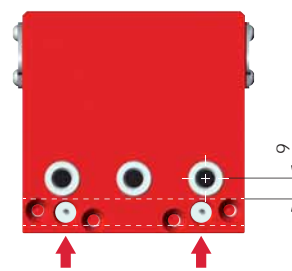
16 - 30 mm 



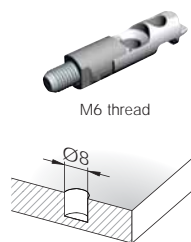
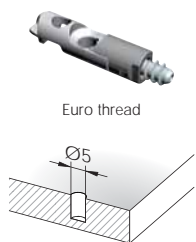
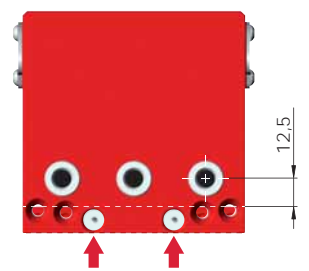
Setting for 8 mm



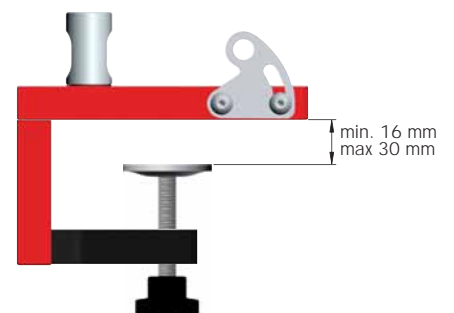
Setting for 9 mm



Setting for 12,5 mm

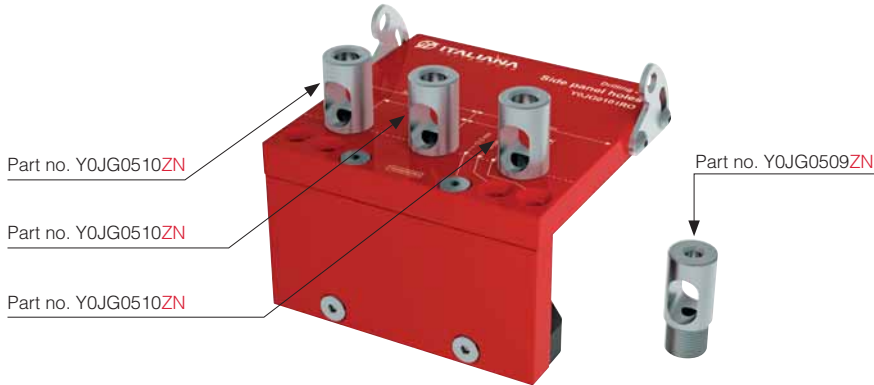


* It requires further countersunk operation.





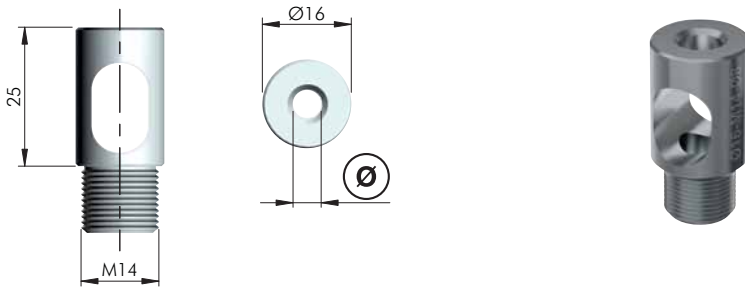
DRILLING JIG FOR SIDE PANELS



ST	= on request
123	
Y0JG0101RO	

NOTE: The product code includes all the components shown in the picture.

DRILLING JIG FOR SIDE PANELS ACCESSORIES

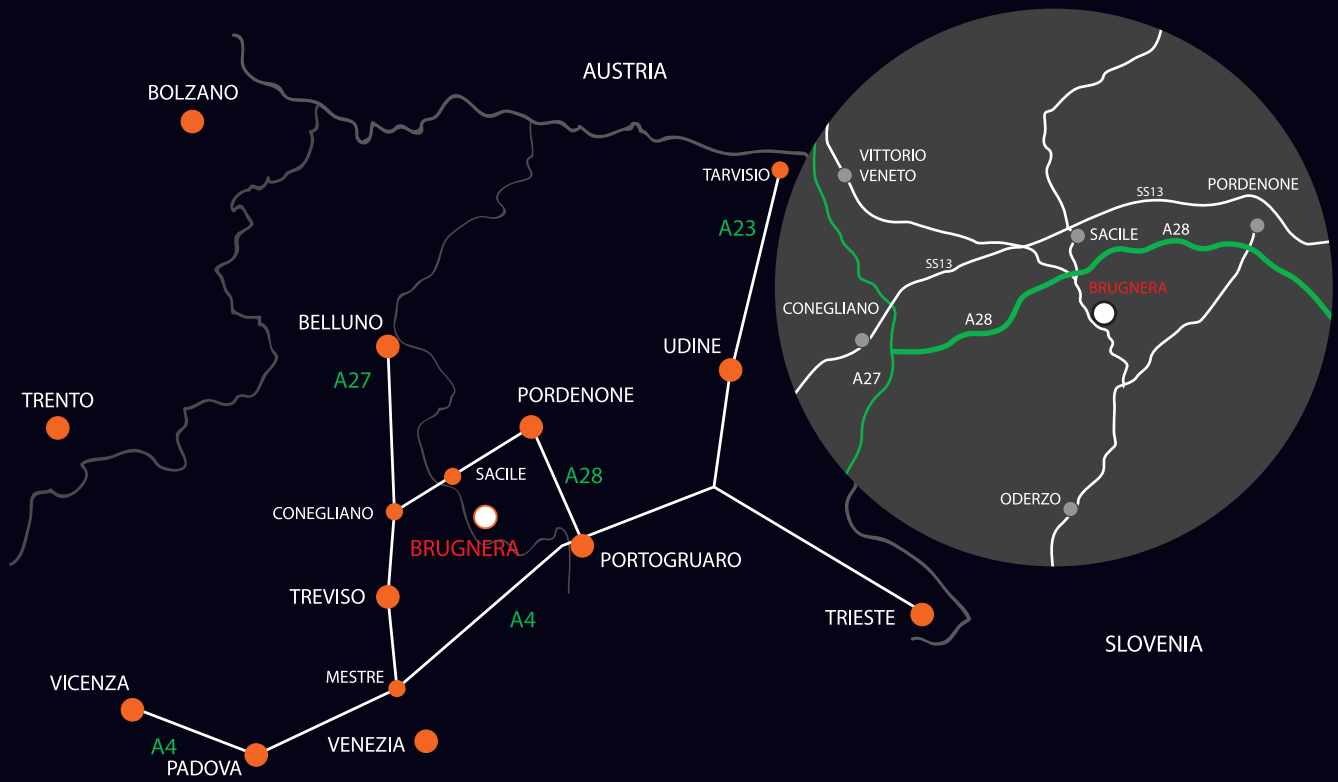


= M14	
ST	= on request
123	
Y0JG0509ZN	Ø5
Y0JG0510ZN	Ø8

DRILLING JIG DEPTH STOP COLLARS



ST	= on request
123	
Y0JG051600	Ø5
Y0JG051700	Ø8
Y0JG051800	Ø10
Y0JG051900	Ø12



www.italianaferramenta.com