

FR 7101 SCC

SLIDE TYPE:	Full-Extension Drawer Slide - Progressive-Action
MOUNTING:	Side Mount

WIDTH:	24 mm
LOAD CAPACITY:	dynamic up to 120 kg (full-ext.) dynamic up to 105 kg (over-ext.)



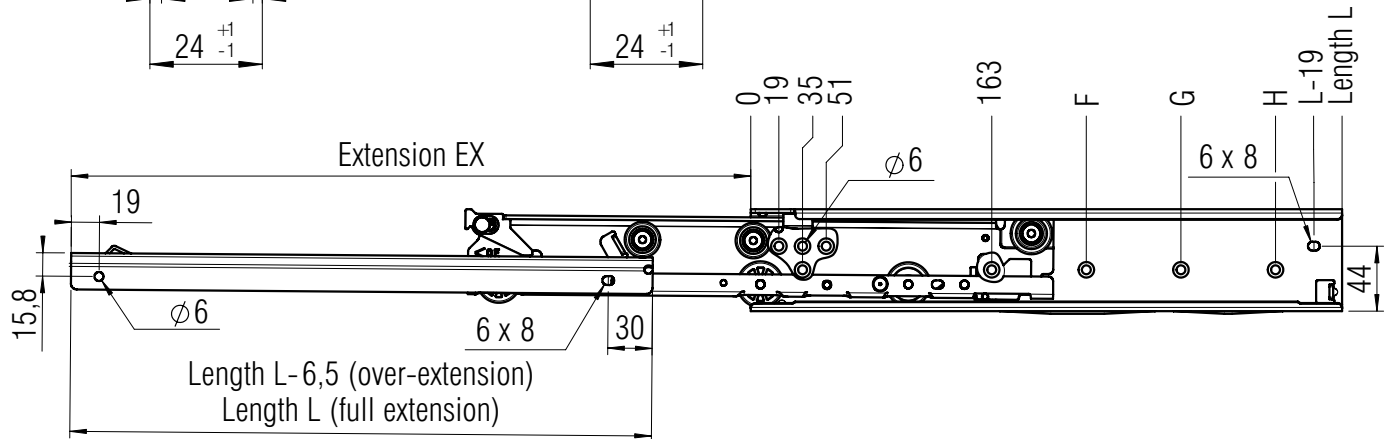
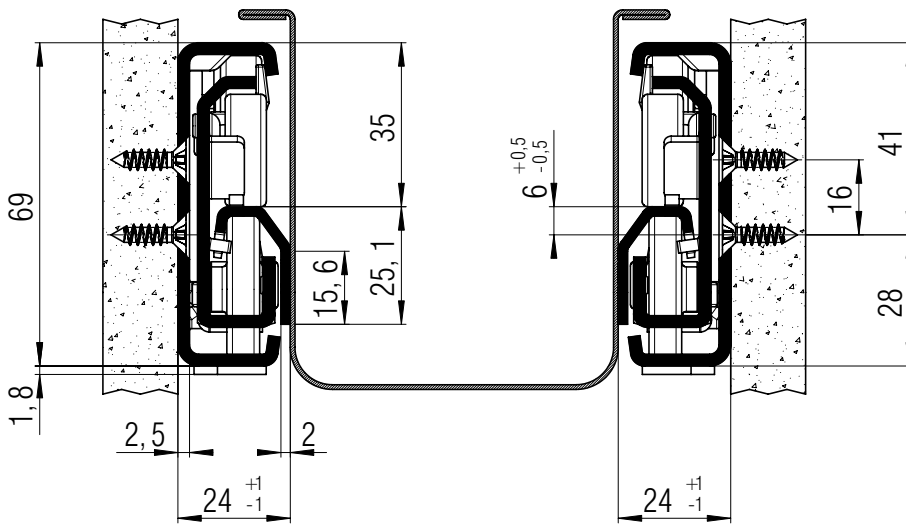
MATERIAL:	stainless steel 1.4509 (SCC)
------------------	------------------------------

FEATURES:	solid delrin* rollers
------------------	-----------------------

SPECIFICATIONS & NOTES:

- ▶ cabinet profile with holes for welding and drawer profile without holes for welding
 - ▶ high lateral stability through specially formed middle profile and guide rollers
 - ▶ ideal running characteristic and smoothness of running through integrated progressive-action
 - ▶ safety clip mounted in middle profile
 - ▶ double-sided captive profile
 - ▶ self closing, soft stop
- ① also available with 60 mm over-extension
② on request, also available as heat resistant model (up to 110° C) – load capacity 90 kg (full-ext.), 80 kg (over-ext.)

*DuPont (TM) Delrin®



screw holes for 4,5 mm spax screws

L mm	EX full-ext.	EX over-ext.	F mm	G mm	H mm	Weight per pair (kg)	Order No. full-ext.	Order No. over-ext.
400	385	460	323			3,44	▶ 7110	*
450	435	510	355			3,88	▶ 7111	*
500	485	560	291	451		4,32	▶ 7112	▶ 7122
550	535	610	323	483		4,76	▶ 7113	▶ 7123
600	585	660	355	547		5,20	▶ 7114	▶ 7124
650	635	710	355	611		5,64	▶ 7115	*
700	685	760	355	515	643	6,08	▶ 7116	*
750	735	810	355	547	675	6,52	▶ 7117	*

Packing Unit: 400-600 mm: 4 sets per box; 650-750 mm: 2 sets per box ▶ prompt delivery * minimum order quantity and lead time on request!