

# FR 790 SCC

<b>SLIDE TYPE:</b>	Progressive-Action Full-Extension Drawer Slide
<b>MOUNTING:</b>	Side Mount

<b>WIDTH:</b>	<b>18 mm</b>
<b>LOAD CAPACITY:</b>	dynamic up to <b>68 kg</b> (full-ext.) dynamic up to <b>53 kg</b> (over-ext.)



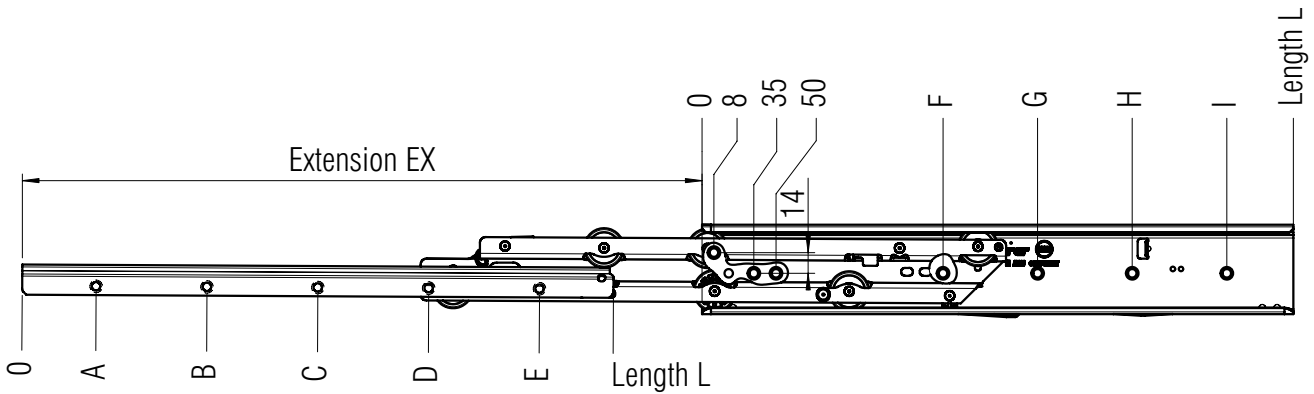
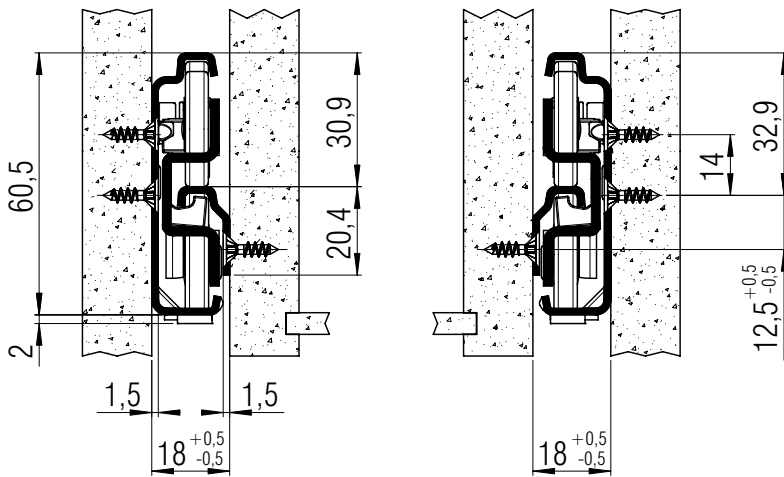
<b>MATERIAL:</b>	stainless steel 1.4509 (SCC)
------------------	------------------------------

<b>FEATURES:</b>	solid delrin* rollers
------------------	-----------------------

### SPECIFICATIONS & NOTES:

- ▶ cabinet and drawer profile with screw holes
  - ▶ high lateral stability through specially formed middle profile (material thickness 2 mm) and guide rollers
  - ▶ ideal running characteristic and smoothness of running through integrated progressive-action
  - ▶ safety clip mounted in middle profile
  - ▶ double-sided captive profile
  - ▶ self closing, soft stop
- 
- ① compatible with regular-extension drawer slide FR 1052 SCC
- 
- ① also available with 60 mm over-extension
  - ① also available as heat resistant model (up to 110° C) – Load Capacity 50 kg (full ext.), 40 kg (over ext. – drawer profile without screw holes)

\*DuPont (TM) Delrin®



screw holes for 3,5 mm spax screws

L mm	EX full-ext.	EX over-ext.	A mm	B mm	C mm	D mm	E mm	F mm	G mm	H mm	I mm	Weight per pair (kg)	Order No. full-ext.	Order No. over-ext.	Order No. heat resistant
350	335	410	28	156	316			163	291			1,71	▶ 7900	*	▶ 7970
400	385	460	28	156	380			163	355			1,95	▶ 7901	*	*
450	435	510	28	156	316	412		163	355			2,19	▶ 7902	*	▶ 7972
500	485	560	28	156	348	476		163	355	451		2,43	▶ 7903	*	▶ 7973
550	535	610	28	156	348	508		163	355	483		2,67	▶ 7904	▶ 7924	▶ 7974
600	585	660	28	156	348	572		195	355	547		2,91	▶ 7905	*	▶ 7975
650	635	710	28	156	348	604		163	355	547		3,15	▶ 7906	▶ 7926	▶ 7976
700	685	760	28	156	348	540	668	163	355	547	643	3,39	▶ 7907	*	*
750	735	810	28	156	348	572	732	163	355	547	643	*	*	*	*

Packing Unit: 5 sets per box

▶ prompt delivery \* on request