

FR 786 SCC ECD

SLIDE TYPE:	Full-Extension Drawer Slide - Progressive-Action
MOUNTING:	Bottom Mount

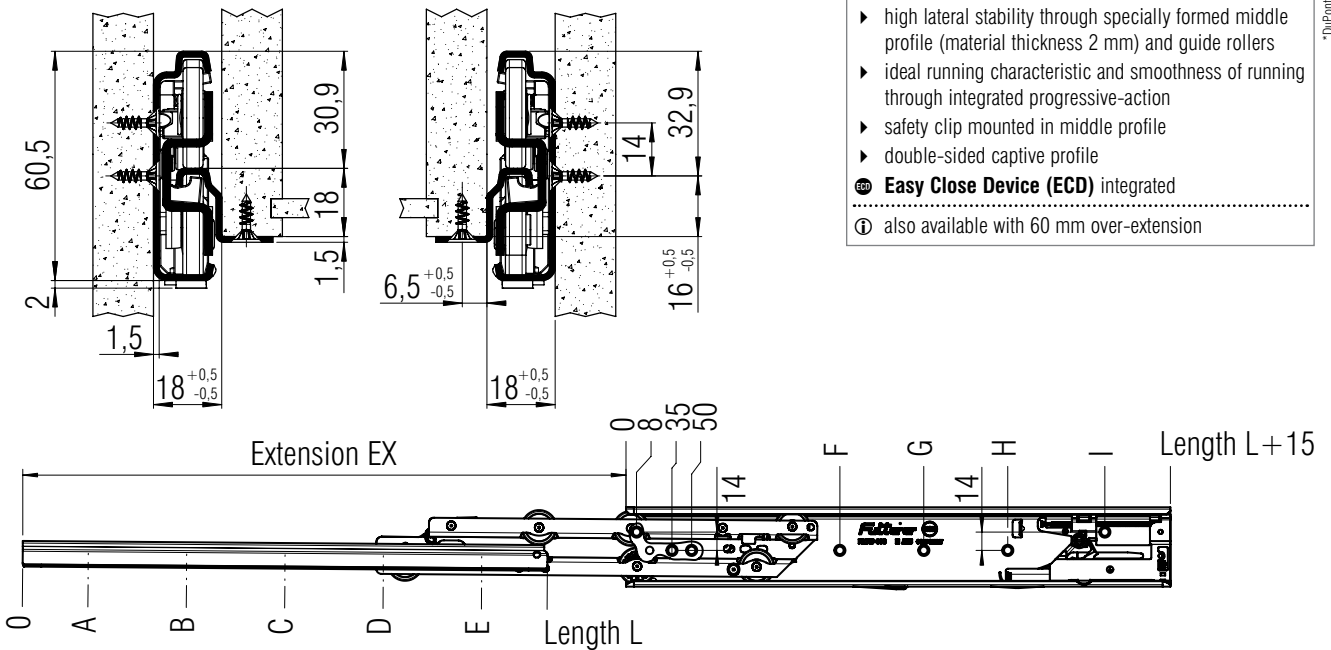
WIDTH:	18 mm
LOAD CAPACITY:	dynamic up to 60 kg (full-ext.) dynamic up to 48 kg (over-ext.)



MATERIAL:	stainless steel 1.4509 (SCC)
------------------	------------------------------

FEATURES:	solid delrin* rollers
------------------	-----------------------

SPECIFICATIONS & NOTES:
<ul style="list-style-type: none"> ▶ cabinet and drawer profile with screw holes ▶ high lateral stability through specially formed middle profile (material thickness 2 mm) and guide rollers ▶ ideal running characteristic and smoothness of running through integrated progressive-action ▶ safety clip mounted in middle profile ▶ double-sided captive profile
<ul style="list-style-type: none"> ⊕ Easy Close Device (ECD) integrated
<ul style="list-style-type: none"> ① also available with 60 mm over-extension



screw holes for 3,5 mm spax screws

L mm	EX full-ext.	EX over-ext.	A mm	B mm	C mm	D mm	E mm	F mm	G mm	H mm	I mm	Weight per pair (kg)	Order No. full-ext.
335	320	395	28	156	316			163			300	*	*
350	335	410	28	156	316			163			315	*	▶ 8222
385	370	445	28	156	348			163			350	*	*
400	385	460	28	156	380			163			365	*	▶ 8224
435	420	495	28	156	316	412		163	323		400	*	*
450	435	510	28	156	316	412		163	355		415	*	▶ 8226
485	470	545	28	156	348	444		163	355		450	*	*
500	485	560	28	156	348	476		163	355		465	*	▶ 8228
535	520	595	28	156	348	508		163	355		500	*	*
550	535	610	28	156	348	508		163	355		515	*	▶ 8230
585	570	645	28	156	348	540		195	355		550	*	*
600	585	660	28	156	348	572		195	355		565	*	▶ 8232
635	620	695	28	156	348	604		163	355	547	600	*	*
650	635	710	28	156	348	604		163	355	547	615	*	▶ 8234
685	670	745	28	156	348	540	668	163	355	547	650	*	*
700	685	760	28	156	348	540	668	163	355	547	665	*	▶ 8236
735	720	795	28	156	348	572	700	163	355	547	700	*	*
750	735	810	28	156	348	572	732	163	355	547	715	*	*

Packing Unit: 5 sets per box

▶ prompt delivery * on request