

FR 785 SCC



SLIDE TYPE:	Progressive-Action Full-Extension Drawer Slide
MOUNTING:	Side Mount

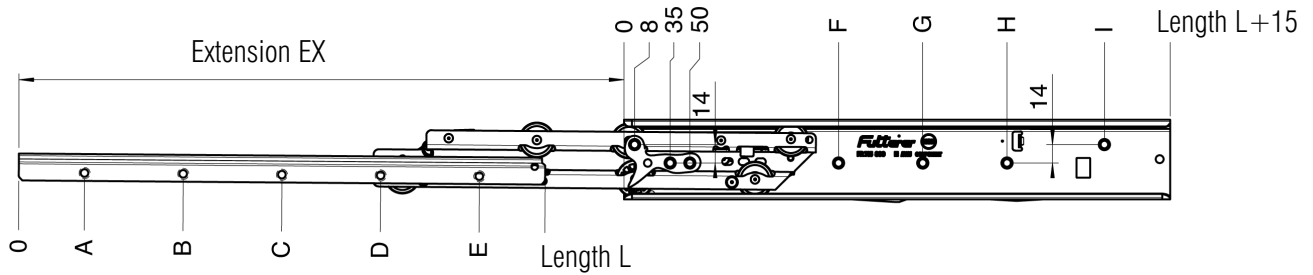
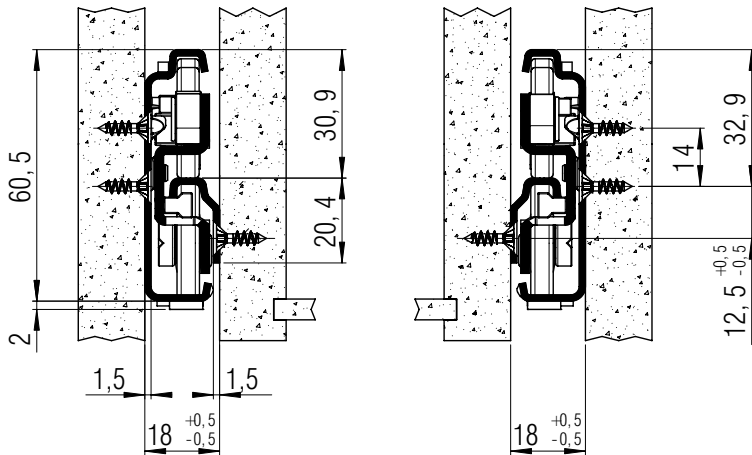
WIDTH:	18 mm
LOAD CAPACITY:	dynamic up to 60 kg (full-ext.) dynamic up to 48 kg (over-ext.)

ATTACHMENT:	
Easy Close Device Packing Unit: 1 set per polybag	ECD 78-S +5°C to +40°C Order No.: ▶ 82503
	ECD 78-C -10°C to +10°C Order No.: ▶ 83442
	ECD 78-F -25°C to -5°C Order No.: ▶ 83443

MATERIAL:	stainless steel 1.4509 (SCC)
------------------	------------------------------

FEATURES:	solid delrin* rollers
------------------	-----------------------

SPECIFICATIONS & NOTES:	
<ul style="list-style-type: none"> ▶ cabinet and drawer profile with screw holes ▶ high lateral stability through specially formed middle profile (material thickness 2 mm) and guide rollers ▶ ideal running characteristic and smoothness of running through integrated progressive-action ▶ safety clip mounted in middle profile ▶ double-sided captive profile ▶ self closing, soft stop 	
① compatible with regular-extension drawer slide FR 1052 CS	
② also available with 60 mm over-extension	
③ also available with Easy Close Device (ECD)	
④ on request, also available as heat resistant model (up to 110° C) – load capacity 45 kg (full-ext.), 35 kg (over-ext.)	



screw holes for 3,5 mm spax screws

L mm	EX full-ext.	EX over-ext.	A mm	B mm	C mm	D mm	E mm	F mm	G mm	H mm	I mm	Weight per pair (kg)	Order No. full-ext.	Order No. over-ext.
335	320	395	28	156	316			163			315	*	*	*
350	335	410	28	156	316			163			315	1,57	▶ 8522	*
385	370	445	28	156	348			163			365	*	*	*
400	385	460	28	156	380			163			365	1,80	▶ 8524	*
435	420	495	28	156	316	412		163	355		415	*	*	*
450	435	510	28	156	316	412		163	355		415	1,99	▶ 8526	*
485	470	545	28	156	348	444		163	355		465	*	*	*
500	485	560	28	156	348	476		163	355		465	2,23	▶ 8528	*
535	520	595	28	156	348	508		163	355		515	*	*	*
550	535	610	28	156	348	508		163	355		515	2,47	▶ 8530	*
585	570	645	28	156	348	540		195	355		565	*	*	*
600	585	660	28	156	348	572		195	355		565	2,72	▶ 8532	*
635	620	695	28	156	348	604		163	355	547	615	*	*	*
650	635	710	28	156	348	604		163	355	547	615	2,96	▶ 8534	*
685	670	745	28	156	348	540	668	163	355	547	665	*	*	*
700	685	760	28	156	348	540	668	163	355	547	665	3,20	▶ 8536	*
735	720	795	28	156	348	572	700	163	355	547	715	*	*	*
750	735	810	28	156	348	572	732	163	355	547	715	*	*	*

Packing Unit: **5 sets per box**

▶ prompt delivery * on request