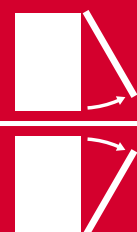
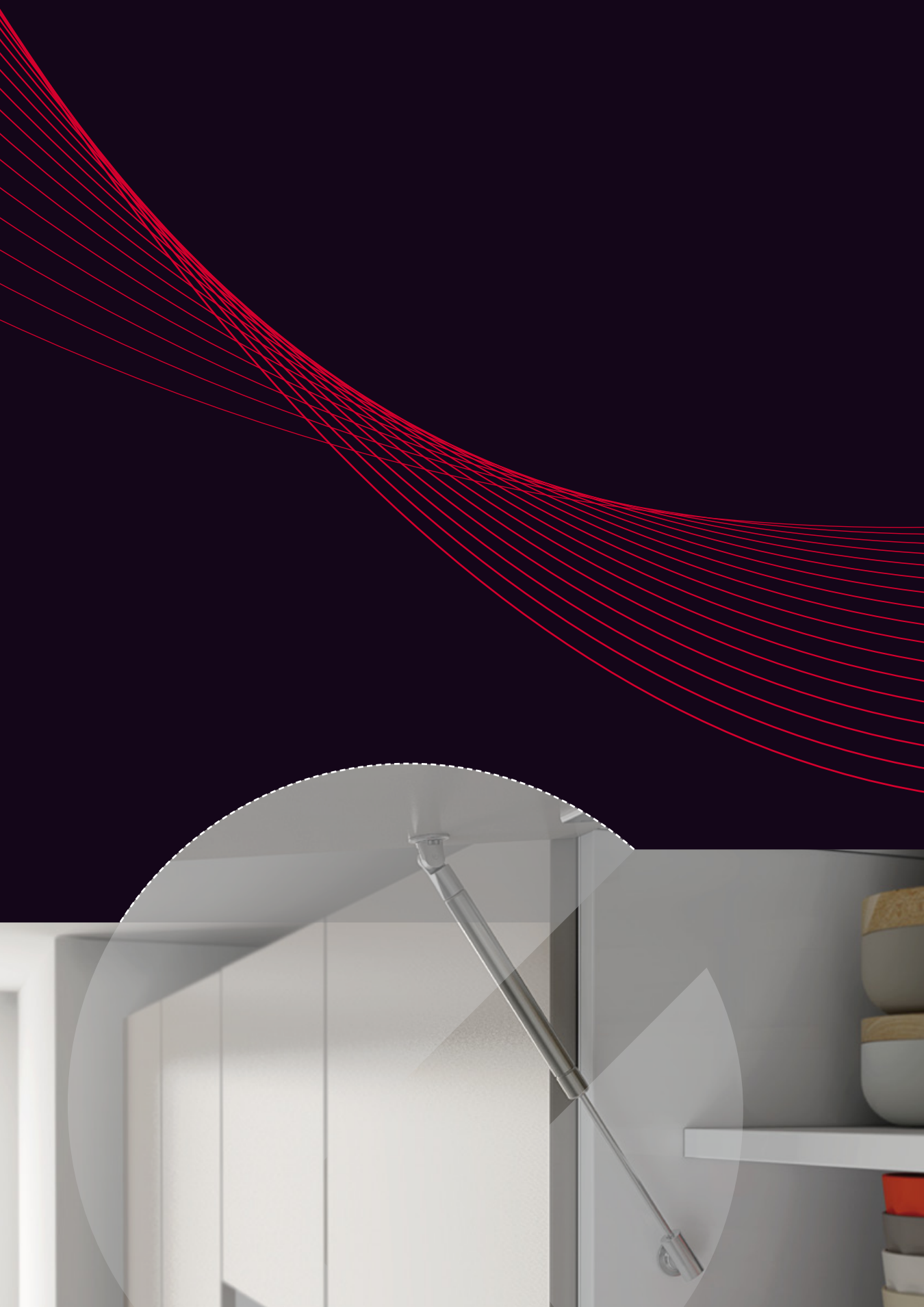


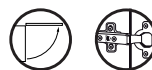
K12 SYSTEM LID STAY SYSTEM



OPENING
SYSTEMS
FOR FLAP AND
DROP DOWN
DOORS



K12 SYSTEM LIFT UP WITH STANDARD SPRUNG HINGES

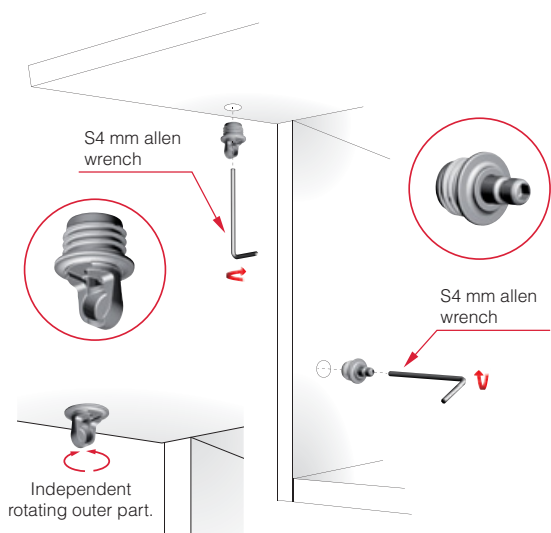


REGISTERED DESIGN
UNI 8607/05 Level 5

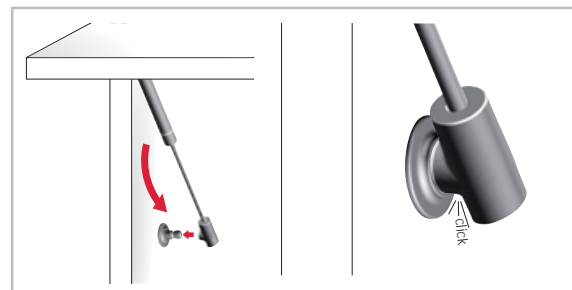
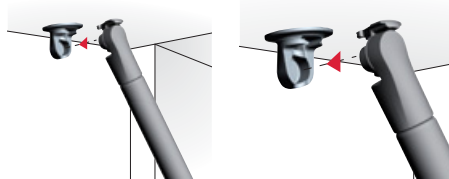
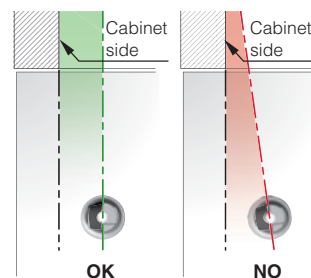


BRACKET Ø15 INSTALLATION

- For details refer to "K12 SYSTEM BRACKETS".

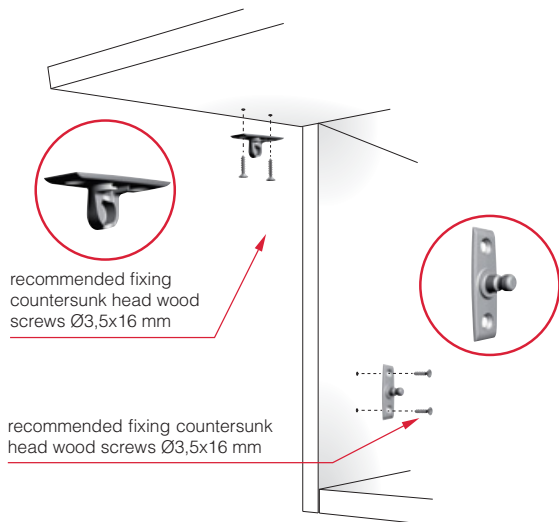


VERY IMPORTANT



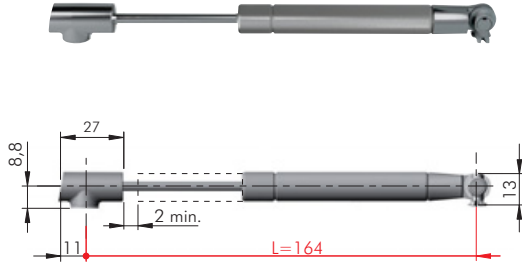
SCREW FIXING BRACKETS INSTALLATION

- For details refer to "K12 SYSTEM BRACKETS".








K12 SYSTEM 164 mm - LIFT UP - Automatic version



ZAnk EP ST

 = 100 pcs.

	
48010420UZ	50
48010460UZ	80
48010500UZ	100
48010540UZ	120

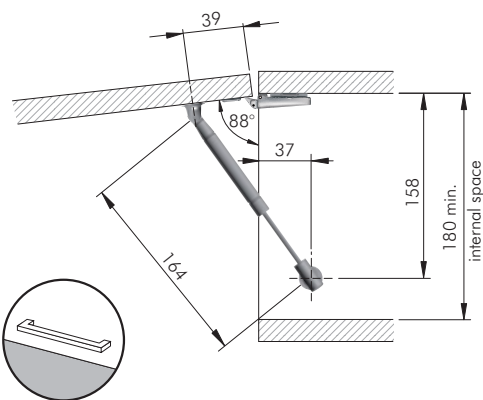


h	Door weight (Kg)															
	1	1,5	2	2,5	3	3,5	4	4,5	5	5,5	6	6,5	7	7,5	8	8,5
200	2 x 50N						2 x 100N		2 x 120N		3 x 120N		4 x 100N		4 x 120N	
250	2 x 50N			2 x 80N			2 x 100N		2 x 120N		3 x 120N		4 x 100N		4 x 120N	
300	2 x 50N		2 x 80N		2 x 100N		2 x 120N		3 x 100N		3 x 120N		4 x 100N		4 x 120N	

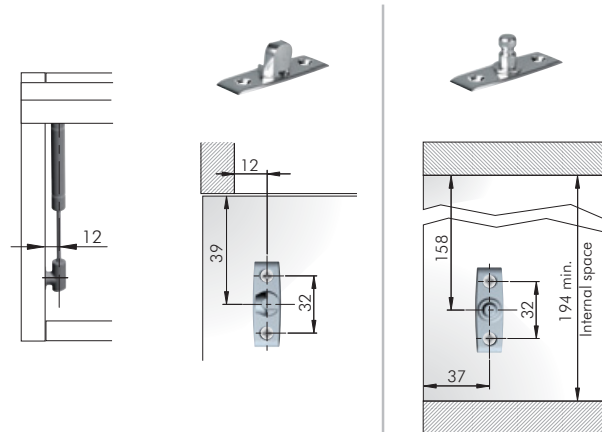
Rev. 01

These are experimental results to be checked by the customer. Our Technical Department is at your disposal to test further cases out of this chart.

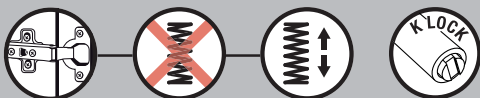
BRACKETS Ø15:



SCREW FIXING BRACKETS:

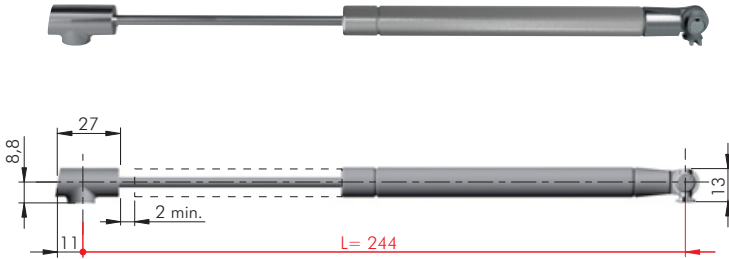


The dimensions of the above drilling plan refer to carcasses which use **standard sprung or unsprung hinges** and mounting plates 0 mm. Please note that the opening angle shown data is purely indicative. It varies with respect to the hinge brand and adjustment carried out.





Please note that in case of use of **unsprung or negative hinges**, **magnet K Lock** is required. For details refer to section "PUSH CATCHES & MAGNETIC CATCHES".

K12 SYSTEM 244 mm - LIFT UP - Automatic version



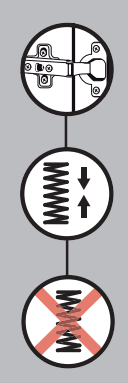
ZAnk EP ST  = 50 pcs.

	
48020420UZ	50
48020460UZ	80
48020480UZ	100
48020500UZ	120
48020540UZ	140
48020560UZ	160
48020580UZ	180

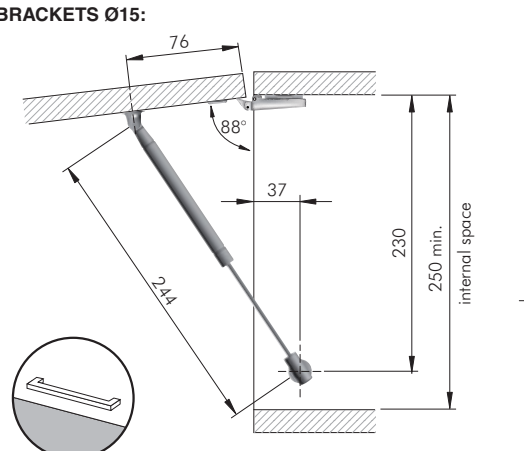
Rev. 01

h	Door weight (Kg)																																	
	1	1,5	2	2,5	3	3,5	4	4,5	5	5,5	6	6,5	7	7,5	8	8,5	9	9,5	10	10,5	11	11,5	12	12,5	13	13,5	14	14,5	15	15,5	16	16,5	17	17,5
300	1 x 50N	1 x 80N	2 x 50N	2 x 80N				2 x 100N		2 x 120N		2 x 140N		2 x 160N		2 x 180N				3 x 140N		3 x 160N												
350	1 x 50N	1 x 80N	2 x 50N	2 x 80N				2 x 100N		2 x 120N		2 x 140N		2 x 160N		2 x 180N				3 x 140N		3 x 160N												
400	1 x 50N	1 x 80N	2 x 50N	2 x 80N		2 x 100N		2 x 120N		2 x 140N		2 x 160N		2 x 180N				3 x 140N				3 x 160N												
450	1 x 50N	2 x 50N		2 x 80N		2 x 100N		2 x 120N		2 x 140N		2 x 160N		2 x 180N		3 x 160N		3 x 180N		4 x 160N		4 x 180N												
500	1 x 50N	2 x 50N		2 x 80N		2 x 100N		2 x 120N		2 x 140N		2 x 160N		2 x 180N		3 x 160N		3 x 180N		4 x 160N		4 x 180N												

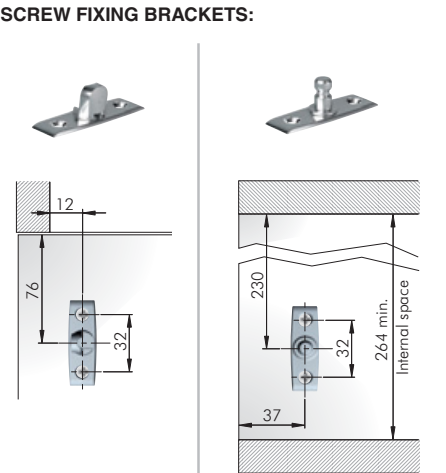
These are experimental results to be checked by the customer. Our Technical Department is at your disposal to test further cases out of this chart.



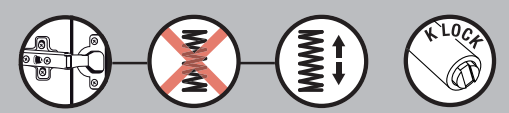
BRACKETS Ø15:



SCREW FIXING BRACKETS:



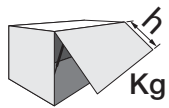
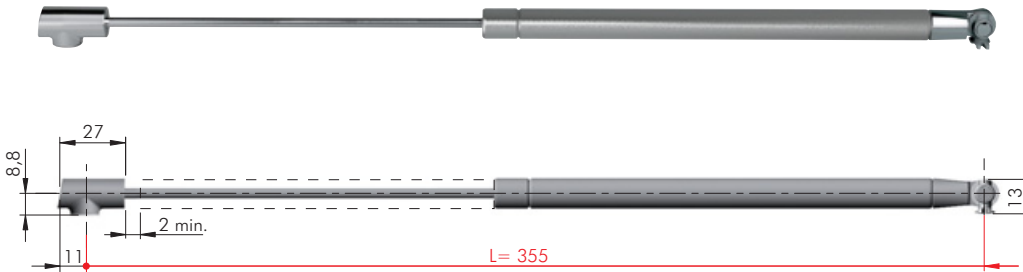
The dimensions of the above drilling plan refer to carcasses which use **standard sprung or unsprung hinges** and mounting plates 0 mm. Please note that the opening angle shown data is purely indicative. It varies with respect to the hinge brand and adjustment carried out.



Please note that in case of use of **unsprung or negative hinges**, **magnet K Lock** is required. For details refer to section "PUSH CATCHES & MAGNETIC CATCHES".



K12 SYSTEM 355 mm - LIFT UP - Automatic version



ZAnk	EP	ST	= 50 pcs.
		N	
48030430UZ		60	
48030470UZ		90	
48030490UZ		110	
48030510UZ		130	

Rev. 01

h	Door weight (Kg)																																	
	1	1,5	2	2,5	3	3,5	4	4,5	5	5,5	6	6,5	7	7,5	8	8,5	9	9,5	10	10,5	11	11,5	12	12,5	13	13,5	14	14,5	15	15,5	16	16,5	17	17,5
400	1 x 60N		1 x 90N		2 x 60N				2 x 90N				2 x 110N				2 x 130N				3 x 110N				3 x 130N									
450	1 x 60N		1 x 90N		2 x 60N				2 x 90N				2 x 110N				2 x 130N				3 x 110N				3 x 130N		4 x 110N							
500	1 x 60N		1 x 90N		2 x 60N				2 x 90N				2 x 110N				2 x 130N				3 x 110N				3 x 130N				4 x 110N					
550	1 x 60N		1 x 90N		2 x 60N		2 x 90N		2 x 110N		2 x 130N		3 x 110N				3 x 130N				4 x 110N				4 x 130N									
600	1 x 90N		2 x 60N		2 x 90N		2 x 110N		2 x 130N				3 x 110N				3 x 130N				4 x 110N				4 x 130N									

These are experimental results to be checked by the customer. Our Technical Department is at your disposal to test further cases out of this chart.

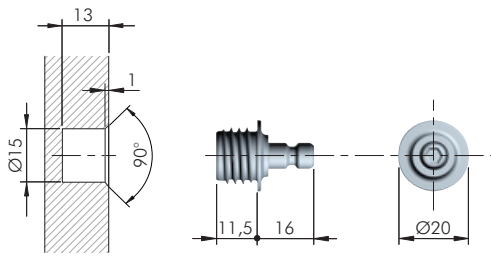
BRACKETS Ø15:


SCREW FIXING BRACKETS:

The dimensions of the above drilling plan refer to carcasses which use **standard sprung or unprung hinges** and mounting plates 0 mm. Please note that the opening angle shown data is purely indicative. It varies with respect to the hinge brand and adjustment carried out.

Please note that in case of use of **unprung or negative hinges**, **magnet K Lock** is required. For details refer to section "PUSH CATCHES & MAGNETIC CATCHES".

K12 SYSTEM BRACKETS



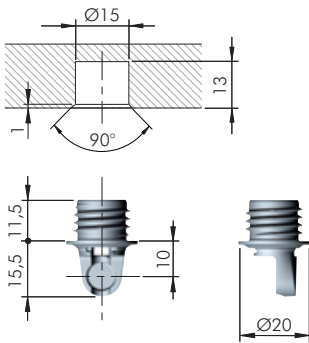
 = Ø 15 mm


ZA

 = 50 pcs.




48040120YA



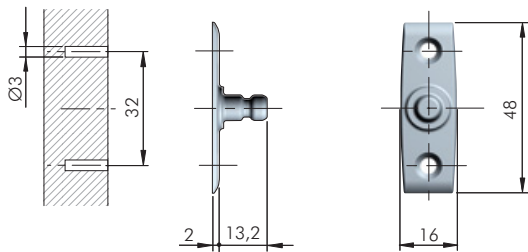
 = Ø 15 mm


ZA

 = 50 pcs.



48040160YA

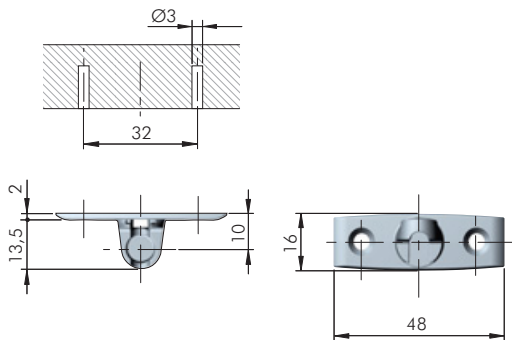



 = Ø 3 mm

ZA



48080120YA



 = Ø 3 mm

ZA



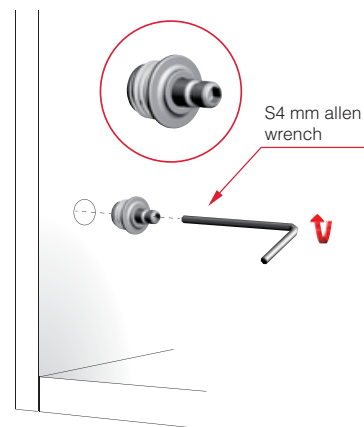
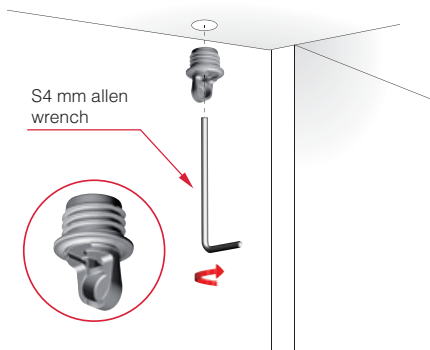
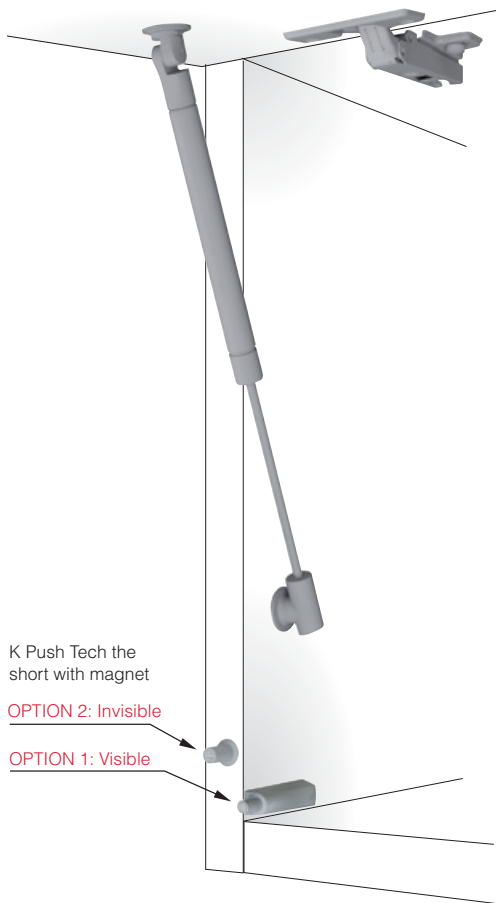
48080100YA

K12 SYSTEM LIFT UP WITH STANDARD UNSPRUNG OR NEGATIVE HINGES AUTOMATIC OPENING DOOR WITH K PUSH TECH THE SHORT WITH MAGNET

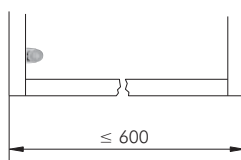


INSTALLATION

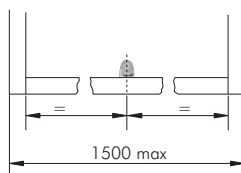
- For details refer to "K12 SYSTEM BRACKETS".



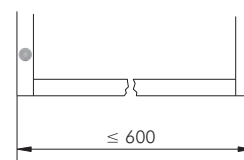
INSTALLATION OF K PUSH TECH THE SHORT WITH MAGNET THROUGH ADAPTER HOUSING OPTION 1: VISIBLE



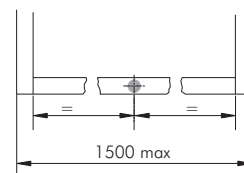
1 piece for door width ≤ 600 mm to be placed on same side as the K12 System.



INSTALLATION OF K PUSH TECH THE SHORT WITH MAGNET TO BE EMBEDDED INSIDE THE PANEL OPTION 2: INVISIBLE



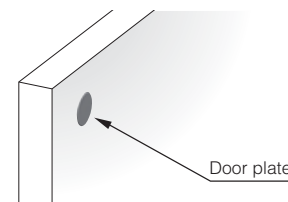
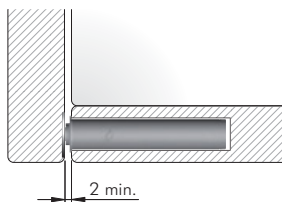
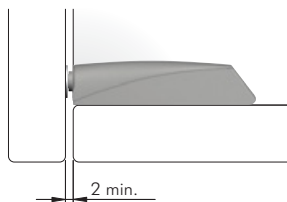
1 piece for door width ≤ 600 mm to be placed on same side as the K12 System.



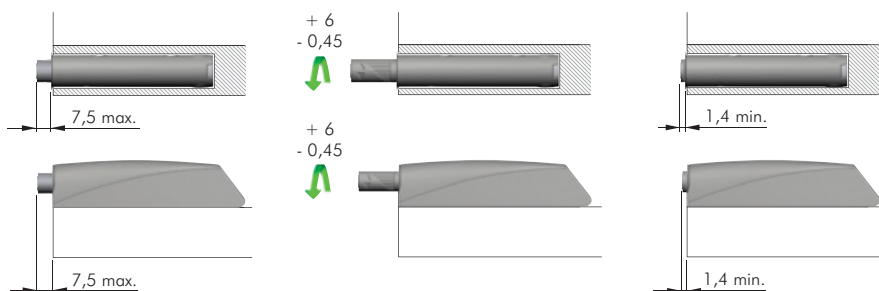
- Our technical department is at your disposal to test wider doors.

K PUSH TECH THE SHORT WITH MAGNET VISIBLE OR INVISIBLE VERSION AND K PUSH TECH PLATE FOR THE DOOR

- For details refer to section "PUSH CATCHES & MAGNETIC CATCHES".



K PUSH TECH ADJUSTMENTS





K12 SYSTEM 164 mm - LIFT UP - Automatic version

BRACKETS Ø15:

SCREW FIXING BRACKETS:

The dimensions of the drilling plan refer to carcasses which use **standard unsprung or negative hinges** and mounting plates 0 mm. Please note that the opening angle shown data is purely indicative. It varies with respect to the hinge brand and adjustment carried out.

For pistons quantity and strength to be chosen according to door size, refer to the chart for "K12 SYSTEM 164 mm - LIFT UP - Automatic version".

Please note that utilization with **standard sprung hinges** and **K Push Tech with buffer** is also possible. In such case, after the door is initially released by K Push Tech, a manual opening approx. 7cm is required (in order to win the spring resistance). Consequently, the door will automatically open to the fullest. For details refer to section "PUSH CATCHES & MAGNETIC CATCHES".



K12 SYSTEM 244 mm - LIFT UP - Automatic version

BRACKETS Ø15:

SCREW FIXING BRACKETS:

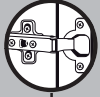
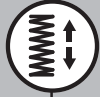


The dimensions of the drilling plan refer to carcasses which use **standard unsprung or negative hinges** and mounting plates 0 mm. Please note that the opening angle shown data is purely indicative. It varies with respect to the hinge brand and adjustment carried out.

For pistons quantity and strength to be chosen according to door size, refer to the chart for "K12 SYSTEM 244 mm - LIFT UP - Automatic version".

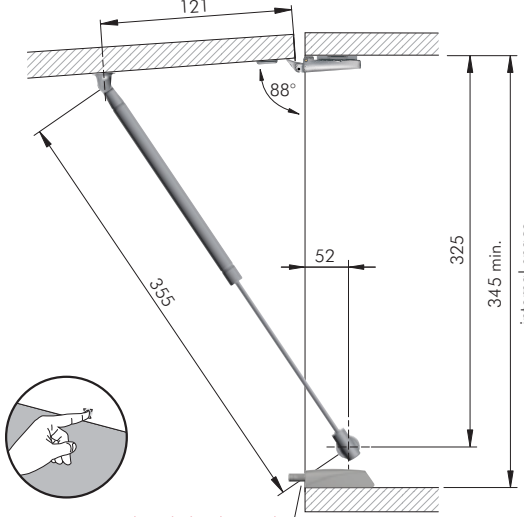
Please note that utilization with **standard sprung hinges** and **K Push Tech with buffer** is also possible. In such case, after the door is initially released by K Push Tech, a manual opening approx. 7cm is required (in order to win the spring resistance). Consequently, the door will automatically open to the fullest. For details refer to section "PUSH CATCHES & MAGNETIC CATCHES".



K12 SYSTEM 355 mm - LIFT UP - Automatic version

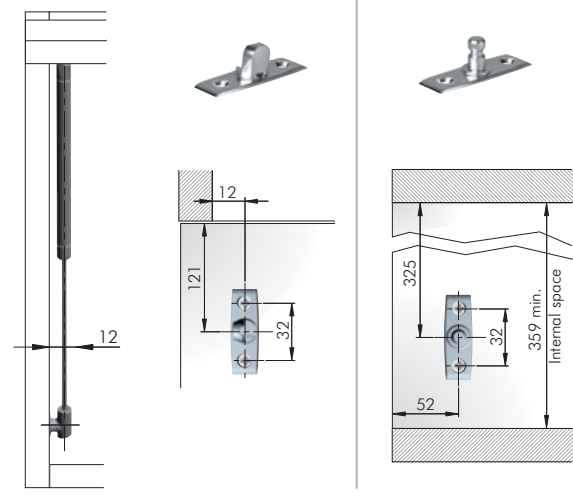





BRACKETS Ø15:




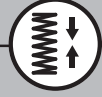

K Push Tech the short with magnet visible or invisible

SCREW FIXING BRACKETS:



The dimensions of the drilling plan refer to carcasses which use **standard unsprung or negative hinges** and mounting plates 0 mm.
Please note that the opening angle shown data is purely indicative. It varies with respect to the hinge brand and adjustment carried out.

For pistons quantity and strength to be chosen according to door size, refer to the chart for "K12 SYSTEM 355 mm - LIFT UP - Automatic version".

Please note that utilization with **standard sprung hinges** and **K Push Tech with buffer** is also possible. In such case, after the door is initially released by K Push Tech, a manual opening approx. 7cm is required (in order to win the spring resistance). Consequently, the door will automatically open to the fullest.
For details refer to section "PUSH CATCHES & MAGNETIC CATCHES".



K12 SYSTEM DROP DOWN WITH STANDARD SPRUNG HINGES

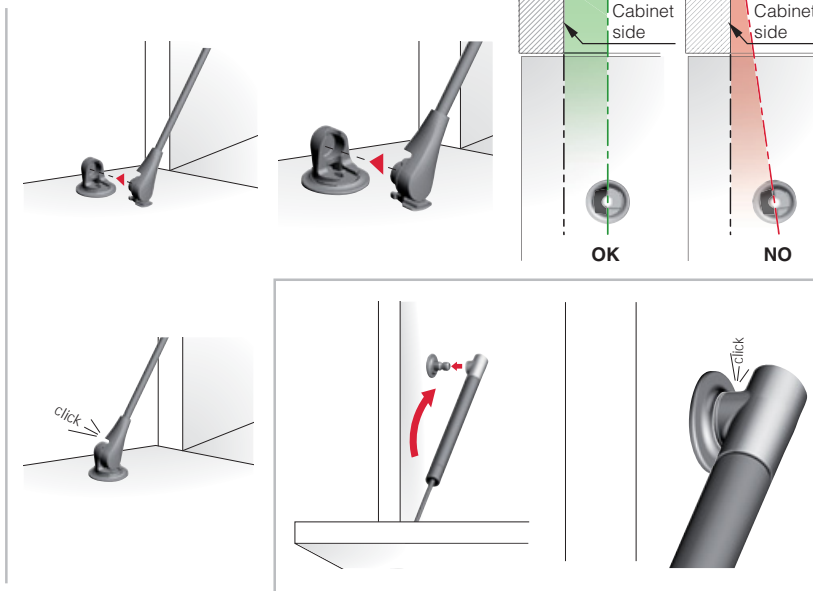
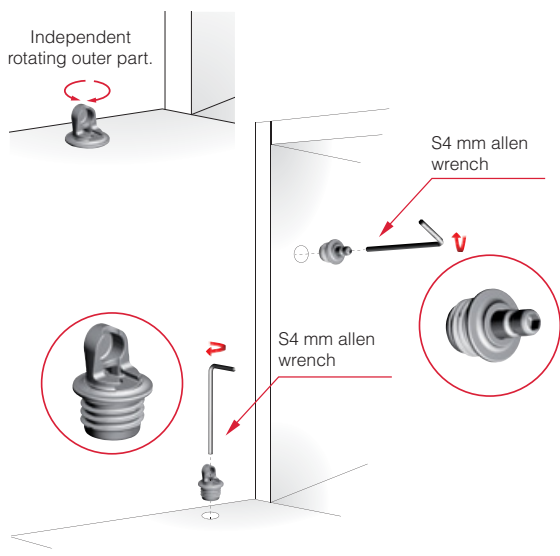


REGISTERED DESIGN
UNI 8607/05 Level 5

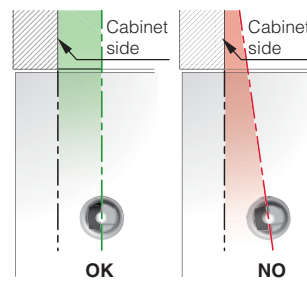


BRACKET Ø15 INSTALLATION

- For details refer to "K12 SYSTEM BRACKETS".

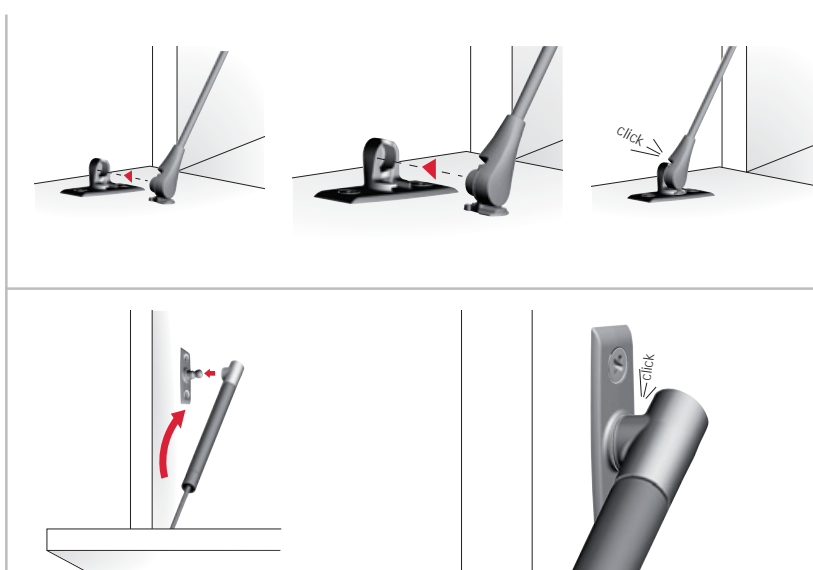
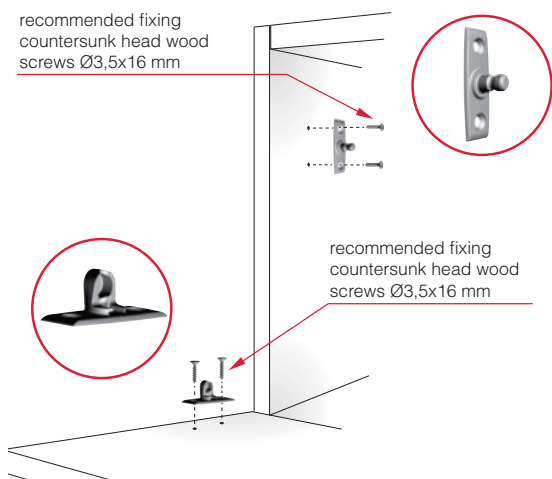


VERY IMPORTANT

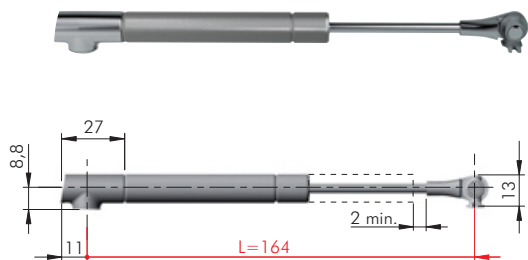


SCREW FIXING BRACKETS INSTALLATION

- For details refer to "K12 SYSTEM BRACKETS".

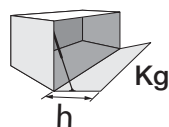


K12 SYSTEM 164 mm - DROP DOWN



ZAnk EP ST

 = 100 pcs.

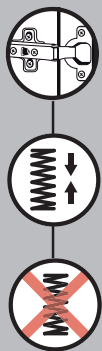


Rev. 01

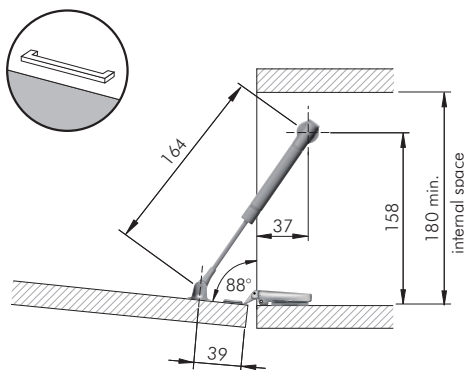
h	Door weight (Kg)										
	1	2	3	4	5	6	7	8	9	10	11
200	1 x K12	2 x K12		3 x K12			4 x K12				
250	1 x K12	2 x K12		3 x K12		4 x K12					
300	1 x K12	2 x K12		3 x K12		4 x K12					

These are experimental results to be checked by the customer. **For a better function and for safety reasons, we suggest to use at least two stays per piece of furniture.** Our technical department is at your disposal to test further cases out of this chart.

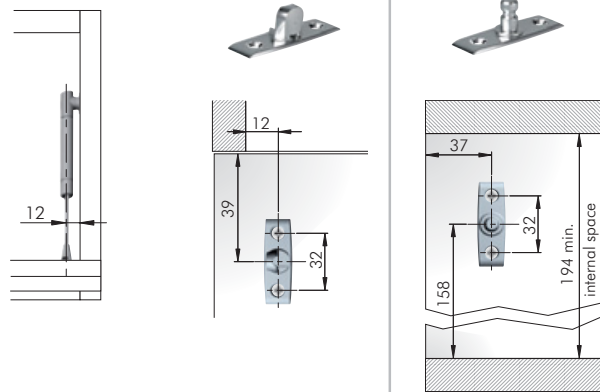
8



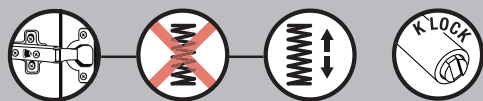
BRACKETS Ø15:



SCREW FIXING BRACKETS:



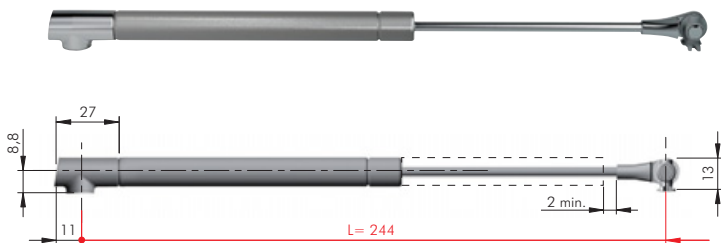
The dimensions of the drilling plan refer to carcasses which use **standard sprung hinges** and mounting plates 0 mm. Please note that the opening angle shown data is purely indicative. It varies with respect to the hinge brand and adjustment carried out.



Please note that in case of use of **unsprung or negative hinges**, magnet **K Lock** is required. For details refer to section "PUSH CATCHES & MAGNETIC CATCHES".



K12 SYSTEM 244 mm - DROP DOWN

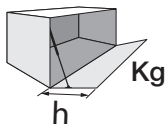


ZAnk EP ST

 = 50 pcs.

 48060200UZ

 0



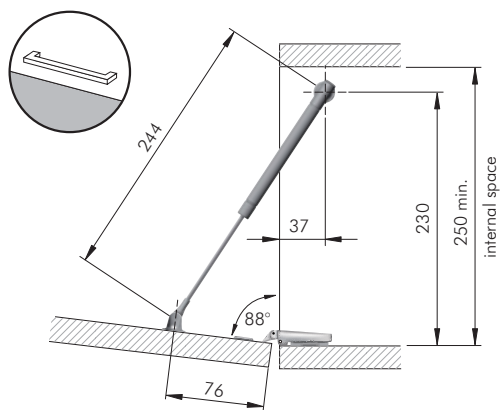
Rev. 01

h	Door weight (Kg)																	
	1	2	3	4	5	6	7	8	9	10	11	12	13	14	15	16	17	18
300	1 x K12			2 x K12			3 x K12			4 x K12								
350	1 x K12		2 x K12		3 x K12				4 x K12									
400	1 x K12		2 x K12		3 x K12			4 x K12										
450	1 x K12		2 x K12		3 x K12		4 x K12											
500	1 x K12		2 x K12		3 x K12		4 x K12											

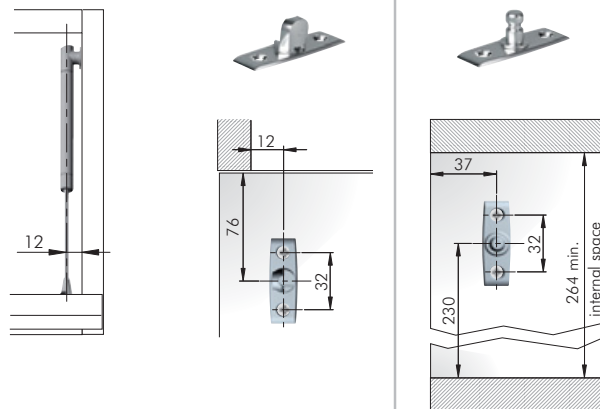
These are experimental results to be checked by the customer. **For a better function and for safety reasons, we suggest to use at least two stays per piece of furniture.** Our technical department is at your disposal to test further cases out of this chart.

8

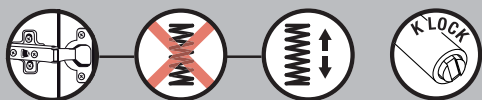
BRACKETS Ø15:



SCREW FIXING BRACKETS:



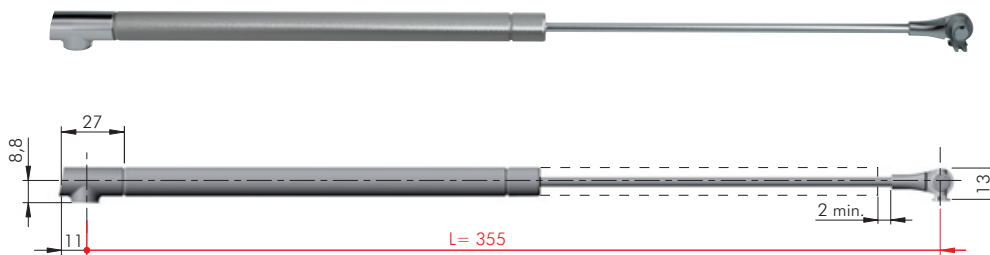
The dimensions of the drilling plan refer to carcasses which use **standard sprung hinges** and mounting plates 0 mm. Please note that the opening angle shown data is purely indicative. It varies with respect to the hinge brand and adjustment carried out.



Please note that in case of use of **unsprung or negative hinges**, **magnet K Lock** is required. For details refer to section "PUSH CATCHES & MAGNETIC CATCHES".



K12 SYSTEM 355 mm - DROP DOWN



ZAnk EP ST

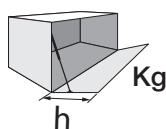
= 50 pcs.



48070200UZ



0

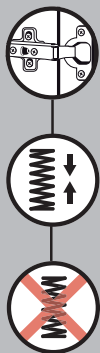


Rev. 01

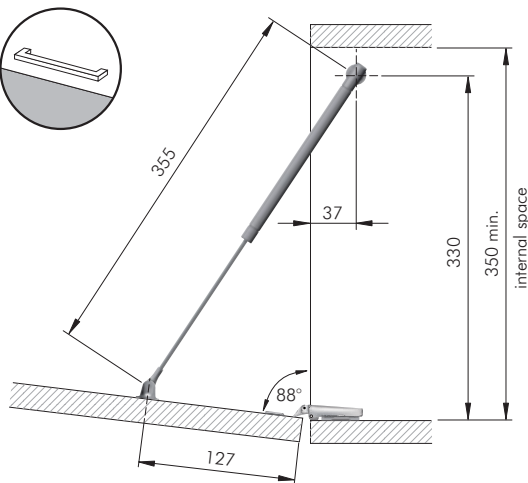
h	Door weight (Kg)																	
	1	2	3	4	5	6	7	8	9	10	11	12	13	14	15	16	17	18
400				1 x K12			2 x K12						3 x K12					
450				1 x K12			2 x K12						3 x K12			4 x K12		
500				1 x K12			2 x K12						3 x K12			4 x K12		
550				1 x K12			2 x K12			3 x K12						4 x K12		
600	1 x K12			2 x K12			3 x K12						4 x K12					

These are experimental results to be checked by the customer. For a better function and for safety reasons, we suggest to use at least two stays per piece of furniture. Our technical department is at your disposal to test further cases out of this chart.

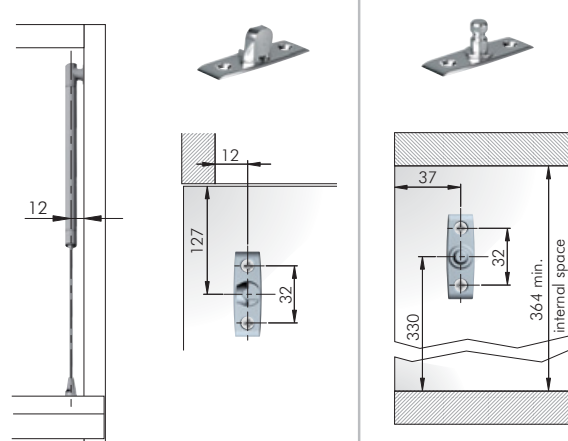
8



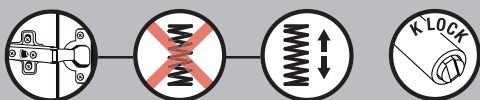
BRACKETS Ø15:



SCREW FIXING BRACKETS:



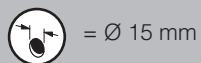
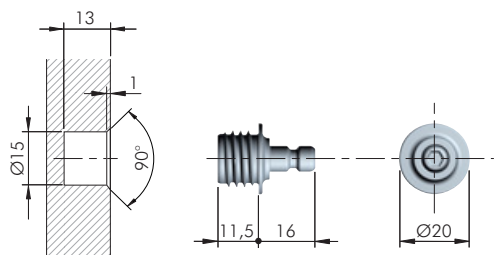
The dimensions of the drilling plan refer to carcasses which use **standard sprung hinges** and mounting plates 0 mm. Please note that the opening angle shown data is purely indicative. It varies with respect to the hinge brand and adjustment carried out.



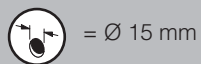
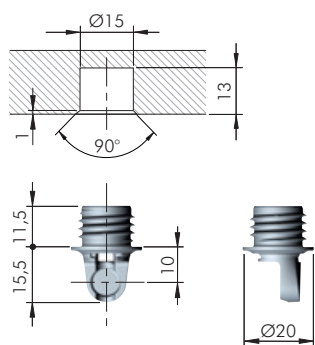
Please note that in case of use of **unsprung or negative hinges**, **magnet K Lock** is required. For details refer to section "PUSH CATCHES & MAGNETIC CATCHES".



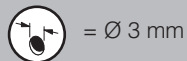
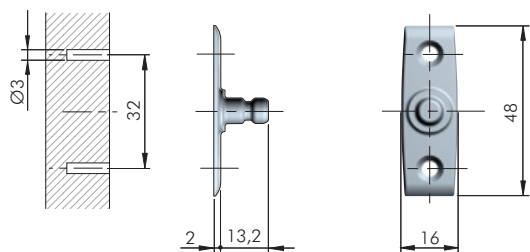
K12 SYSTEM BRACKETS



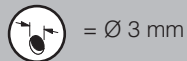
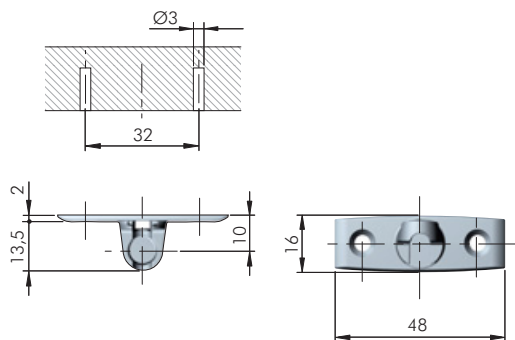
48040120YA



48040160YA



48080120YA



48080100YA

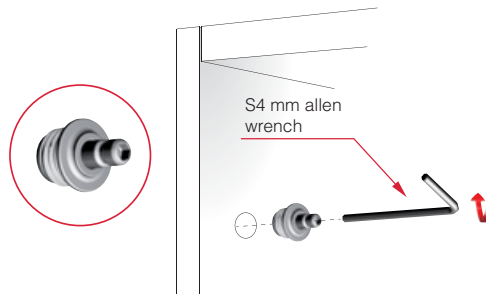
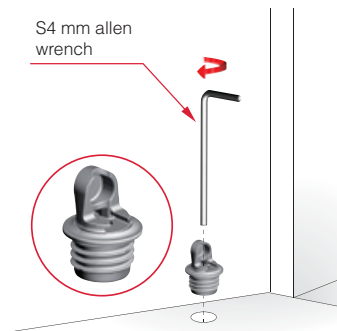
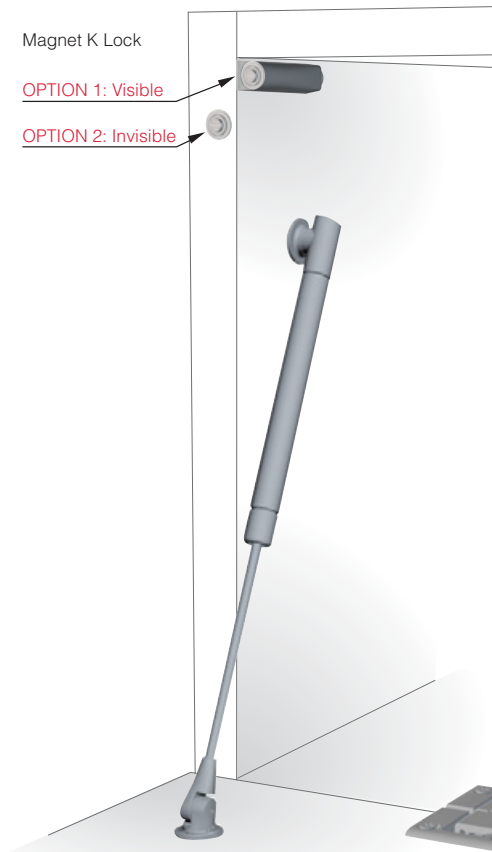


K12 SYSTEM DROP DOWN WITH KIMANA HINGES AND MAGNET K LOCK

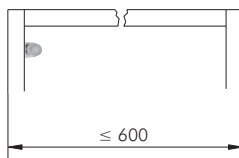


INSTALLATION

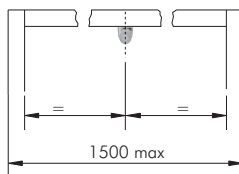
- For details refer to "K12 SYSTEM BRACKETS".



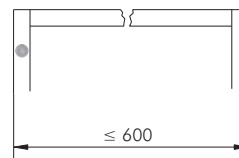
INSTALLATION OF MAGNET K LOCK THROUGH ADAPTER HOUSING OPTION 1: VISIBLE



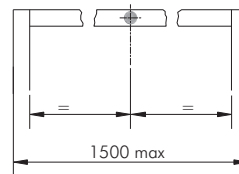
1 piece for door width ≤ 600 mm to be placed on same side as the K12 System.



INSTALLATION OF MAGNET K LOCK TO BE EMBEDDED INSIDE THE PANEL OPTION 2: INVISIBLE



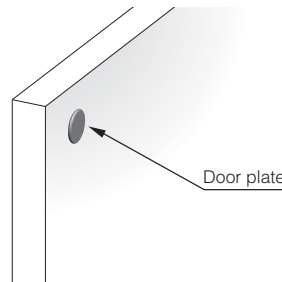
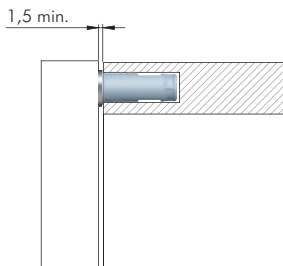
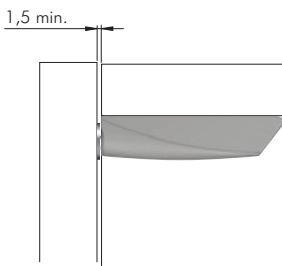
1 piece for door width ≤ 600 mm to be placed on same side as the K12 System.



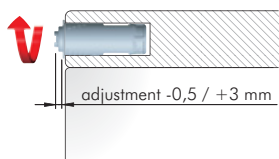
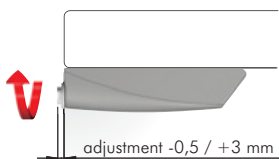
- Our technical department is at your disposal to test wider doors.

MAGNET K LOCK VISIBLE OR INVISIBLE VERSION AND K LOCK PLATE FOR THE DOOR

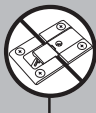


- For details refer to section "PUSH CATCHES & MAGNETIC CATCHES".



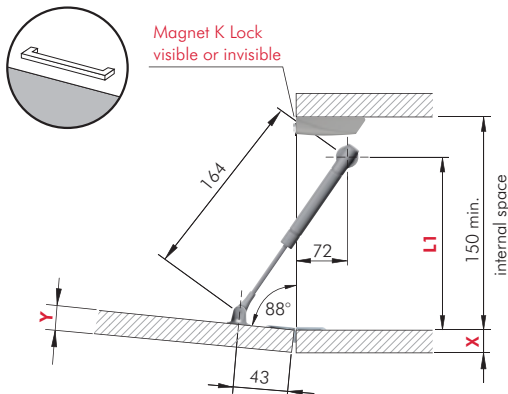
K LOCK ADJUSTMENTS



K12 SYSTEM 164 mm - DROP DOWN

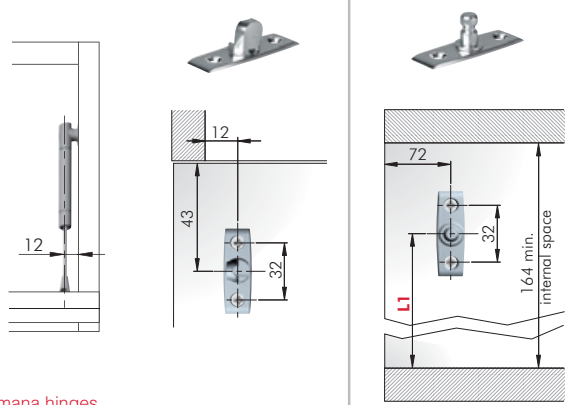
BRACKETS Ø15:





The dimensions of the above drilling plan refer to carcasses which use *Kimana* hinges.

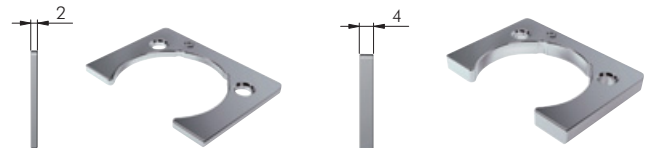
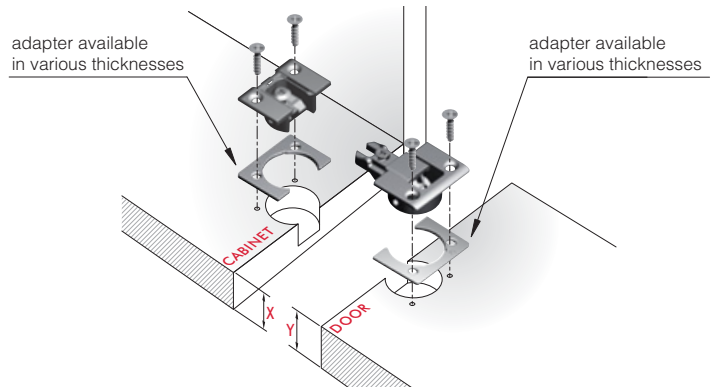
VERY IMPORTANT: for *Kimana* hinges at least 2 K12 System stays are required for any door width.

SCREW FIXING BRACKETS:



For pistons quantity to be specified according to door size, refer to the chart for "K12 System 164 mm - DROP DOWN".

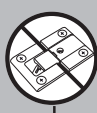


X + 	Y + 	L1
16 + 4	16 + 2	129
16 + 4	19	131
18 + 2	19	129
19	16 + 2	125
19	19	127
20	20	127



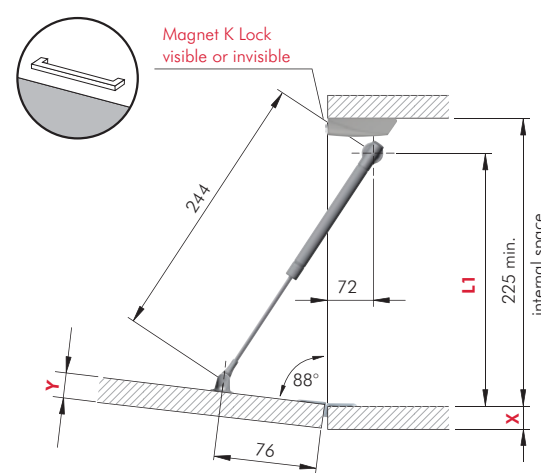
For *Kimana* and adapter details refer to section "HINGES".



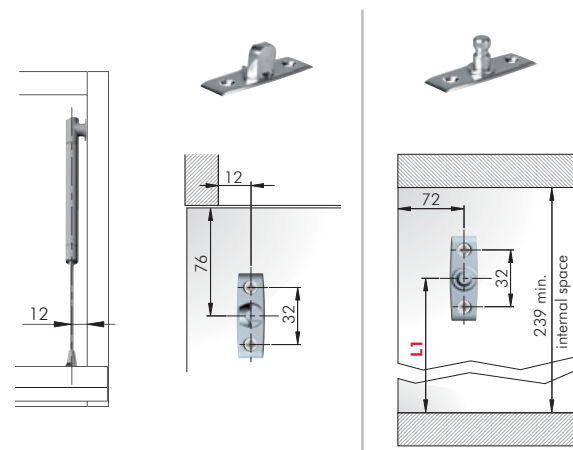
K12 SYSTEM 244 mm - DROP DOWN

BRACKETS Ø15:





SCREW FIXING BRACKETS:

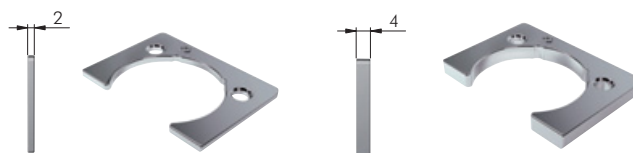
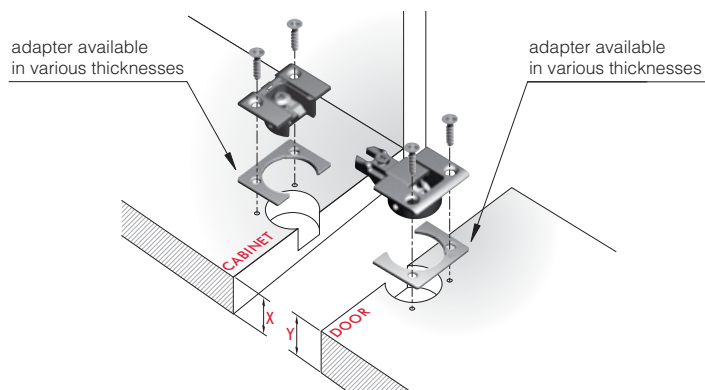


The dimensions of the above drilling plan refer to carcasses which use **Kimana hinges**.

VERY IMPORTANT: for Kimana hinges at least 2 K12 System stays are required for any door width.

For pistons quantity to be specified according to door size, refer to the chart for "K12 System 244 mm - DROP DOWN".

X + 	Y + 	L1
16 + 4	16 + 2	208
16 + 4	19	210
18 + 2	19	208
19	16 + 2	204
19	19	206
20	20	206



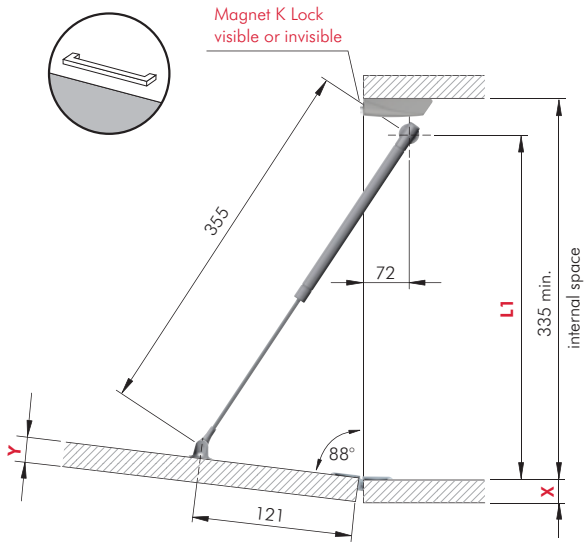
For Kimana and adapter details refer to section "HINGES".



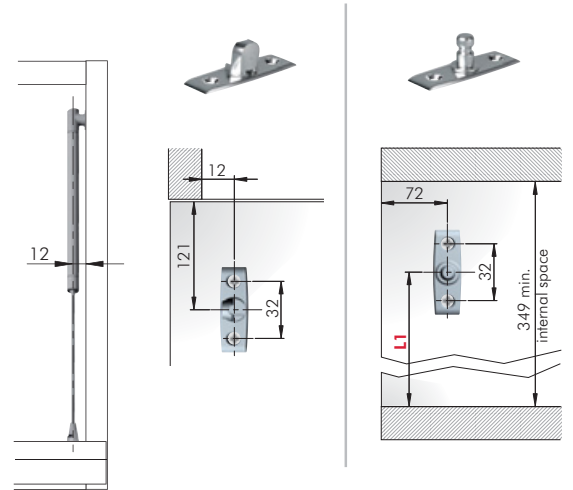
K12 SYSTEM 355 mm - DROP DOWN



BRACKETS Ø15:



SCREW FIXING BRACKETS:



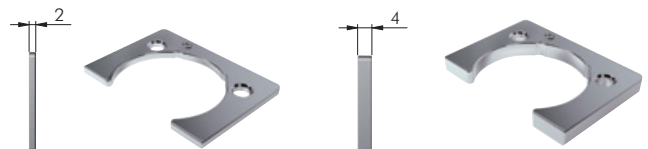
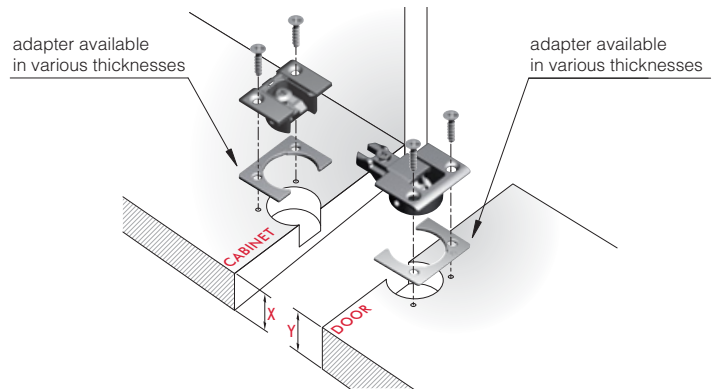
The dimensions of the above drilling plan refer to carcasses which use **Kimana hinges**.

VERY IMPORTANT: for Kimana hinges at least 2 K12 System stays are required for any door width.

8

For pistons quantity to be specified according to door size, refer to the chart for "K12 System 355 mm - DROP DOWN".

X +	Y +	L1
16 + 4	16 + 2	314
16 + 4	19	316
18 + 2	19	314
19	16 + 2	310
19	19	312
20	20	312



For Kimana and adapter details refer to section "HINGES".

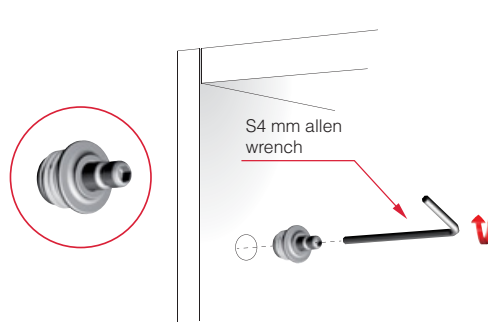
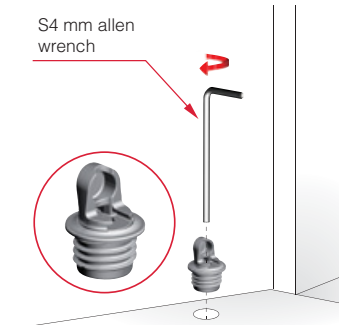
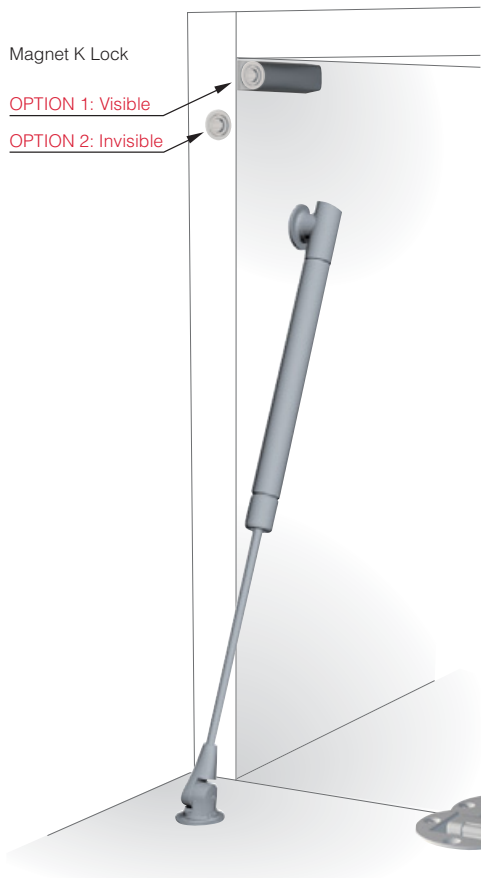


K12 SYSTEM DROP DOWN WITH FLAP HINGES AND MAGNET K LOCK

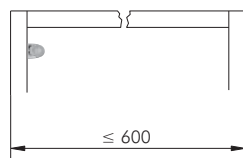


INSTALLATION

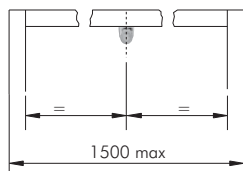
- For details refer to "K12 SYSTEM BRACKETS".



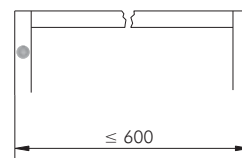
INSTALLATION OF MAGNET K LOCK THROUGH ADAPTER HOUSING OPTION 1: VISIBLE



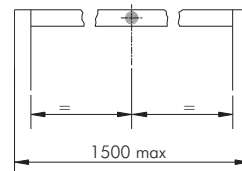
1 piece for door width ≤ 600 mm to be placed on same side as the K12 System.



INSTALLATION OF MAGNET K LOCK TO BE EMBEDDED INSIDE THE PANEL OPTION 2: INVISIBLE



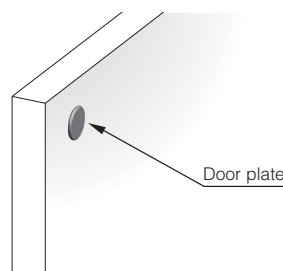
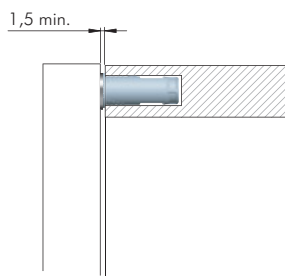
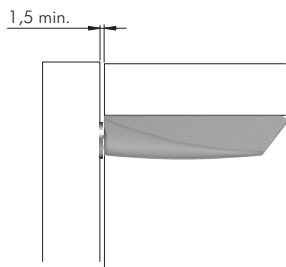
1 piece for door width ≤ 600 mm to be placed on same side as the K12 System.



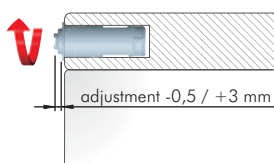
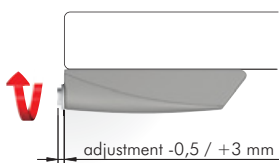
- Our technical department is at your disposal to test wider doors.

MAGNET K LOCK VISIBLE OR INVISIBLE VERSION AND K LOCK PLATE FOR THE DOOR

- For details refer to section "PUSH CATCHES & MAGNETIC CATCHES".



K LOCK ADJUSTMENTS





K12 SYSTEM 164 mm - DROP DOWN

BRACKETS Ø15:

The dimensions of the drilling plan refer to carcasses which use **flap hinges**.

SCREW FIXING BRACKETS:

For pistons quantity to be specified according to door size, refer to the chart for "K12 SYSTEM 164 mm - DROP DOWN".



K12 SYSTEM 244 mm - DROP DOWN

BRACKETS Ø15:

The dimensions of the above drilling plan refer to carcasses which use **flap hinges**.

SCREW FIXING BRACKETS:

For pistons quantity to be specified according to door size, refer to the chart for "K12 SYSTEM 244 mm - DROP DOWN".



K12 SYSTEM 355 mm - DROP DOWN

BRACKETS Ø15:

Magnet K Lock visible or invisible

SCREW FIXING BRACKETS:

The dimensions of the above drilling plan refer to carcasses which use flap hinges.

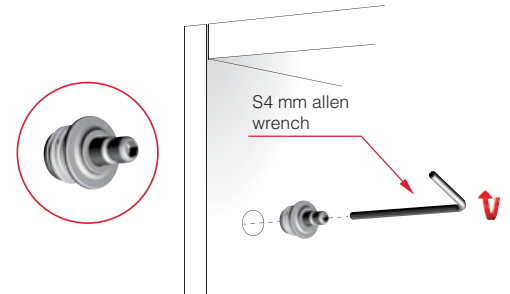
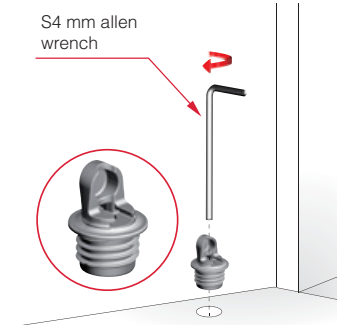
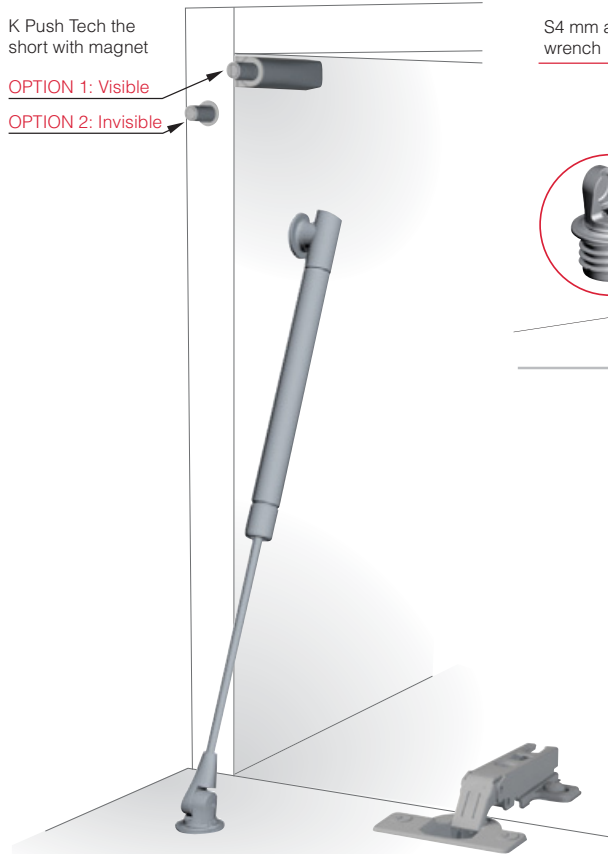
For pistons quantity to be specified according to door size, refer to the chart for "K12 SYSTEM 355 mm - DROP DOWN".

K12 SYSTEM DROP DOWN WITH STANDARD UNSPRUNG OR NEGATIVE HINGES AUTOMATIC OPENING DOOR WITH K PUSH TECH THE SHORT WITH MAGNET

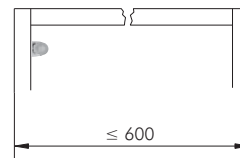


INSTALLATION

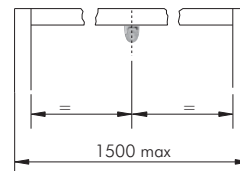
- For details refer to "K12 SYSTEM BRACKETS".



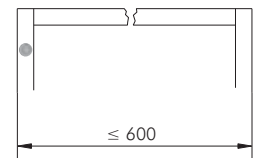
INSTALLATION OF K PUSH TECH THE SHORT WITH MAGNET THROUGH ADAPTER HOUSING OPTION 1: VISIBLE



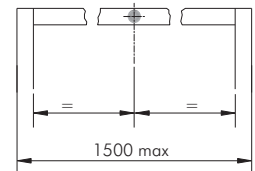
1 piece for door width ≤ 600 mm to be placed on same side as the K12 System.



INSTALLATION OF K PUSH TECH THE SHORT WITH MAGNET TO BE EMBEDDED INSIDE THE PANEL OPTION 2: INVISIBLE



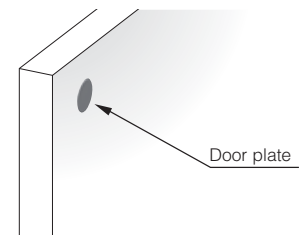
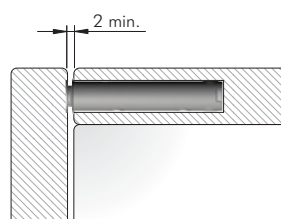
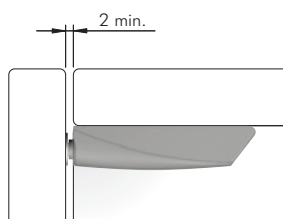
1 piece for door width ≤ 600 mm to be placed on same side as the K12 System.



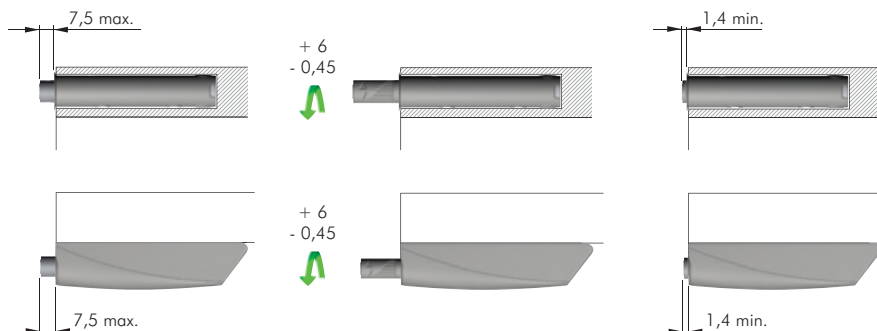
- Our technical department is at your disposal to test wider doors.

K PUSH TECH THE SHORT WITH MAGNET VISIBLE OR INVISIBLE VERSION AND K PUSH TECH PLATE FOR THE DOOR

- For details refer to section "PUSH CATCHES & MAGNETIC CATCHES".



K PUSH TECH ADJUSTMENTS





K12 SYSTEM 164 mm - DROP DOWN

BRACKETS Ø15:

K Push Tech the short with magnet visible or invisible

SCREW FIXING BRACKETS:

The dimensions of the drilling plan refer to carcasses which use **standard unsprung or negative hinges** and mounting plates 0 mm. Please note that the opening angle shown data is purely indicative. It varies with respect to the hinge brand and adjustment carried out.

For pistons quantity to be specified according to door size, refer to the chart for "K12 SYSTEM 164 mm - DROP DOWN".

Please note that utilization with **standard sprung hinges** and **K Push Tech with buffer** is also possible. In such case, after the door is initially released by K Push Tech, a manual opening approx. 7cm is required (in order to win the spring resistance). Consequently, the door will automatically open to the fullest. For details refer to section "PUSH CATCHES & MAGNETIC CATCHES".

K12 SYSTEM 244 mm - DROP DOWN

BRACKETS Ø15:

K Push Tech the short with magnet visible or invisible

SCREW FIXING BRACKETS:

The dimensions of the drilling plan refer to carcasses which use **standard unsprung or negative hinges** and mounting plates 0 mm. Please note that the opening angle shown data is purely indicative. It varies with respect to the hinge brand and adjustment carried out.

For pistons quantity to be specified according to door size, refer to the chart for "K12 SYSTEM 244 mm - DROP DOWN".

Please note that utilization with **standard sprung hinges** and **K Push Tech with buffer** is also possible. In such case, after the door is initially released by K Push Tech, a manual opening approx. 7cm is required (in order to win the spring resistance). Consequently, the door will automatically open to the fullest. For details refer to section "PUSH CATCHES & MAGNETIC CATCHES".



K12 SYSTEM 355 mm - DROP DOWN

BRACKETS Ø15:

K Push Tech the short with magnet visible or invisible

The dimensions of the drilling plan refer to carcasses which use **standard unsprung** or **negative hinges** and mounting plates 0 mm.
Please note that the opening angle shown data is purely indicative. It varies with respect to the hinge brand and adjustment carried out.

SCREW FIXING BRACKETS:

For pistons quantity to be specified according to door size, refer to the chart for "K12 SYSTEM 355 mm - DROP DOWN".

8

Please note that utilization with **standard sprung hinges** and **K Push Tech with buffer** is also possible. In such case, after the door is initially released by K Push Tech, a manual opening approx. 7cm is required (in order to win the spring resistance). Consequently, the door will automatically open to the fullest.
For details refer to section "PUSH CATCHES & MAGNETIC CATCHES".

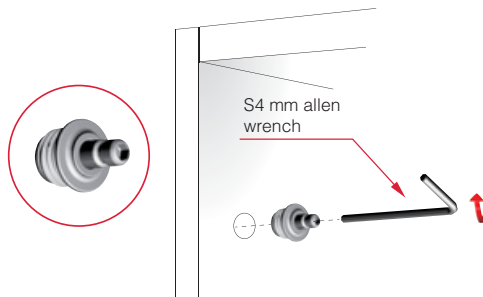
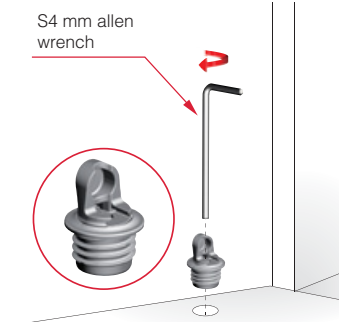
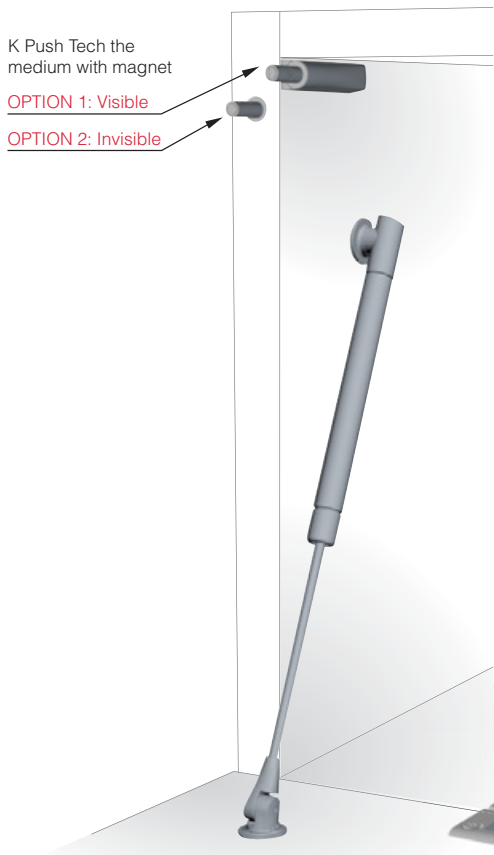


K12 SYSTEM DROP DOWN WITH KIMANA HINGES AUTOMATIC OPENING DOOR WITH K PUSH TECH THE MEDIUM WITH MAGNET

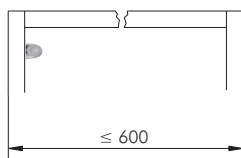


INSTALLATION

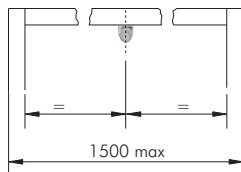
- For details refer to "K12 SYSTEM BRACKETS".



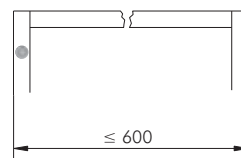
INSTALLATION OF K PUSH TECH THE MEDIUM WITH MAGNET THROUGH ADAPTER HOUSING OPTION 1: VISIBLE



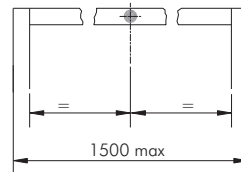
1 piece for door width ≤ 600 mm to be placed on same side as the K12 System.



INSTALLATION OF K PUSH TECH THE MEDIUM WITH MAGNET TO BE EMBEDDED INSIDE THE PANEL OPTION 2: INVISIBLE



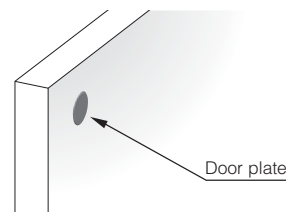
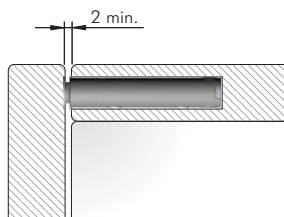
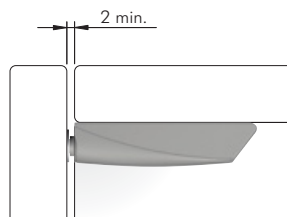
1 piece for door width ≤ 600 mm to be placed on same side as the K12 System.



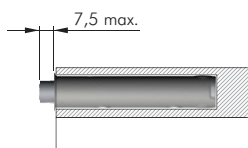
- Our technical department is at your disposal to test wider doors.

K PUSH TECH THE MEDIUM WITH MAGNET VISIBLE OR INVISIBLE VERSION AND K PUSH TECH PLATE FOR THE DOOR

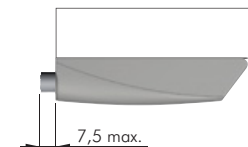
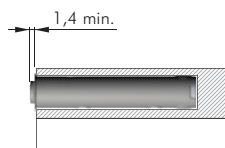
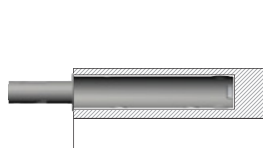
- For details refer to section "PUSH CATCHES & MAGNETIC CATCHES".



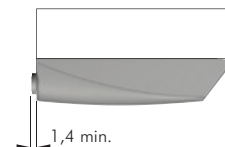
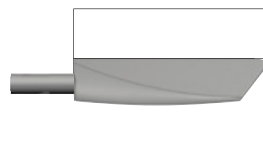
K PUSH TECH ADJUSTMENTS




+ 6
- 0,45



+ 6
- 0,45

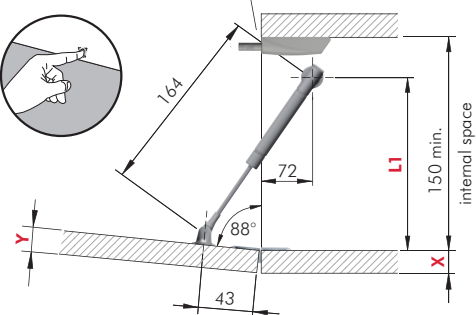


K12 SYSTEM 164 mm - DROP DOWN



BRACKETS Ø15:

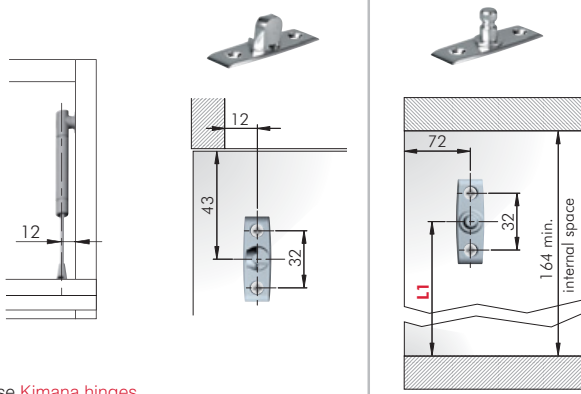
K Push Tech the medium with magnet visible or invisible





The dimensions of the above drilling plan refer to carcasses which use **Kimana hinges**.

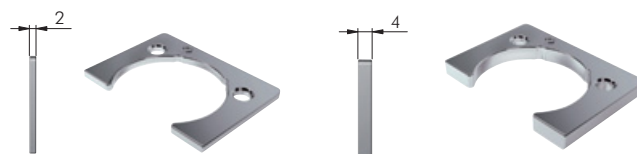
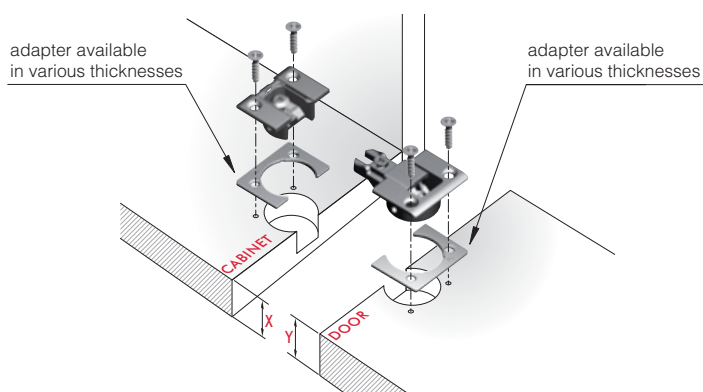
VERY IMPORTANT: for Kimana hinges at least 2 K12 System stays are required for any door width.

SCREW FIXING BRACKETS:



For pistons quantity to be specified according to door size, refer to the chart for "K12 System 164 mm - DROP DOWN".

X + 	Y + 	L1
16 + 4	16 + 2	129
16 + 4	19	131
18 + 2	19	129
19	16 + 2	125
19	19	127
20	20	127



For Kimana and adapter details refer to section "HINGES".



K12 SYSTEM 244 mm - DROP DOWN

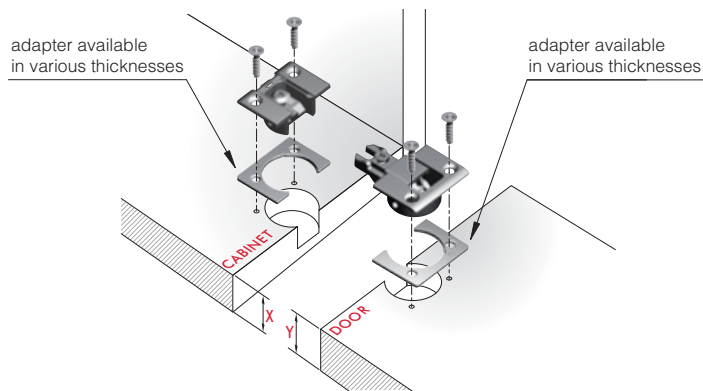
BRACKETS Ø15:

K Push Tech the medium with magnet visible or invisible

SCREW FIXING BRACKETS:

For pistons quantity to be specified according to door size, refer to the chart for "K12 System 244 mm - DROP DOWN".

X +	Y +	L1
16 + 4	16 + 2	208
16 + 4	19	210
18 + 2	19	208
19	16 + 2	204
19	19	206
20	20	206



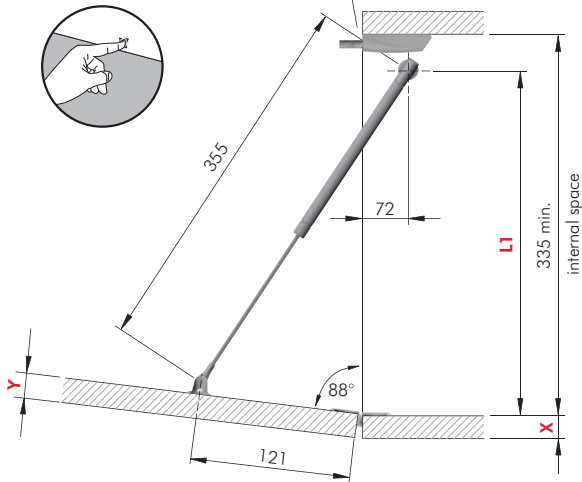
For Kimana and adapter details refer to section "HINGES".



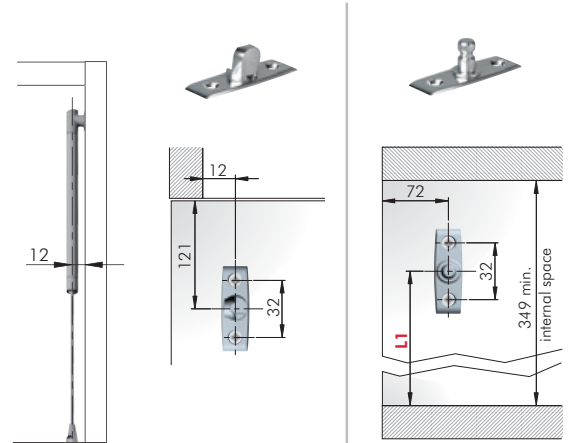
K12 SYSTEM 355 mm - DROP DOWN

BRACKETS Ø15:

K Push Tech the medium with magnet visible or invisible



SCREW FIXING BRACKETS:



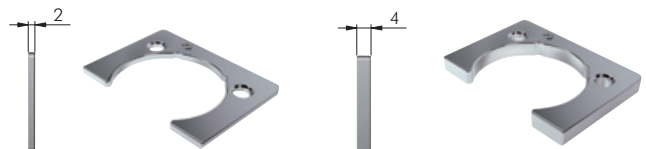
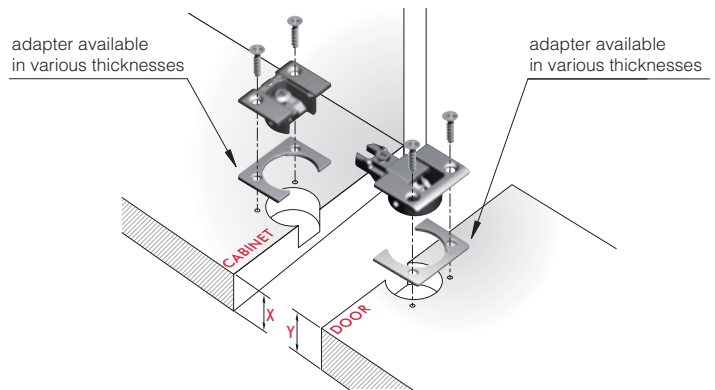
The dimensions of the above drilling plan refer to carcasses which use Kimana hinges.

VERY IMPORTANT: for Kimana hinges at least 2 K12 System stays are required for any door width.

For pistons quantity to be specified according to door size, refer to the chart for "K12 System 355 mm - DROP DOWN".

8

X +	Y +	L1
16 + 4	16 + 2	314
16 + 4	19	316
18 + 2	19	314
19	16 + 2	310
19	19	312
20	20	312



For Kimana and adapter details refer to section "HINGES".

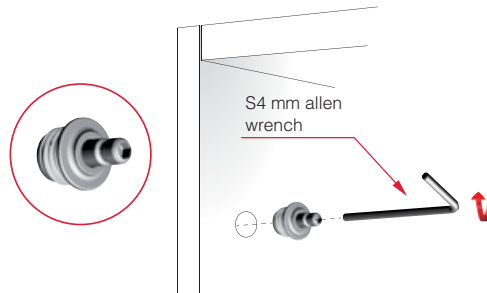
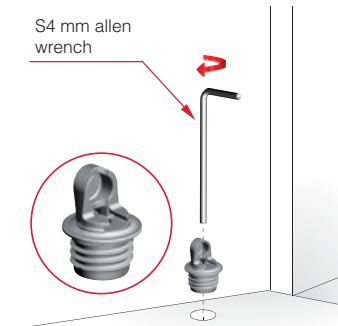
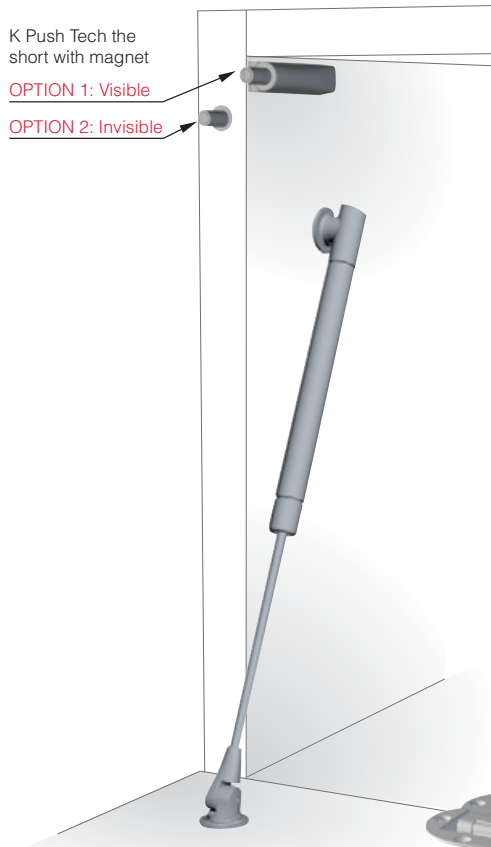


K12 SYSTEM DROP DOWN WITH FLAP HINGES AUTOMATIC OPENING DOOR WITH K PUSH TECH THE SHORT WITH MAGNET

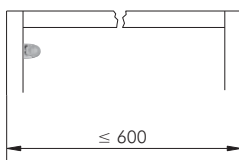


INSTALLATION

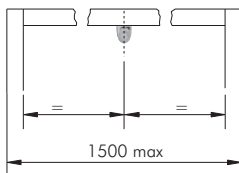
- For details refer to "K12 SYSTEM BRACKETS".



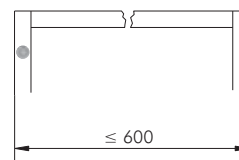
INSTALLATION OF K PUSH TECH THE SHORT WITH MAGNET THROUGH ADAPTER HOUSING OPTION 1: VISIBLE



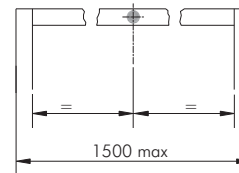
1 piece for door width ≤ 600 mm to be placed on same side as the K12 System.



INSTALLATION OF K PUSH TECH THE SHORT WITH MAGNET TO BE EMBEDDED INSIDE THE PANEL OPTION 2: INVISIBLE



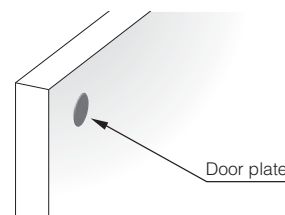
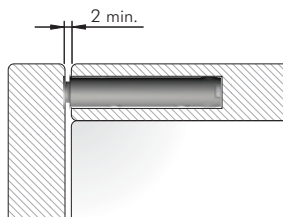
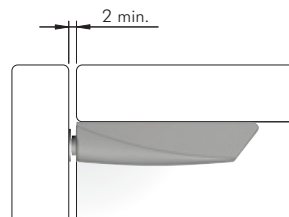
1 piece for door width ≤ 600 mm to be placed on same side as the K12 System.



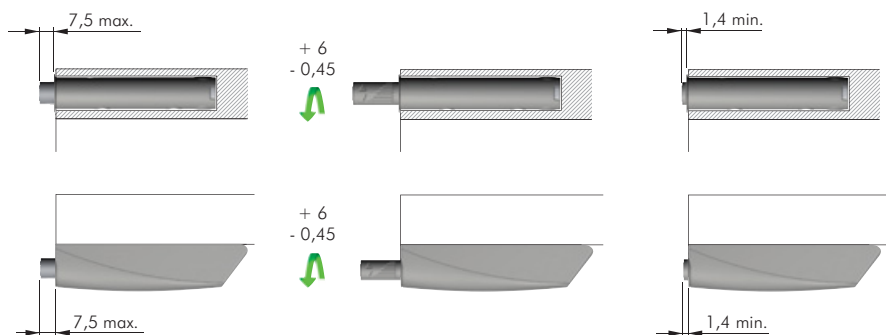
- Our technical department is at your disposal to test wider doors.

K PUSH TECH THE SHORT WITH MAGNET VISIBLE OR INVISIBLE VERSION AND K PUSH TECH PLATE FOR THE DOOR

- For details refer to section "PUSH CATCHES & MAGNETIC CATCHES".



K PUSH TECH ADJUSTMENTS





K12 SYSTEM 164 mm - DROP DOWN

BRACKETS Ø15:

K Push Tech the short with magnet visible or invisible

The dimensions of the drilling plan refer to carcasses which use flap hinges.

SCREW FIXING BRACKETS:

For pistons quantity to be specified according to door size, refer to the chart for "K12 SYSTEM 164 mm - DROP DOWN".



K12 SYSTEM 244 mm - DROP DOWN

BRACKETS Ø15:

K Push Tech the short with magnet visible or invisible

The dimensions of the drilling plan refer to carcasses which use flap hinges.

SCREW FIXING BRACKETS:

For pistons quantity to be specified according to door size, refer to the chart for "K12 SYSTEM 244 mm - DROP DOWN".



K12 SYSTEM 355 mm - DROP DOWN

BRACKETS Ø15:

K Push Tech the short with magnet visible or invisible

The dimensions of the drilling plan refer to carcasses which use flap hinges.

SCREW FIXING BRACKETS:

For pistons quantity to be specified according to door size, refer to the chart for "K12 SYSTEM 355 mm - DROP DOWN".