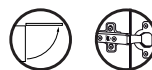


## K12 SYSTEM LIFT UP WITH STANDARD SPRUNG HINGES

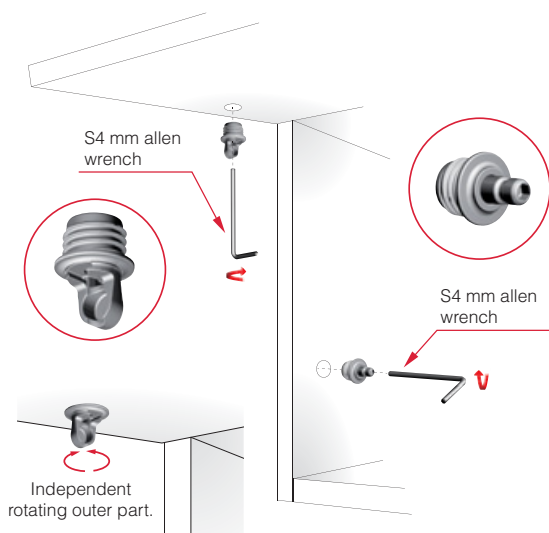


REGISTERED DESIGN  
UNI 8607/05 Level 5

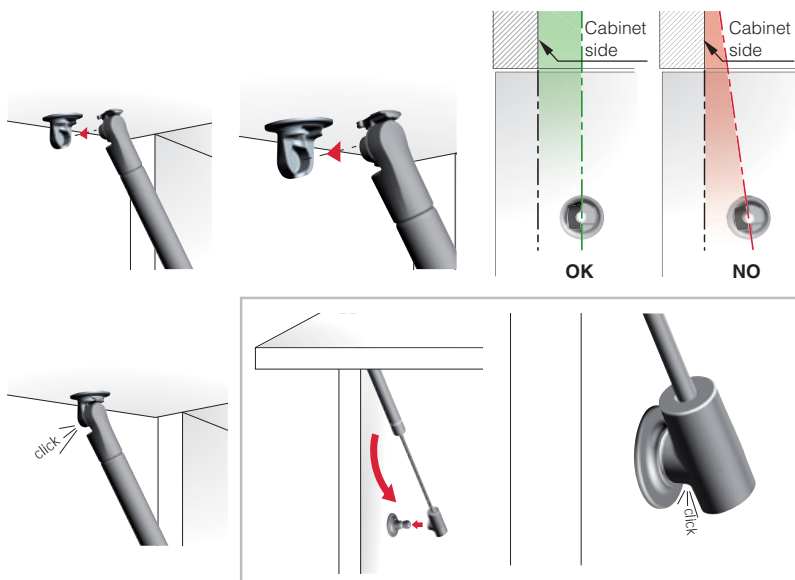


### BRACKET Ø15 INSTALLATION

- For details refer to "K12 SYSTEM BRACKETS".

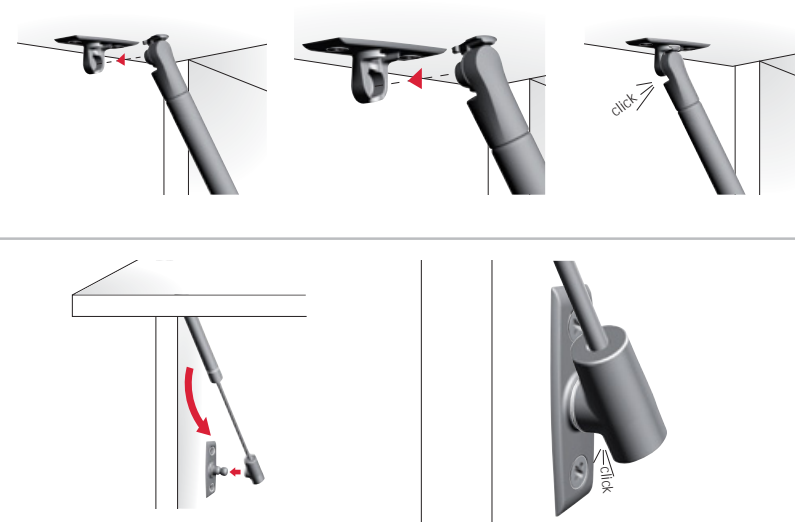
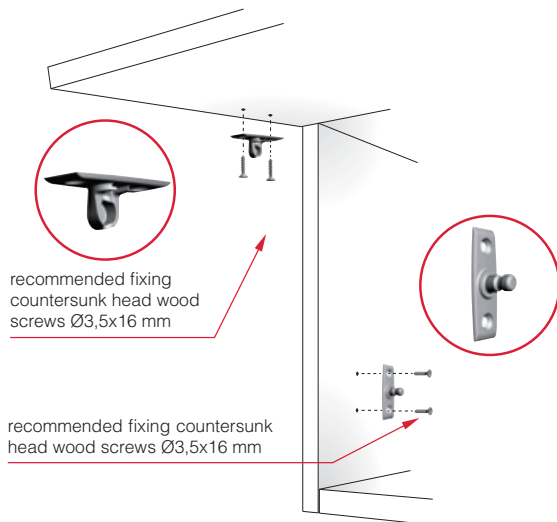


### VERY IMPORTANT

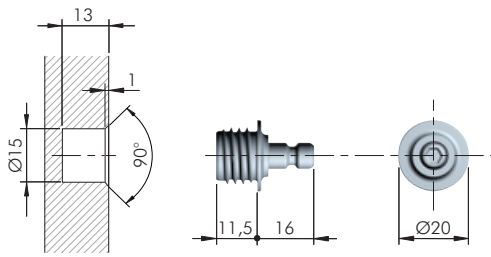


### SCREW FIXING BRACKETS INSTALLATION

- For details refer to "K12 SYSTEM BRACKETS".



## K12 SYSTEM BRACKETS



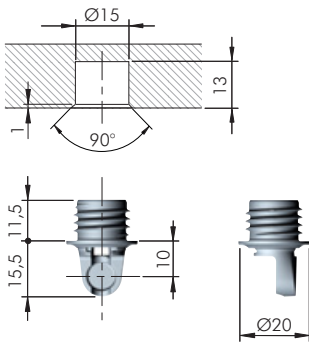
= Ø 15 mm

ZA

= 50 pcs.



48040120YA



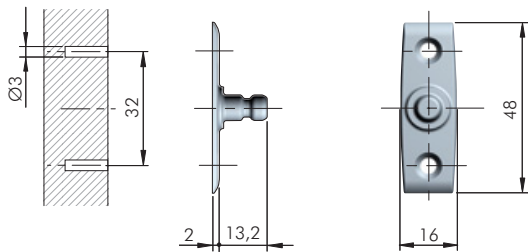
= Ø 15 mm

ZA

= 50 pcs.



48040160YA

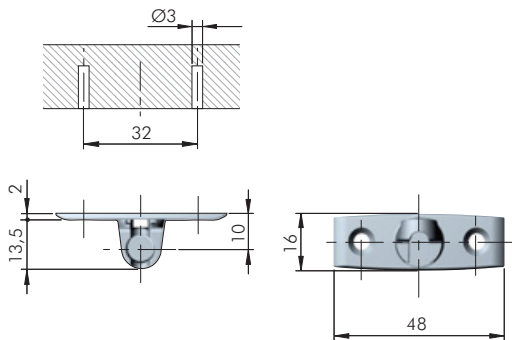


= Ø 3 mm

ZA



48080120YA



= Ø 3 mm

ZA



48080100YA