

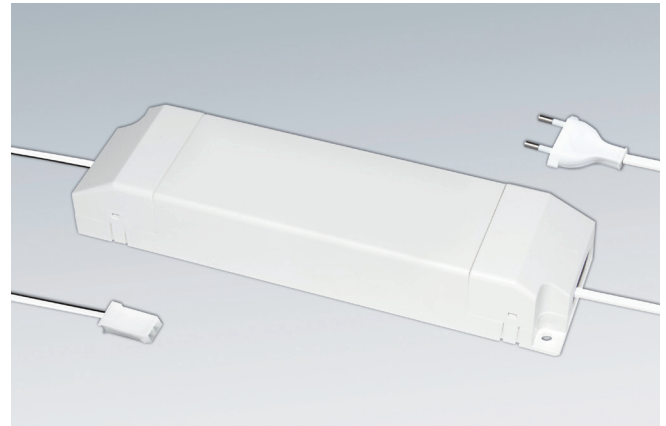
# DRIVER 70W

LED 24V - IN 220÷240V

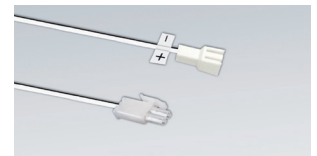
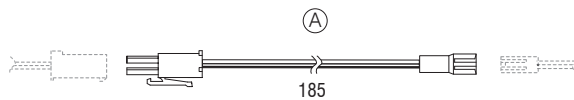
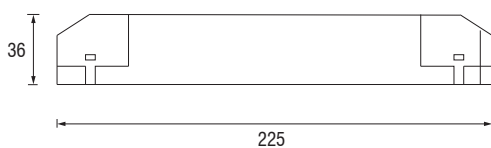
**IT** Driver per LED con cavo e spina - Tipo indipendente per uso interno, tensione di uscita costante 24V; protetto contro il corto circuito e il sovraccarico.

**EN** LED driver with cable and plug - Independent type for internal use, constant exit voltage 24V, protected against short circuit and overload.

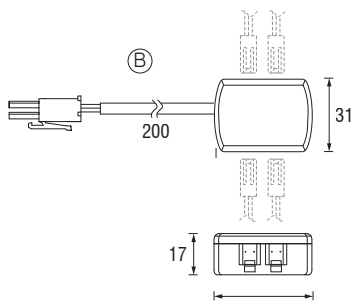
**DE** LED-Konverter mit Kabel und Stecker - Unabhängige Konverter mit staendiger Ausgangsspannung 24V, kurzschlussfest und ueberbelastungsgeschuetzt.



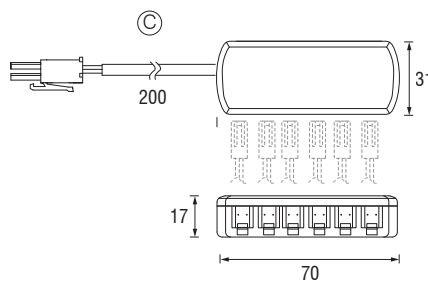
CE ENEC KEMA EMC W M SELV



(A) Cavo per connessione singola  
Single connection cable  
Einzelverbindungskabel



(B) Distributore a 4 uscite  
4-way distribution box  
4-fach Verteiler



(C) Distributore a 6 uscite  
6-way distribution box  
6-fach Verteiler

Alimentatore - Driver - LED-Konverter					Imballo - Packaging - Verpackung		
V IN	Hz	V OUT	W	Codice - Part no. - Artikel-Nr.	Pcs	Kg	mm
220V÷240V	50...60Hz	24V	70W	3T494201	1	0,382	40 x 80 x 240
Accessori - Accessories - Zubehör				Codice - Part no. - Artikel-Nr.	Pcs	Kg	
(A)	Prolunga / Extension / Verlängerungskabel			6LC10008	1	0,005	
(B)	4 uscite / 4 Way / 4-fach			1T3001	1	0,021	
(C)	6 uscite / 6 way / 6-fach			1T3002	1	0,028	

Dimensioni in millimetri (mm)  
Dimensions in Millimeters (mm) - Dimensionen in Millimetern (mm)

Compatibile con prodotti LED 24V  
Compatible with 24V LED products - Kompatibel mit 24V LED Produkten

