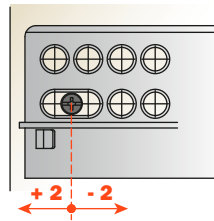
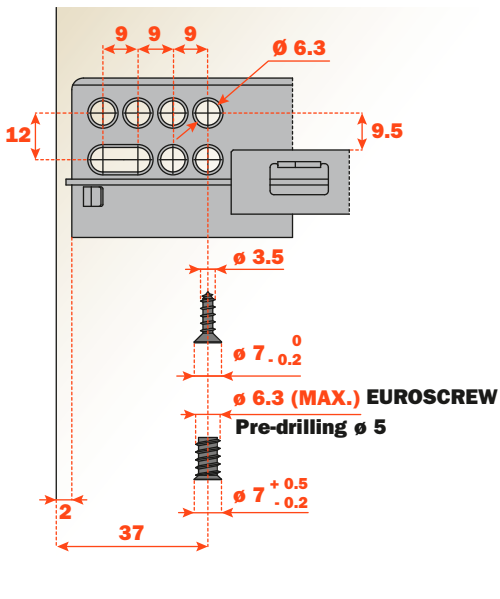


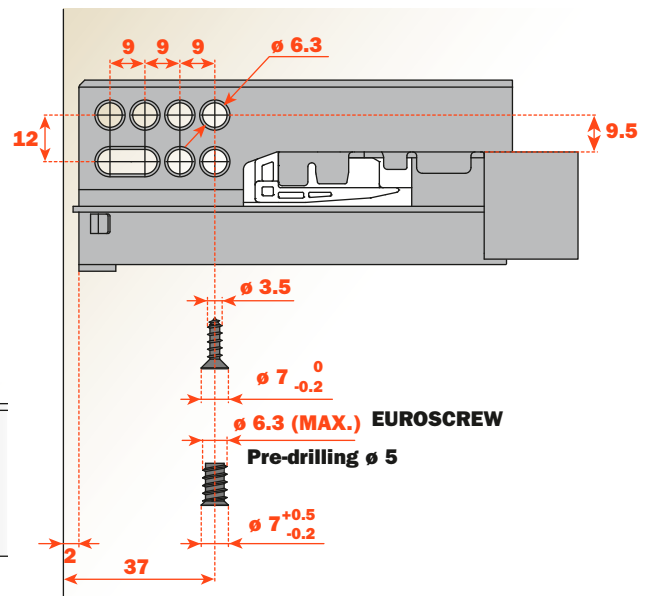
Futura



Fixing part-extension runner on cabinet side.

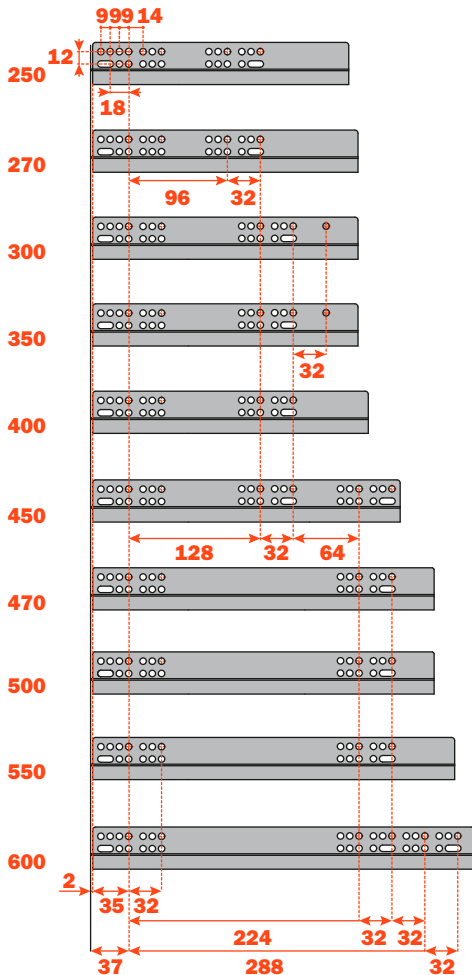


Fixing full-extension runner on cabinet side.

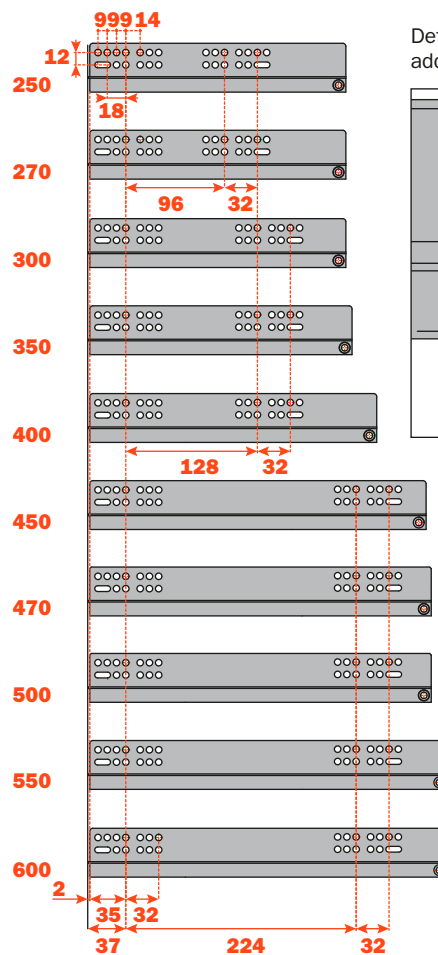


The oval slot allows the easy alignment of drawer frontals particularly in multi drawer and Push applications.

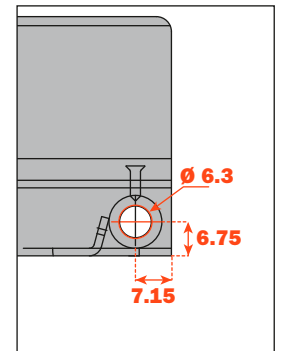
Drilling positions for runner on cabinet side. Part-extension



Drilling positions for runner on cabinet side. Full-extension



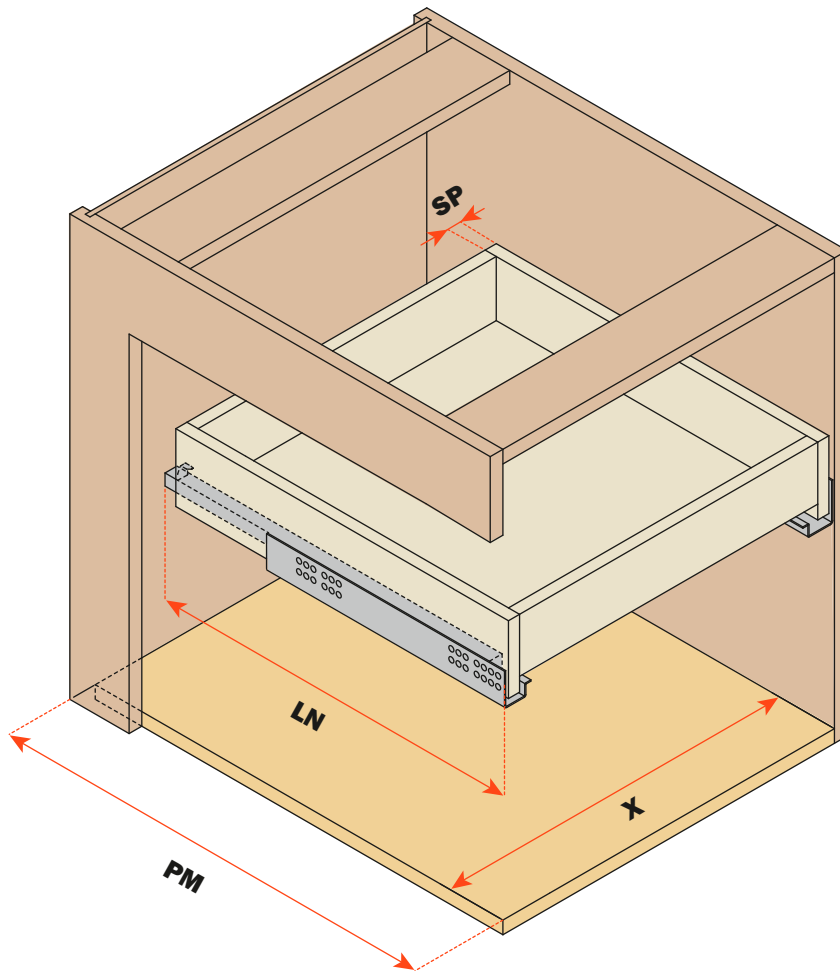
Detail of the rear additional fixing hole



Drawer setting: abbreviations

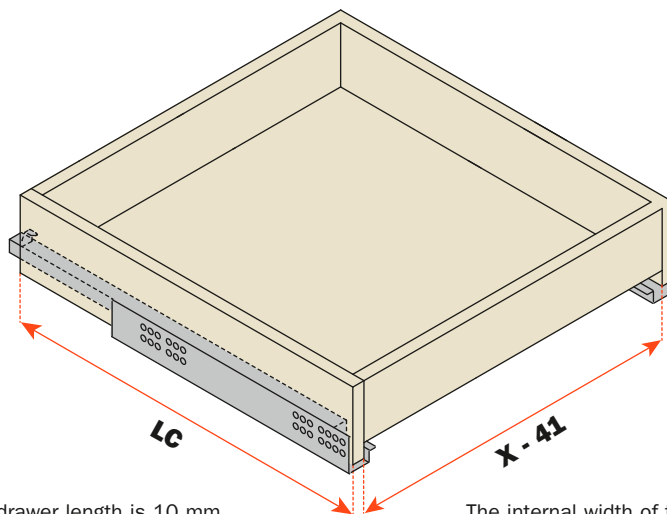
Chest of drawers

- SP** = Thickness of the drawer
- LN** = Nominal runner length
- PM** = Depth of the cabinet
- X** = Internal width of the cabinet



Drawer dimensions

- LC** = Runner length - 10 mm
- X - 41** = Internal width of the drawer

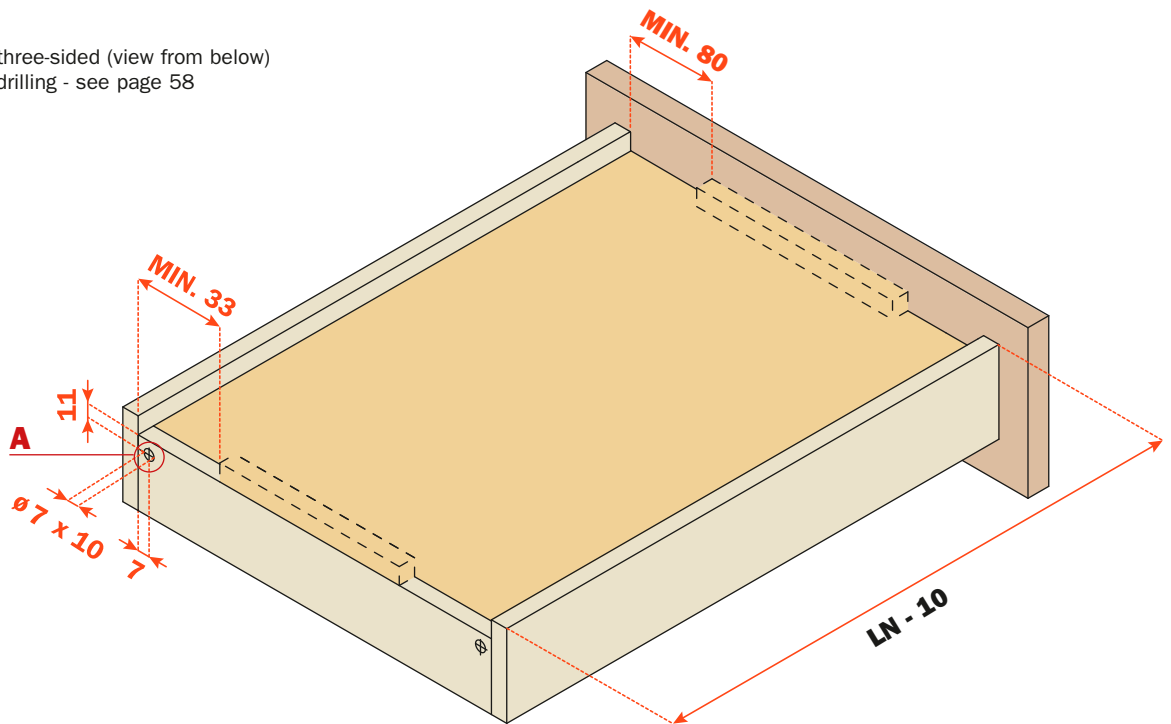


The drawer length is 10 mm shorter than the runner length

The internal width of the drawer is 41 mm less than the internal width of the cabinet

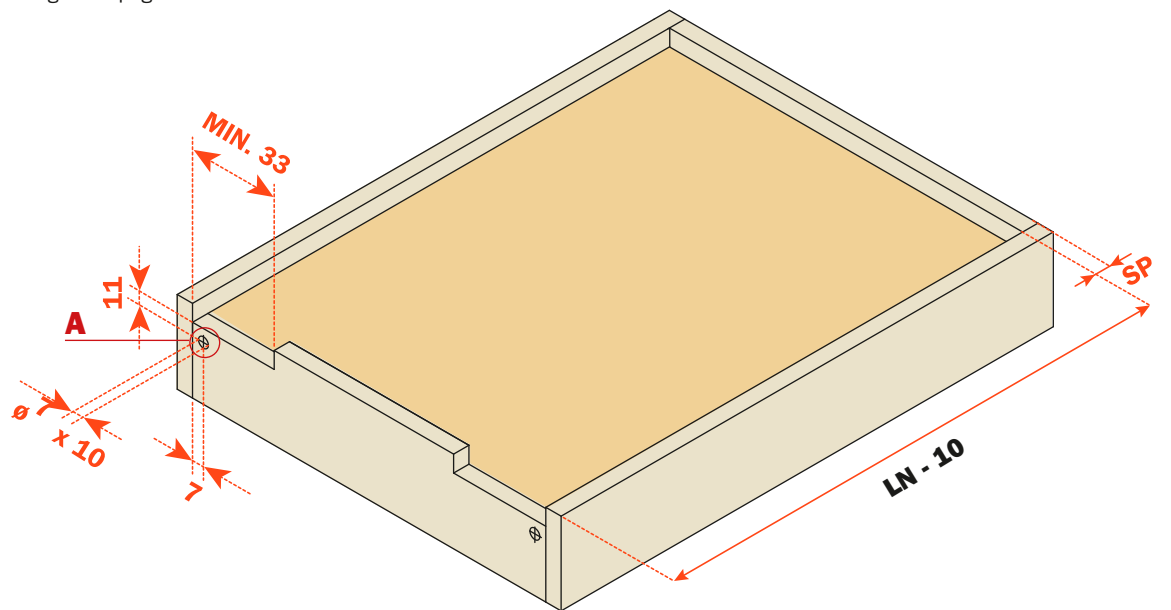
Drawer drilling

Drawer with frontal - three-sided (view from below)
Template for drawer drilling - see page 58

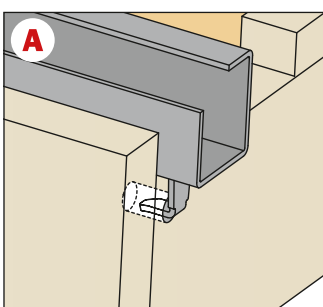


Drawer drilling

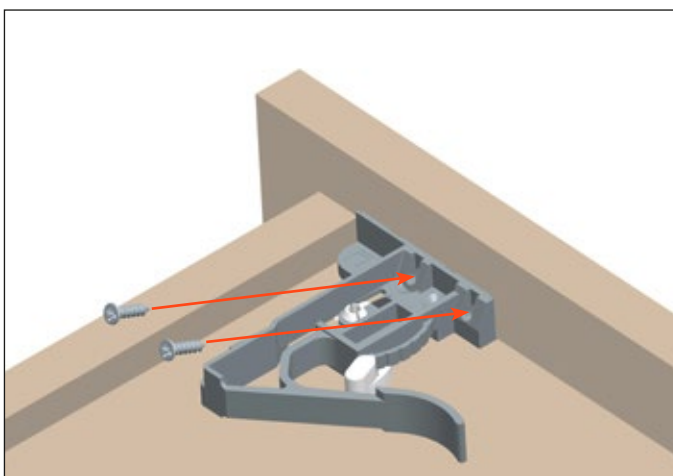
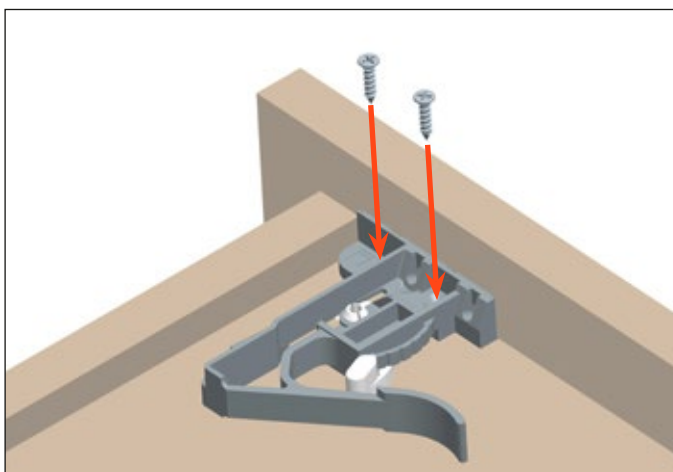
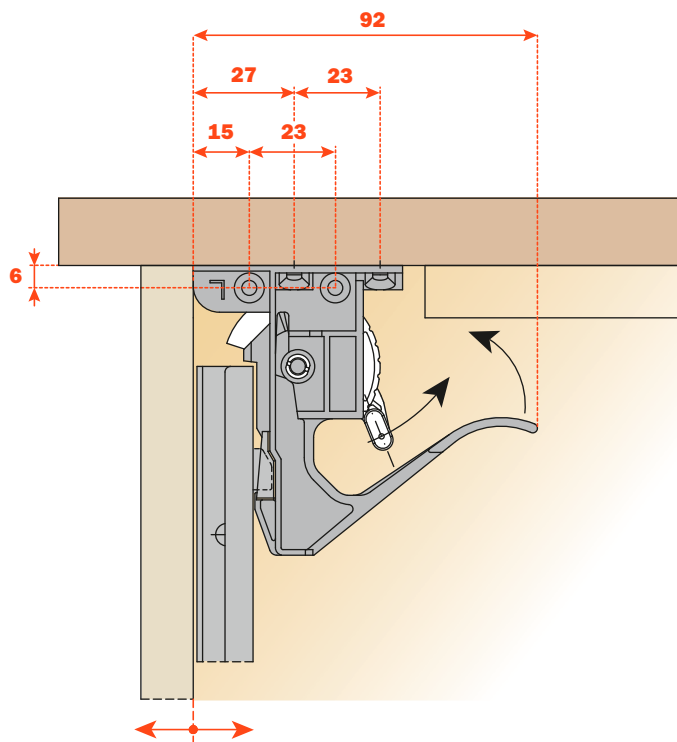
Internal drawer - four-sided (view from below)
Template for drawer drilling - see page 58



Rear hook

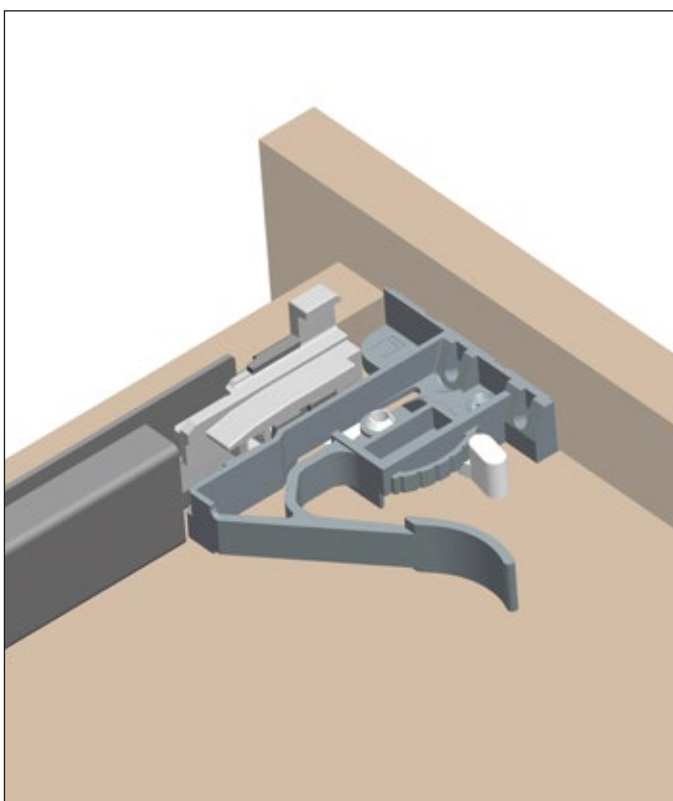
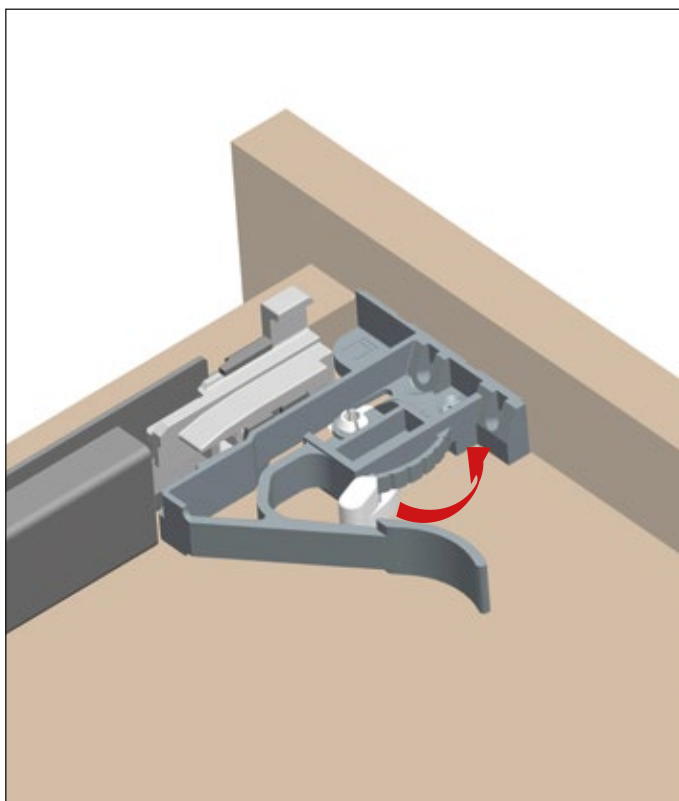


Fixing clip



Drawer adjustment

Drawer height adjustment (+ 2,5 mm) using the lever indicated
This operation is tool free



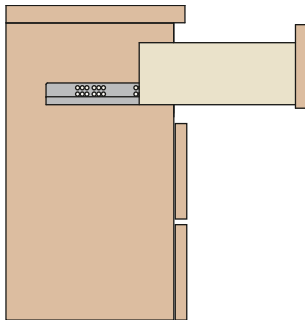
Futura Self-closing 615 - Concealed runner



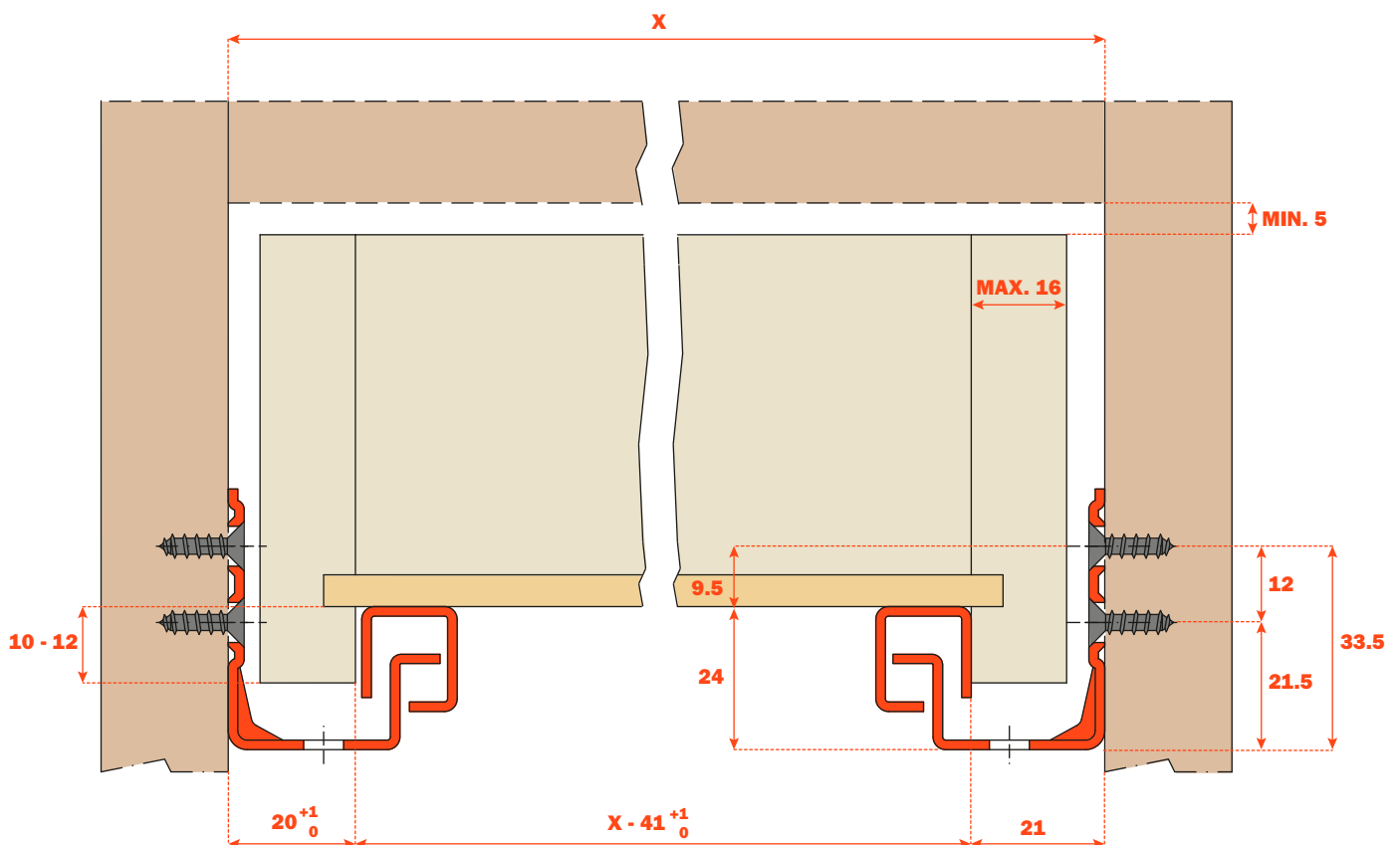
Part-extension runner fixed to the drawer by clip.

Product features

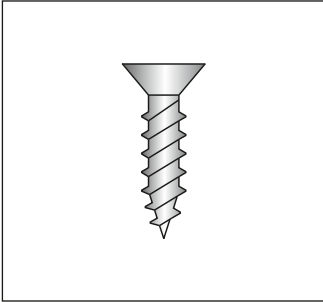
- Dynamic load capacity N 294 (Kg 30).
- Self-closing device on drawer.
- Safety system that prevents the drawers from turning over.
- Drawer height adjustment +2,5 mm.
- The drawer is maintained parallel with the cabinet side during opening.
- Compatible with ART. 655.
- Finish: bright zinc-plated.



Dimensions



Part number



To be screw fixed
Screw TSP \varnothing 3,5 mm

BASIC PART NUMBER	RUNNER LENGTH (LN)	=	MIN. DEPTH OF THE CABINET (PM)
1 0 615 00 250 2 0 0	250		250
1 0 615 00 270 2 0 0	270		270
1 0 615 00 300 2 0 0	300		300
1 0 615 00 350 2 0 0	350		350
1 0 615 00 400 2 0 0	400		400
1 0 615 00 450 2 0 0	450		450
1 0 615 00 470 2 0 0	470		470
1 0 615 00 500 2 0 0	500		500
1 0 615 00 550 2 0 0	550		550
1 0 615 00 600 2 0 0	600		600

Fixing the drawer onto the runners

Clip part number **1 0 710** 00 010 1 0 0

Detail of the clip with tool free integrated height adjustment.

