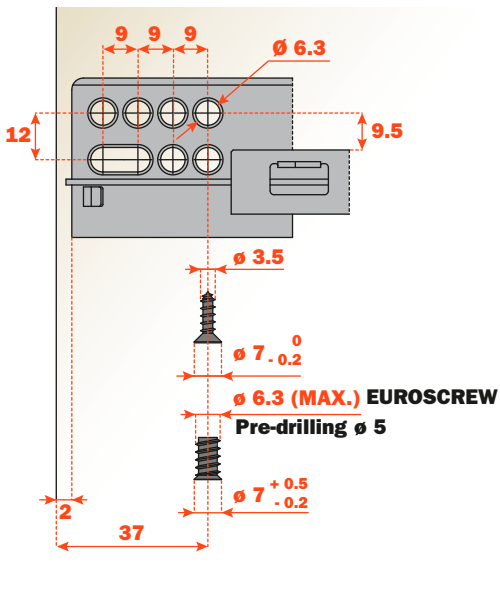


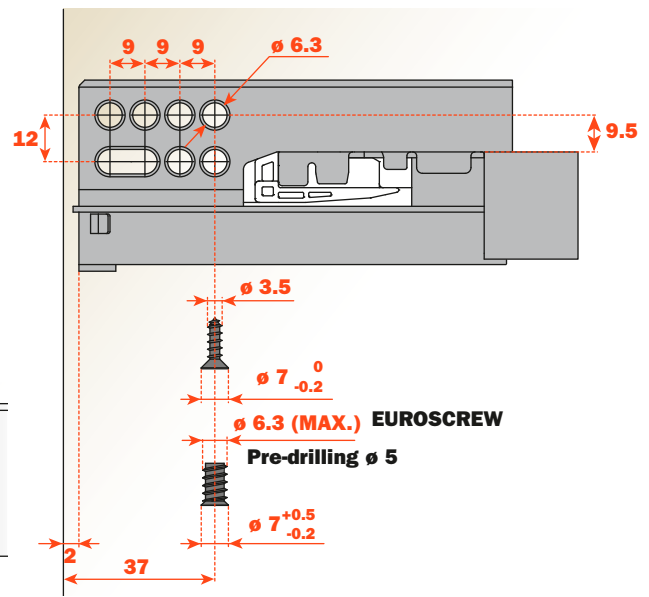
Futura



Fixing part-extension runner on cabinet side.

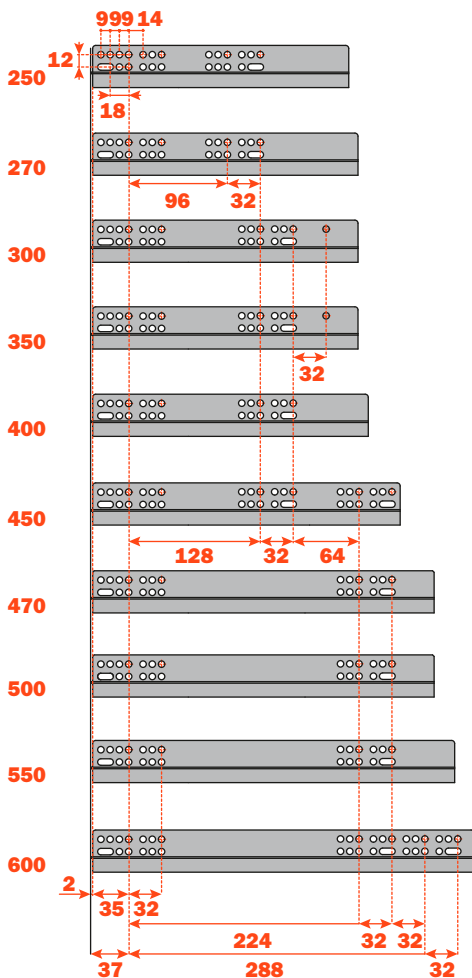


Fixing full-extension runner on cabinet side.

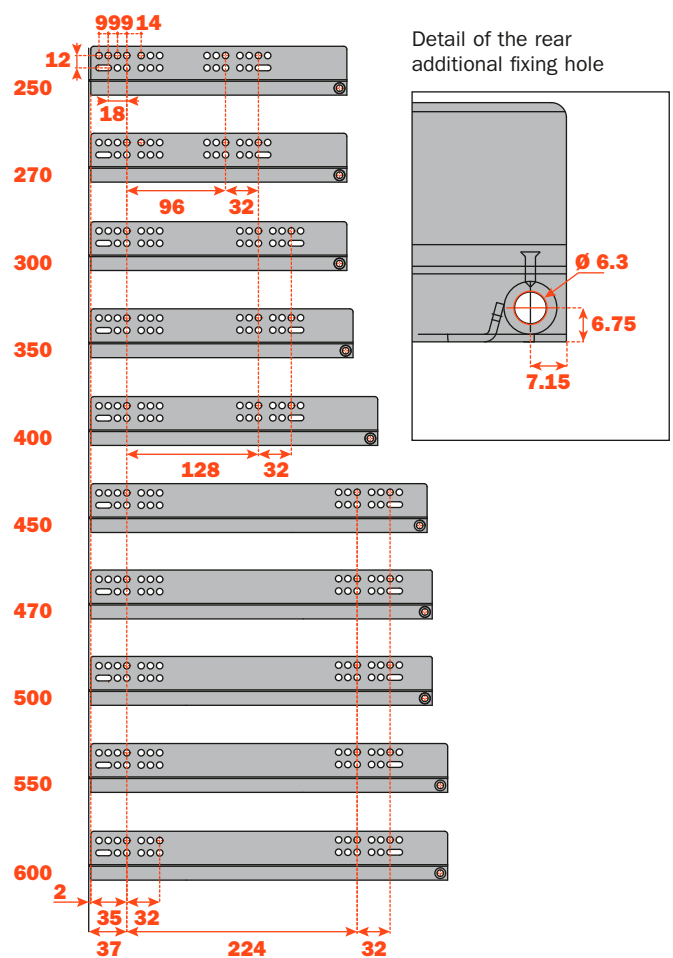


The oval slot allows the easy alignment of drawer frontals particularly in multi drawer and Push applications.

Drilling positions for runner on cabinet side. Part-extension



Drilling positions for runner on cabinet side. Full-extension



Drawer setting: abbreviations

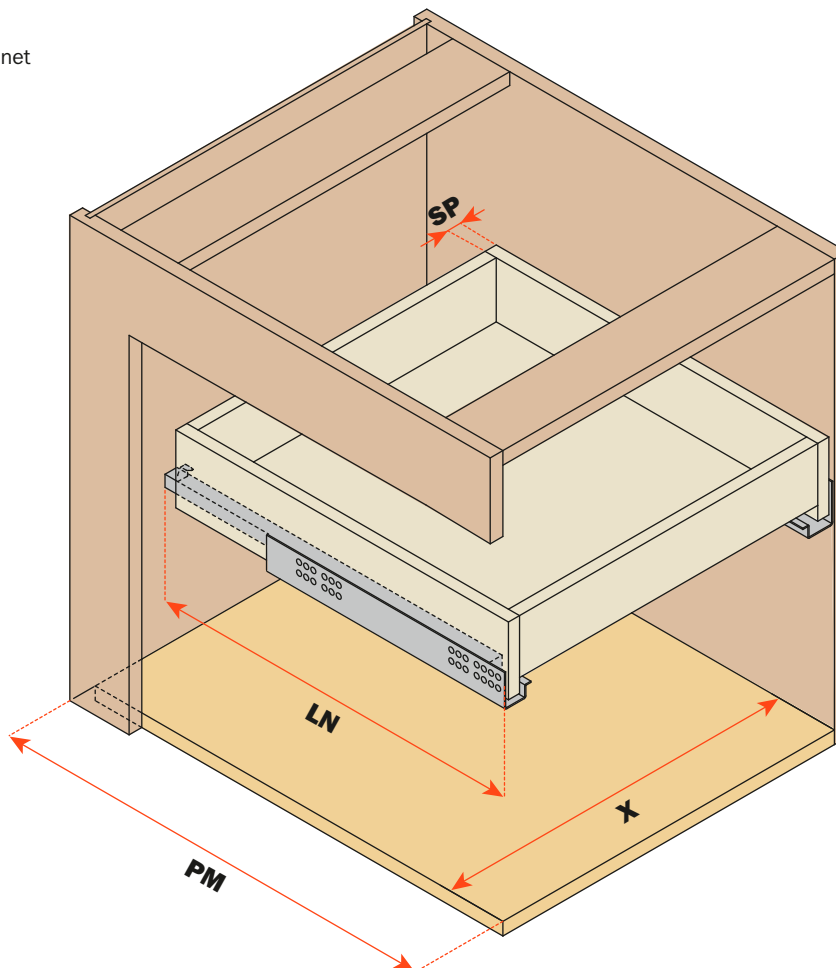
Chest of drawers

SP = Thickness of the drawer

LN = Nominal runner length

PM = Depth of the cabinet

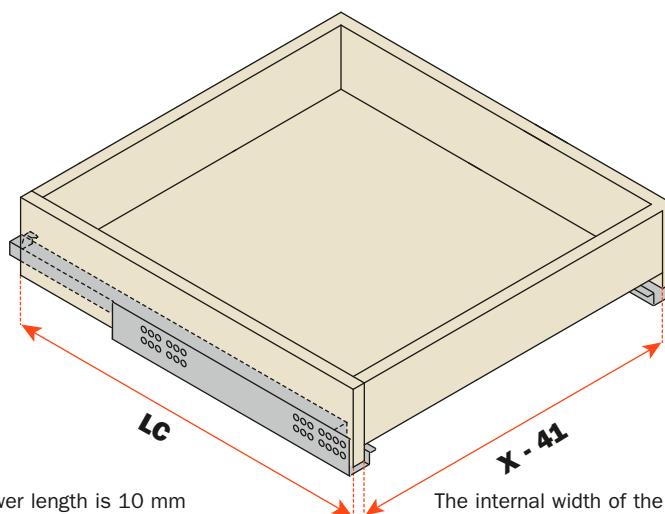
X = Internal width of the cabinet



Drawer dimensions

LC = Runner length - 10 mm

X - 41 = Internal width of the drawer



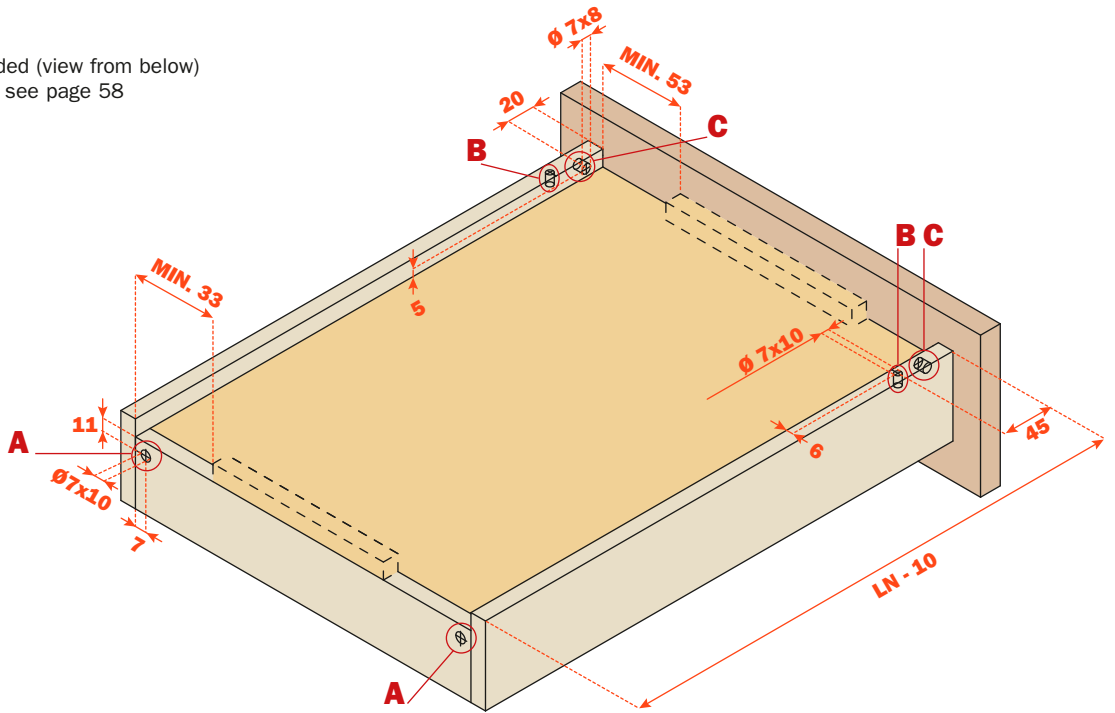
The drawer length is 10 mm shorter than the runner length

The internal width of the drawer is 41 mm less than the internal width of the cabinet

Drawer drilling

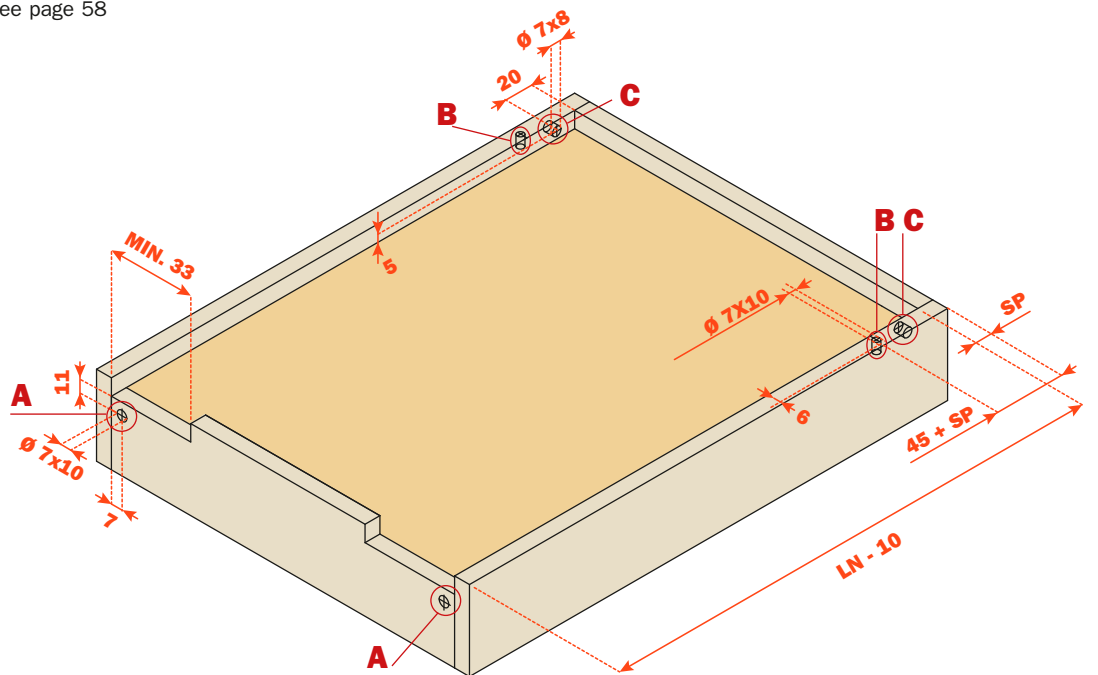
Drawer drilling

Drawer with frontal - three-sided (view from below)
 Template for drawer drilling - see page 58



Drawer drilling

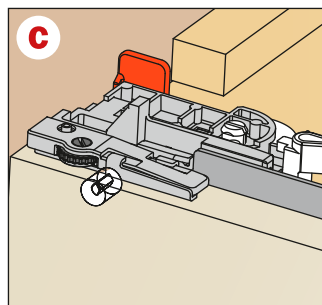
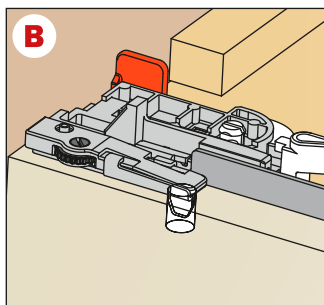
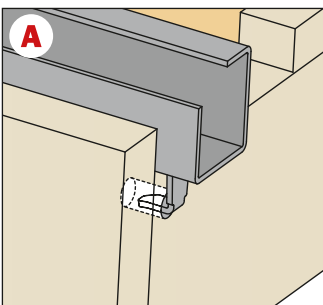
Internal drawer - four-sided (view from below)
 Template for drawer drilling - see page 58



Rear hook

drawer locating pin

security pin

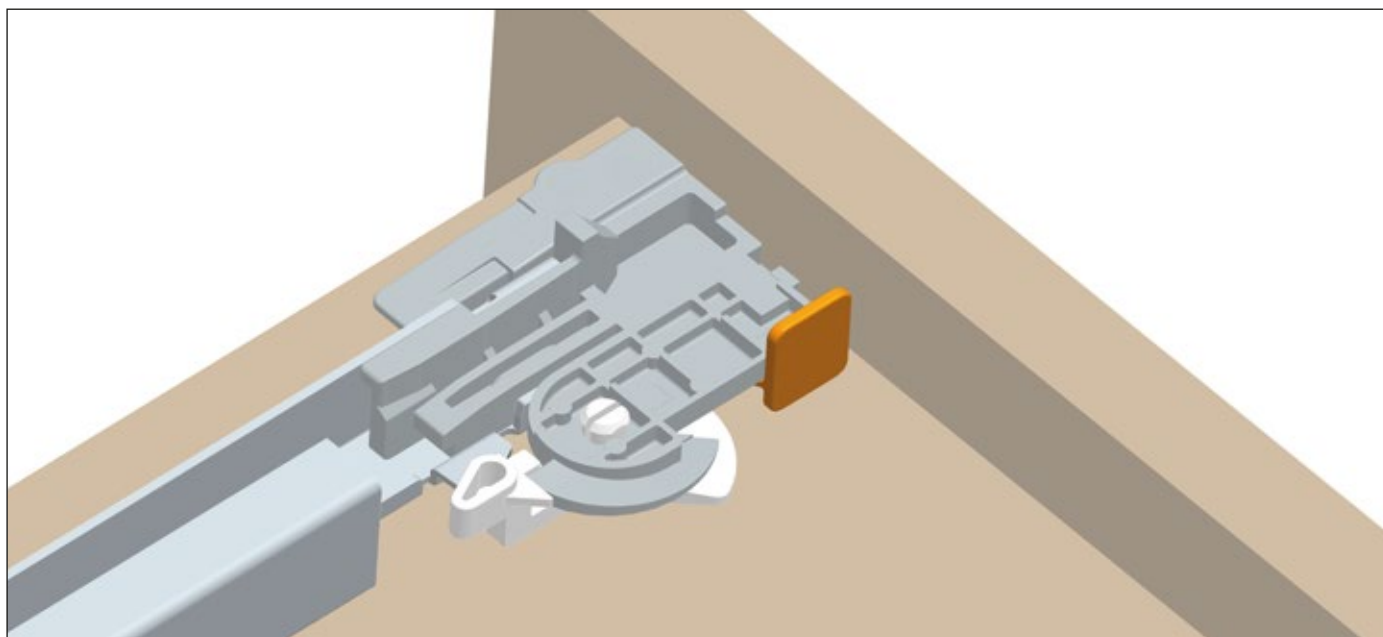
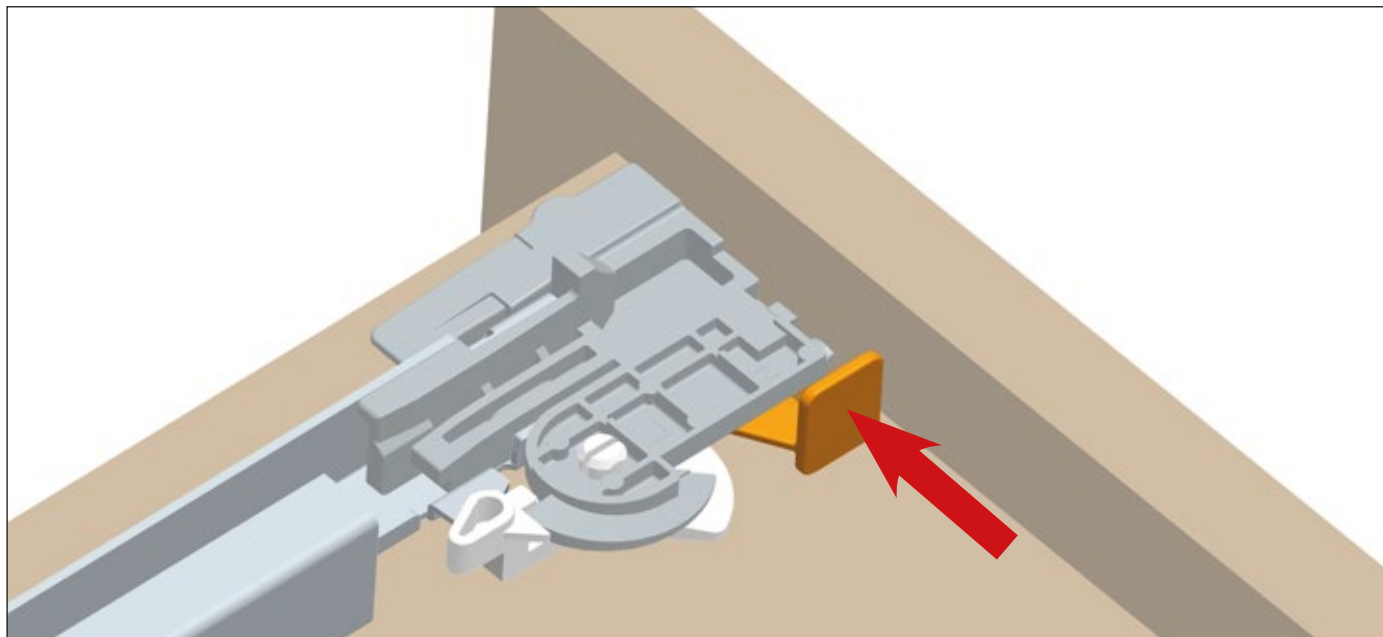


Fixing of the drawer security pin

Available on all runner versions.

This operation is tool free.

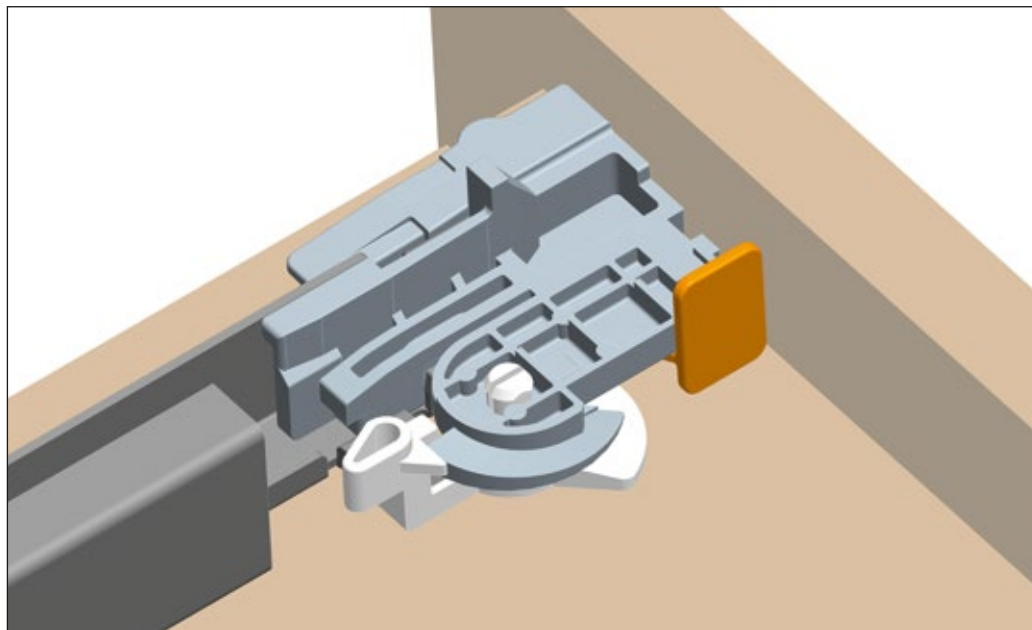
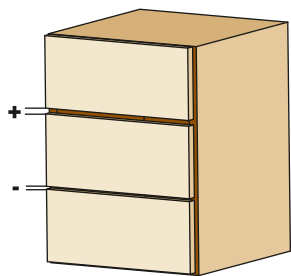
The device locks the drawer onto the runners.



Height adjustment + 3 mm

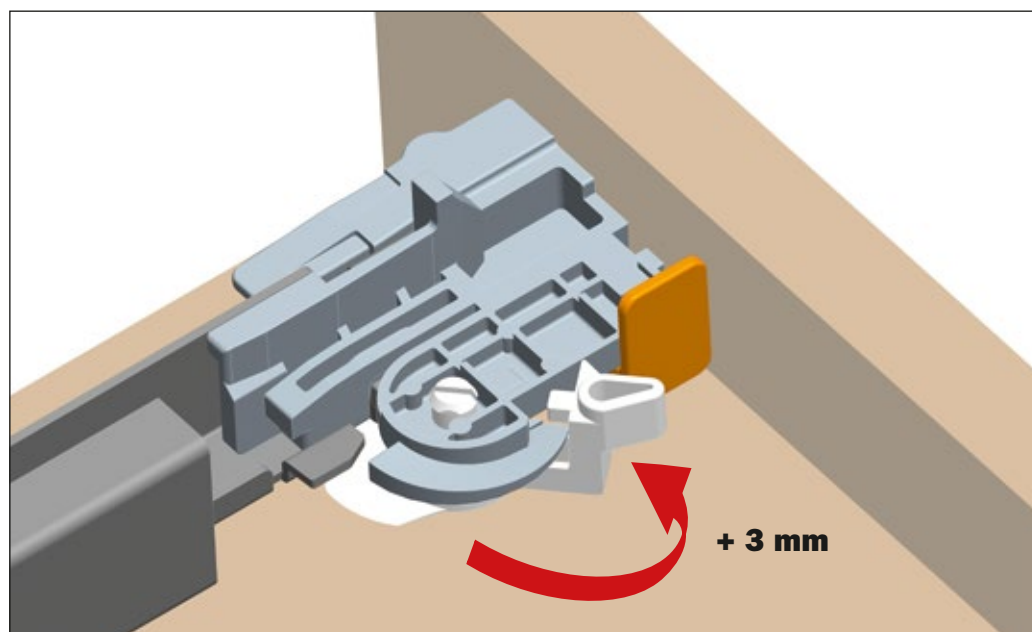
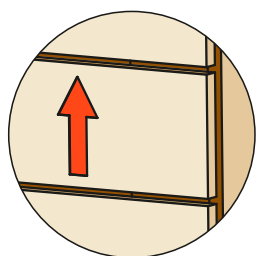
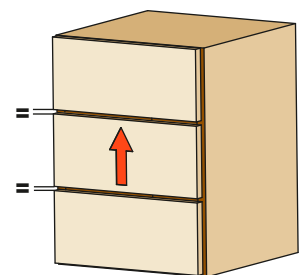
Available on all runner versions.
This operation is tool free.

Initial position of the lever for the height adjustment.



Turn the lever towards the front of the drawer to achieve the height adjustment.

This operation is tool free.

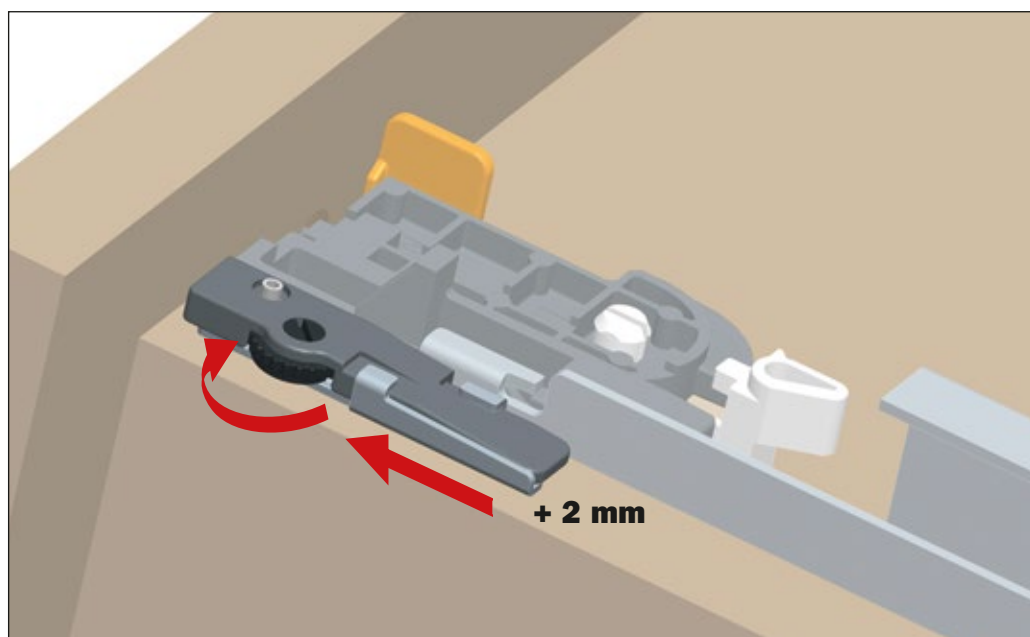
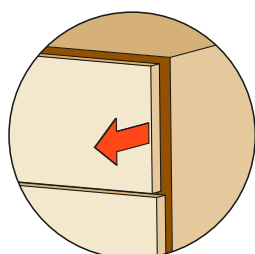
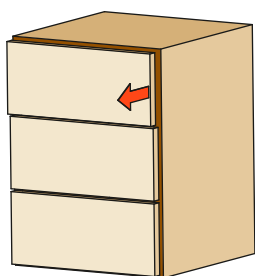


Depth adjustment + 2 mm - 2 mm

Available on all Push runners.

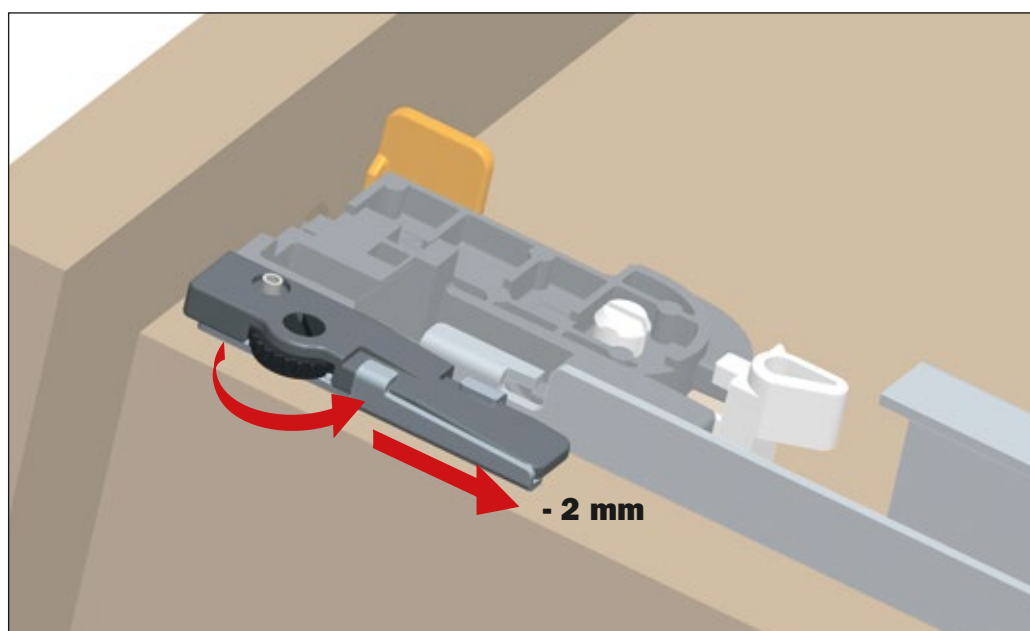
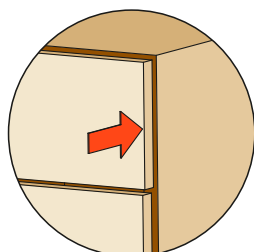
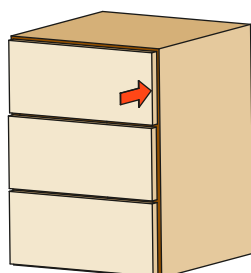
Rotate the black wheel towards the front of the drawer to increase the gap between the front and the side.

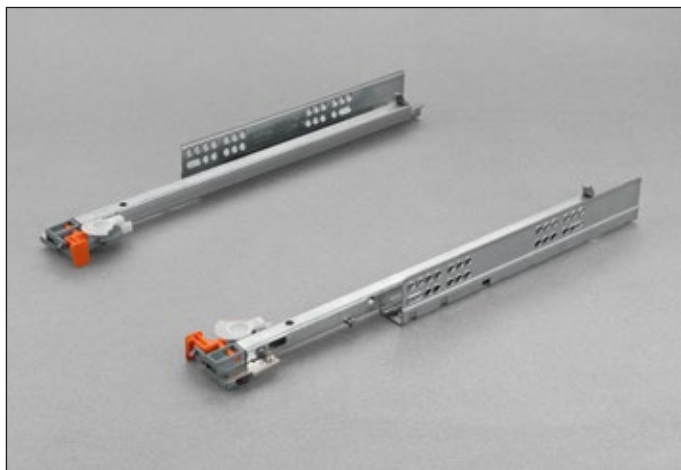
This operation is tool free.



Rotate the black wheel towards the back of the drawer to reduce the gap between the front and the side.

This operation is tool free.





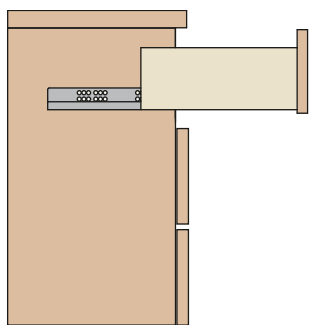
Part-extension runner fixed to the drawer by pin-fix clip.

Push: the new opening system for handle-less drawers, is fully integrated in the runner.

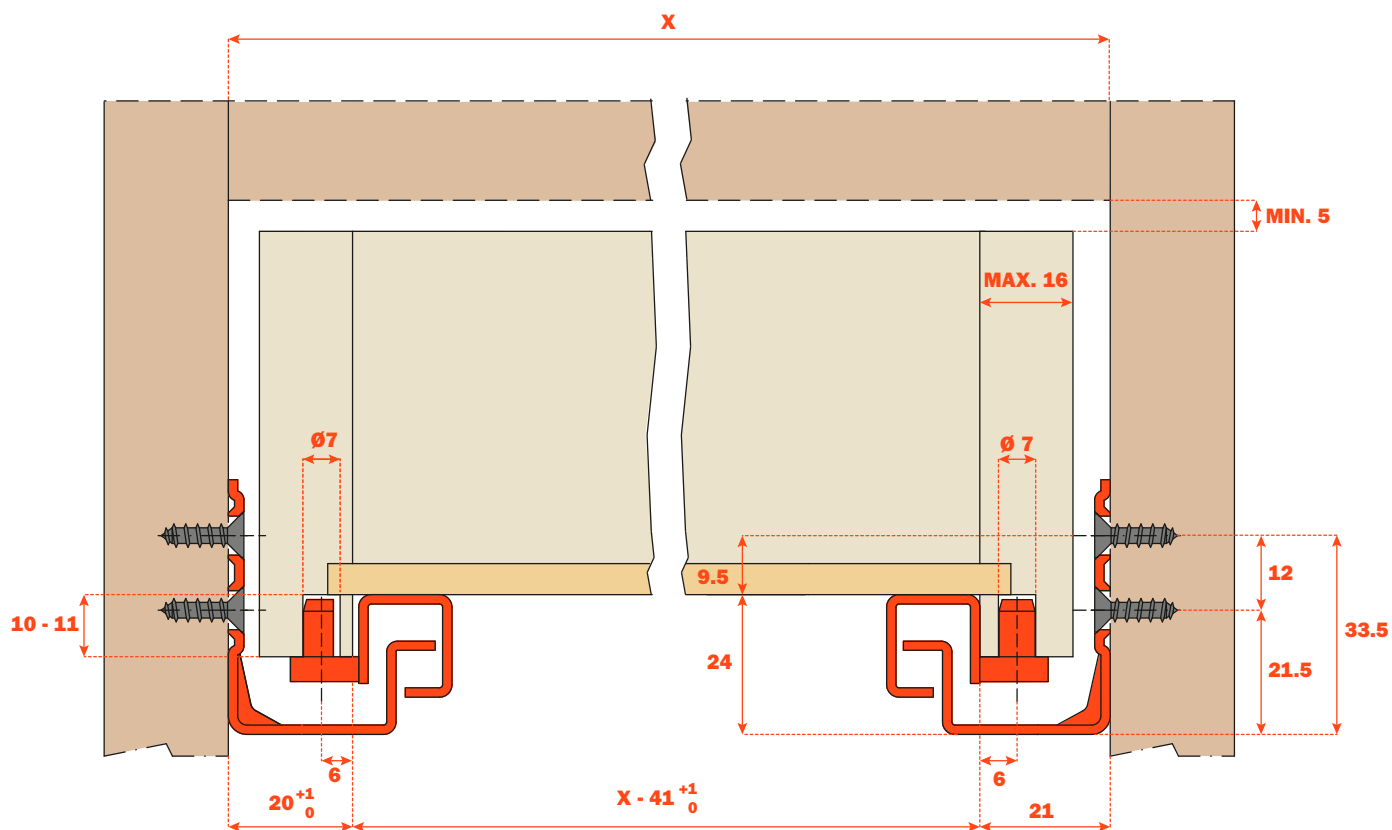
A slight pressure of the drawer frontal is sufficient for the drawer to self-open.

Product features

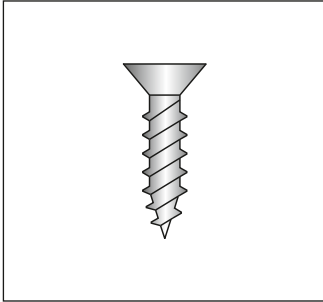
- Dynamic load capacity N 294 (Kg 30).
- Push opening system.
- Safety system that prevents the drawers from turning over.
- Drawer height adjustment +3 mm.
- Drawer depth adjustment ± 2 mm.
- The drawer is maintained parallel with the cabinet side during opening.
- Drawer fixing without screws.
- The drawer is held in the closed.
- Compatible with ART. 6527.
- Finish: bright zinc-plated.



Dimensions



Part number

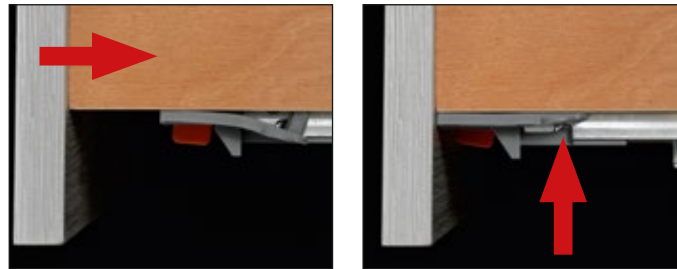


To be screw fixed
Screw TSP \varnothing 3,5 mm

BASIC PART NUMBER	RUNNER LENGTH (LN)	=	MIN. DEPTH OF THE CABINET (PM)
1 0 612 70 250 2 0 0	250		250
1 0 612 70 270 2 0 0	270		270
1 0 612 70 300 2 0 0	300		300
1 0 612 70 350 2 0 0	350		350
1 0 612 70 400 2 0 0	400		400
1 0 612 70 450 2 0 0	450		450
1 0 612 70 470 2 0 0	470		470
1 0 612 70 500 2 0 0	500		500
1 0 612 70 550 2 0 0	550		550
1 0 612 70 600 2 0 0	600		600

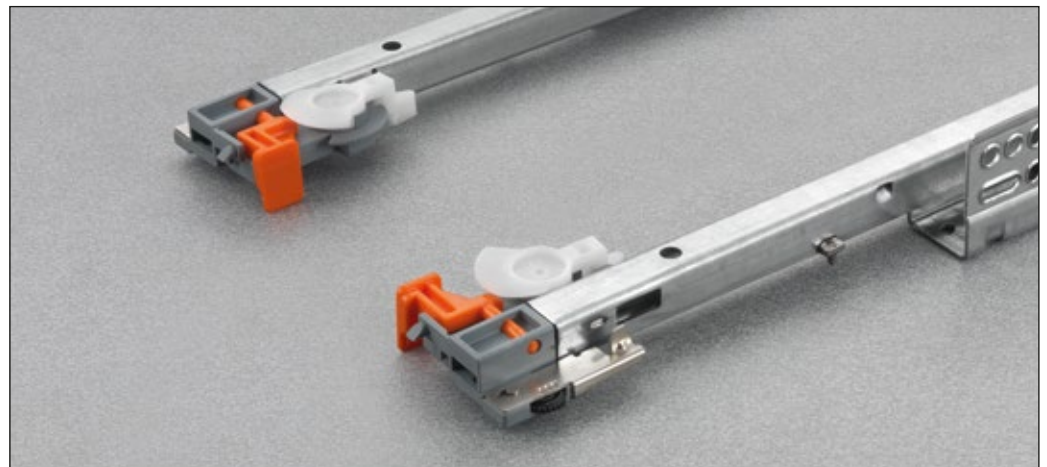
Fixing the drawer onto the runners

The flexibility of the system enables the locating pin to be engaged simply by placing the drawer onto the runners and closing it.



Detail of the pin-fix clip premounted on the runner, with:

- Tool free height and depth adjustment;
- Safety device to prevent the drawers from turning over;
- Locating pin.



Detail of the Push system integrated into the runner which allows the opening of handle-less drawers.

