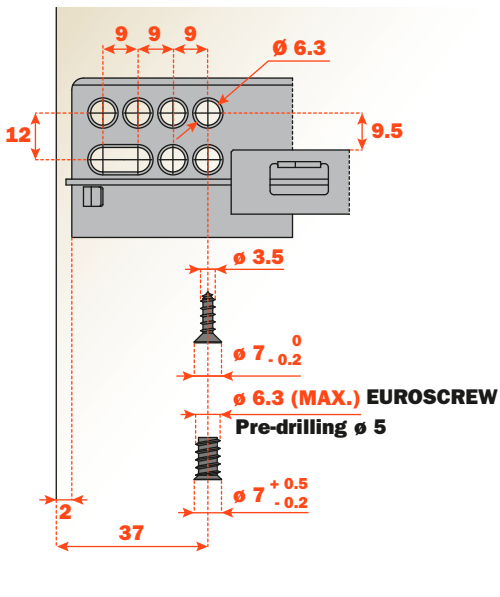


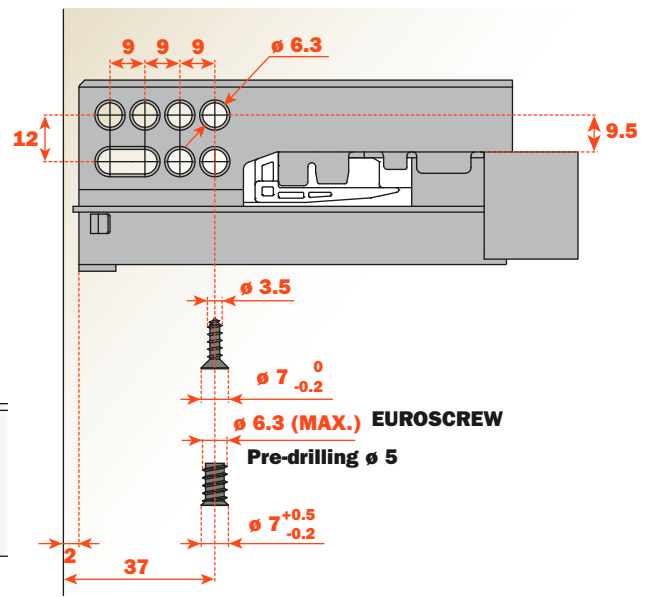
# Futura



## Fixing part-extension runner on cabinet side.

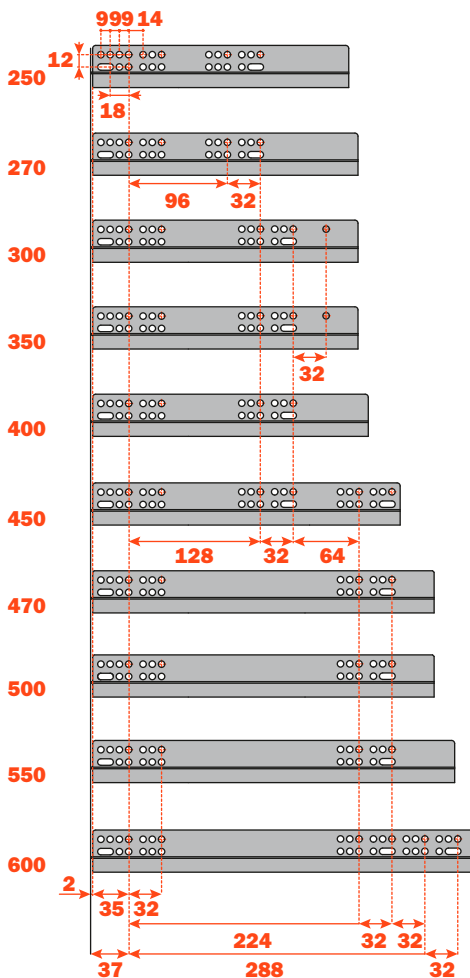


## Fixing full-extension runner on cabinet side.

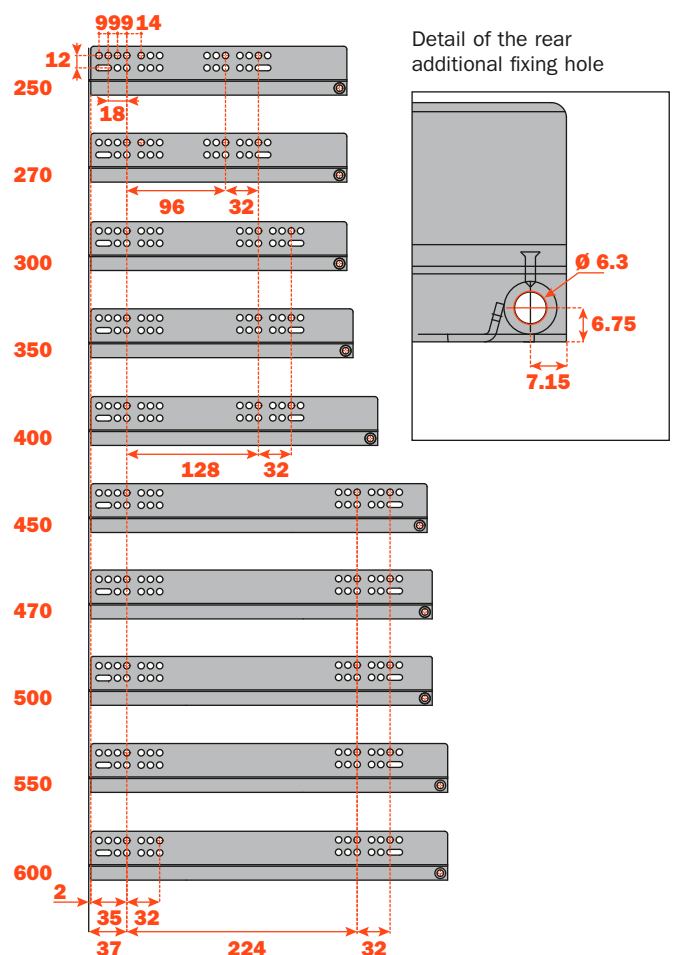


The oval slot allows the easy alignment of drawer frontals particularly in multi drawer and Push applications.

### Drilling positions for runner on cabinet side. Part-extension



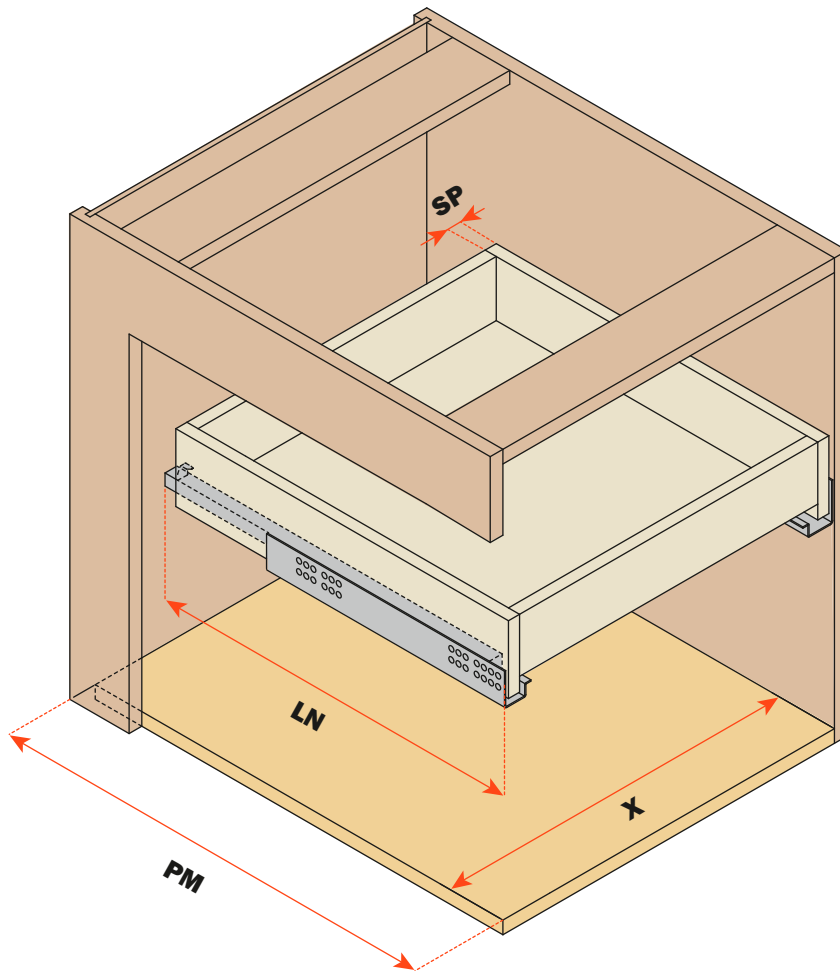
### Drilling positions for runner on cabinet side. Full-extension



**Drawer setting: abbreviations**

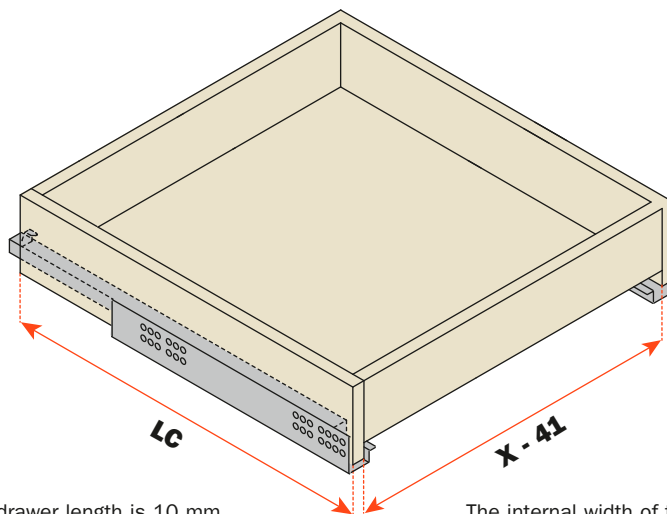
**Chest of drawers**

- SP** = Thickness of the drawer
- LN** = Nominal runner length
- PM** = Depth of the cabinet
- X** = Internal width of the cabinet



**Drawer dimensions**

- LC** = Runner length - 10 mm
- X - 41** = Internal width of the drawer

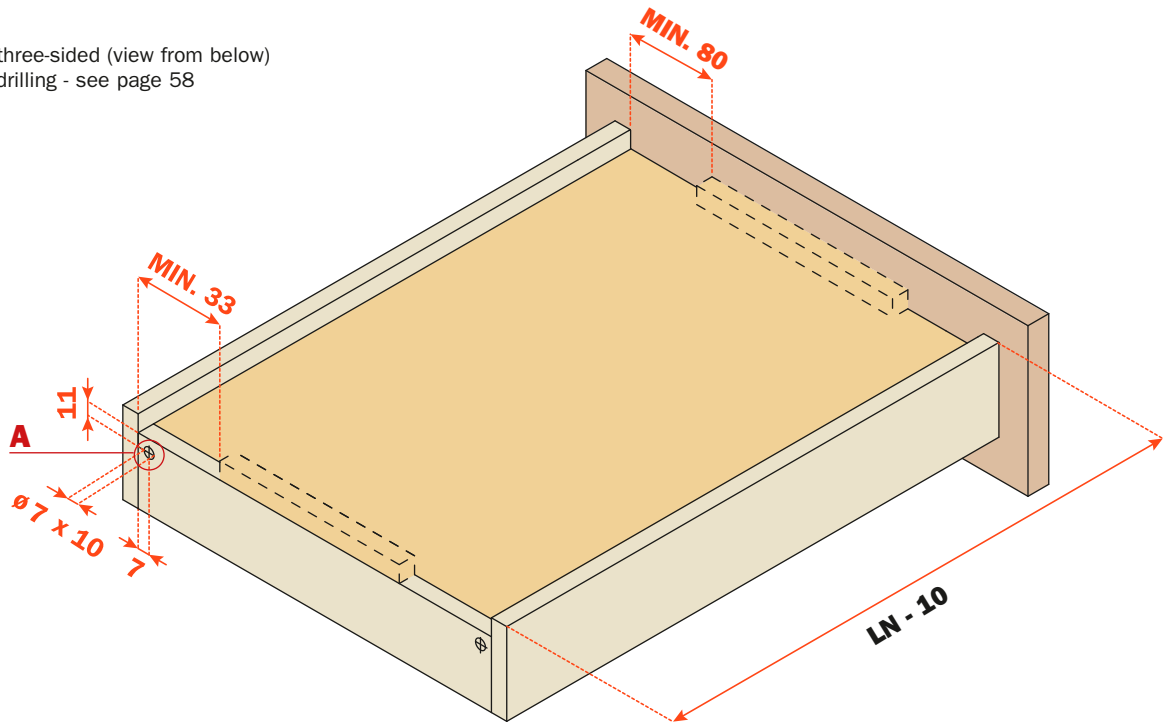


The drawer length is 10 mm shorter than the runner length

The internal width of the drawer is 41 mm less than the internal width of the cabinet

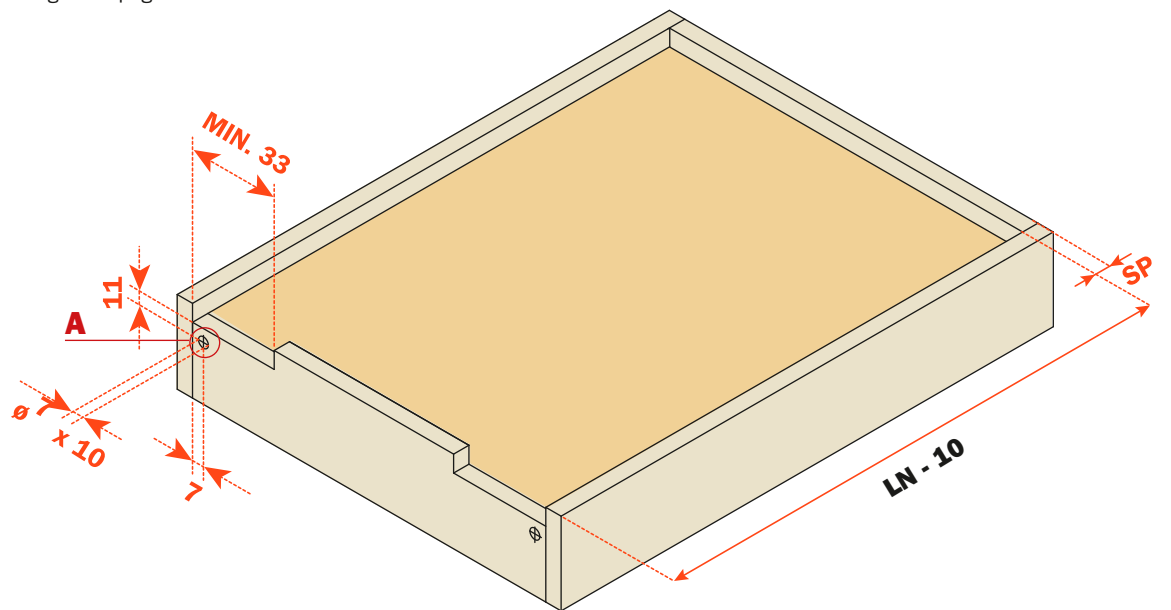
## Drawer drilling

Drawer with frontal - three-sided (view from below)  
Template for drawer drilling - see page 58

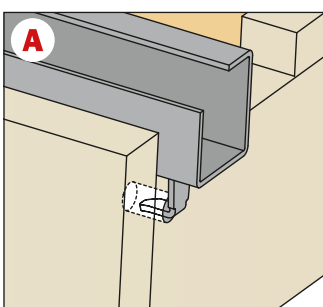


## Drawer drilling

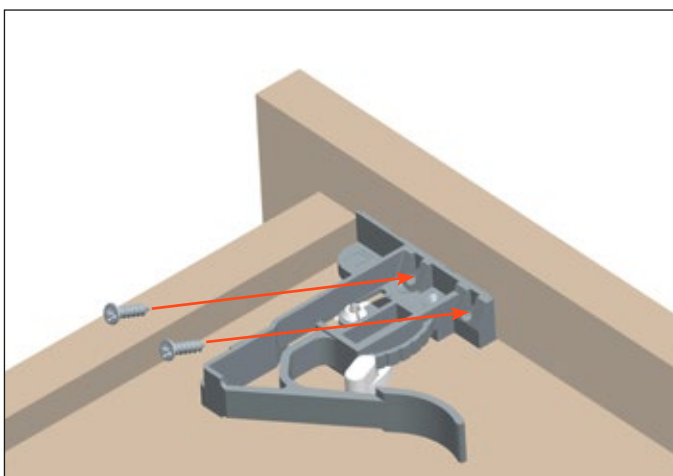
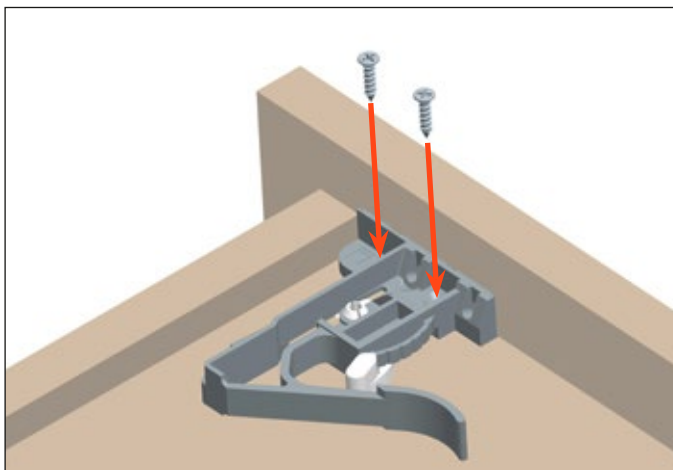
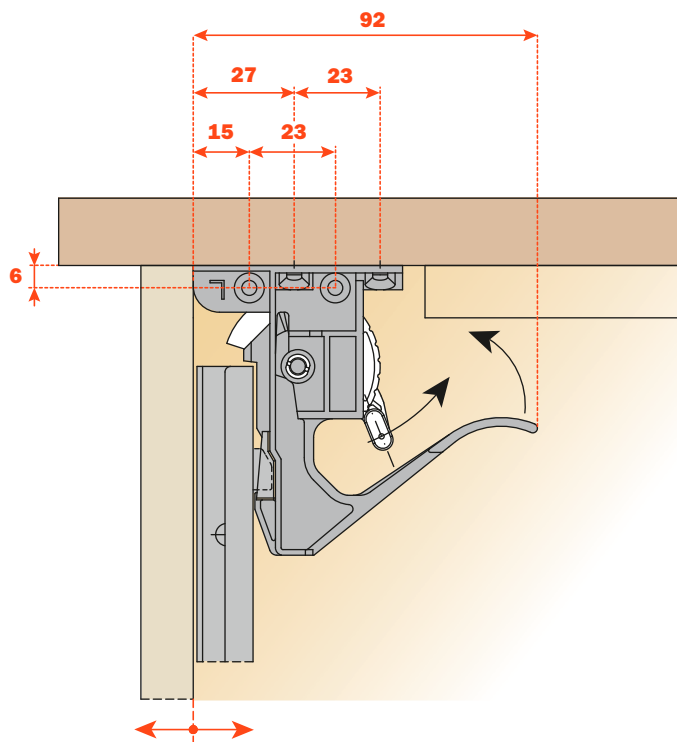
Internal drawer - four-sided (view from below)  
Template for drawer drilling - see page 58



Rear hook

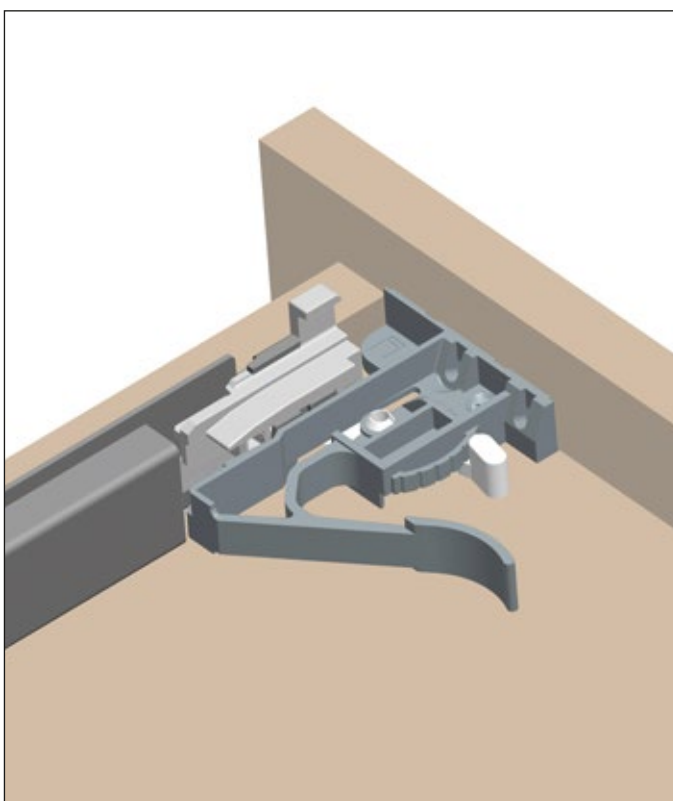
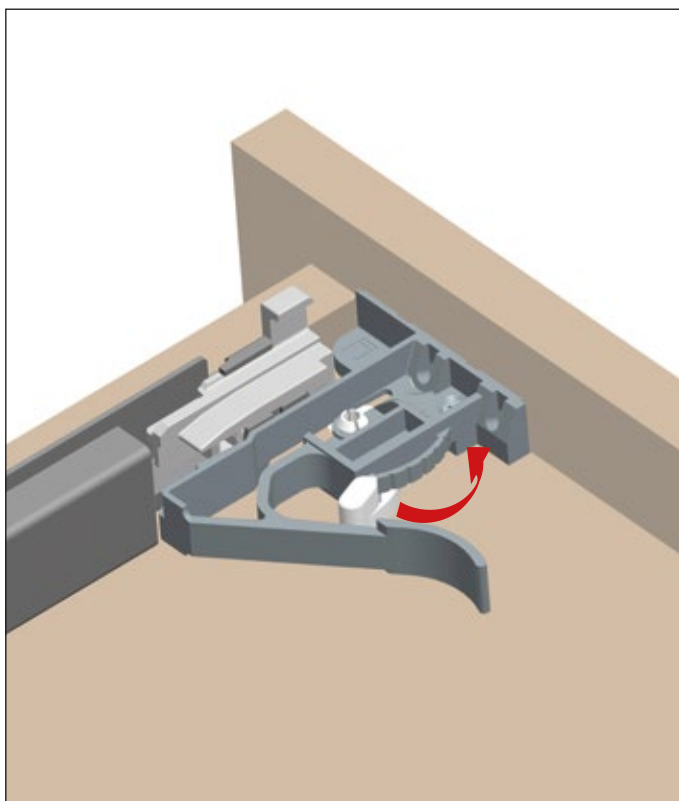


**Fixing clip**



**Drawer adjustment**

Drawer height adjustment (+ 2,5 mm) using the lever indicated  
This operation is tool free



## Futura Push 6157 - Concealed runner



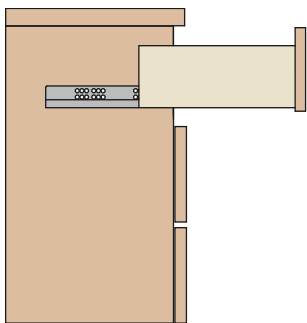
**Part-extension runner fixed to the drawer by clip.**

**Push:** the new opening system for handle-less drawers, is fully integrated in the runner.

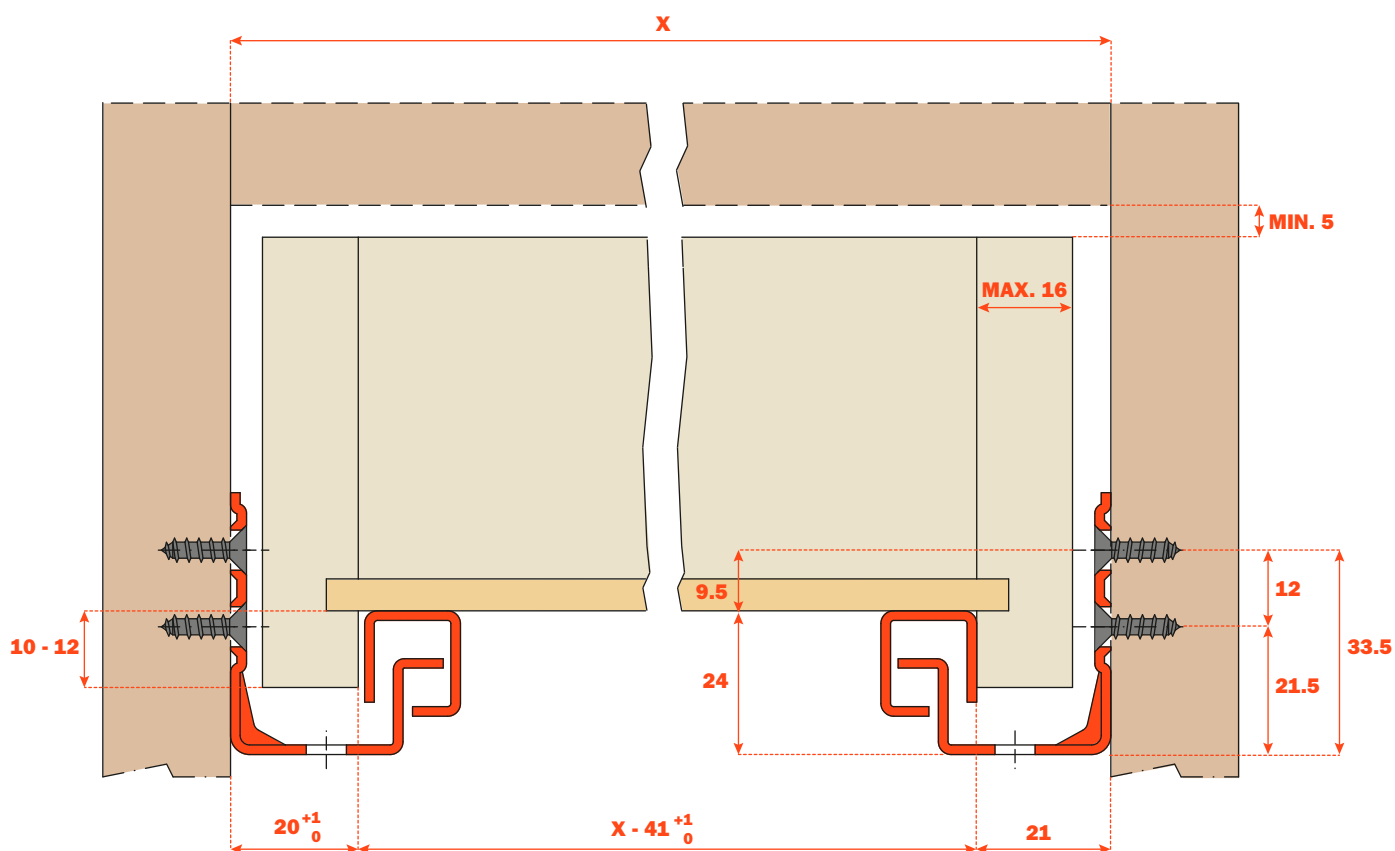
**A slight pressure of the drawer frontal is sufficient for the drawer to self-open.**

### Product features

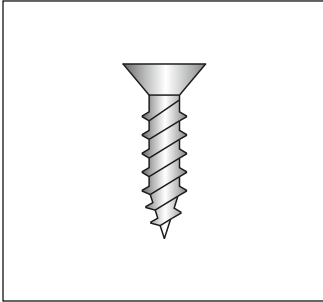
- Dynamic load capacity N 294 (Kg 30).
- With Push opening system.
- Safety system that prevents the drawers from turning over.
- Drawer height adjustment +2,5 mm.
- The drawer is maintained parallel with the cabinet side during opening.
- The drawer is held in the closed position.
- Compatible with ART. 6557.
- Finish: bright zinc-plated.



### Dimensions



## Part number



To be screw fixed  
Screw TSP  $\varnothing$  3,5 mm

BASIC PART NUMBER	RUNNER LENGTH (LN)	=	MIN. DEPTH OF THE CABINET (PM)
1 0 615 70 250 2 0 0	250		250
1 0 615 70 270 2 0 0	270		270
1 0 615 70 300 2 0 0	300		300
1 0 615 70 350 2 0 0	350		350
1 0 615 70 400 2 0 0	400		400
1 0 615 70 450 2 0 0	450		450
1 0 615 70 470 2 0 0	470		470
1 0 615 70 500 2 0 0	500		500
1 0 615 70 550 2 0 0	550		550
1 0 615 70 600 2 0 0	600		600

## Fixing the drawer onto the runners

Clip part number **1 0 710 00 010 1 0 0**

Detail of the clip with tool free integrated height adjustment.



Detail of the Push system integrated into the runner which allows the opening of handle-less drawers.

