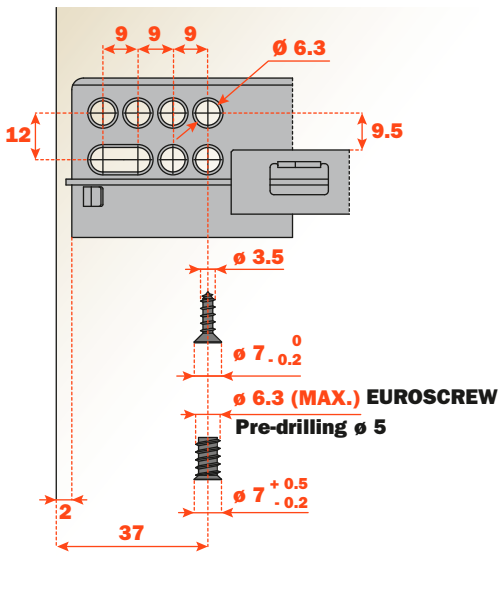


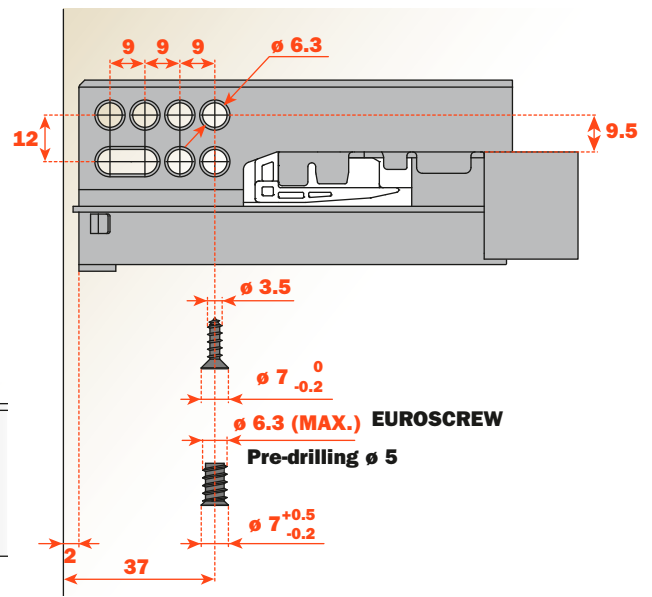
# Futura



## Fixing part-extension runner on cabinet side.

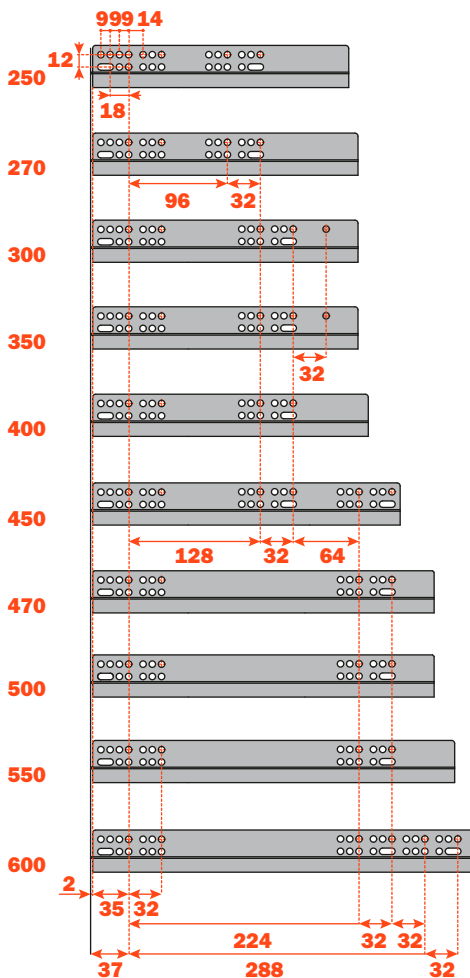


## Fixing full-extension runner on cabinet side.

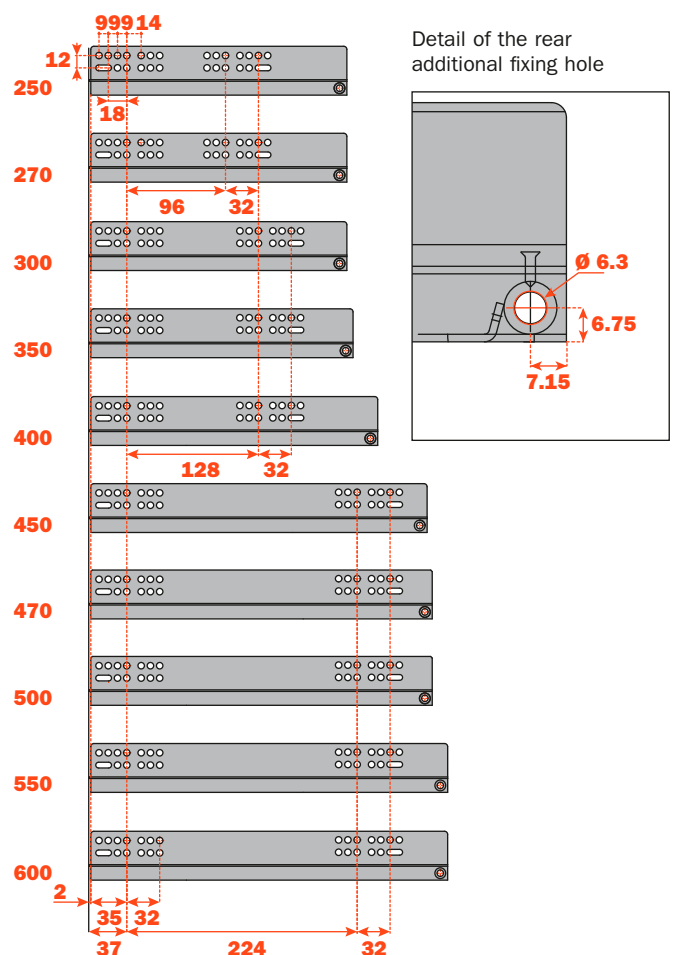


The oval slot allows the easy alignment of drawer frontals particularly in multi drawer and Push applications.

## Drilling positions for runner on cabinet side. Part-extension



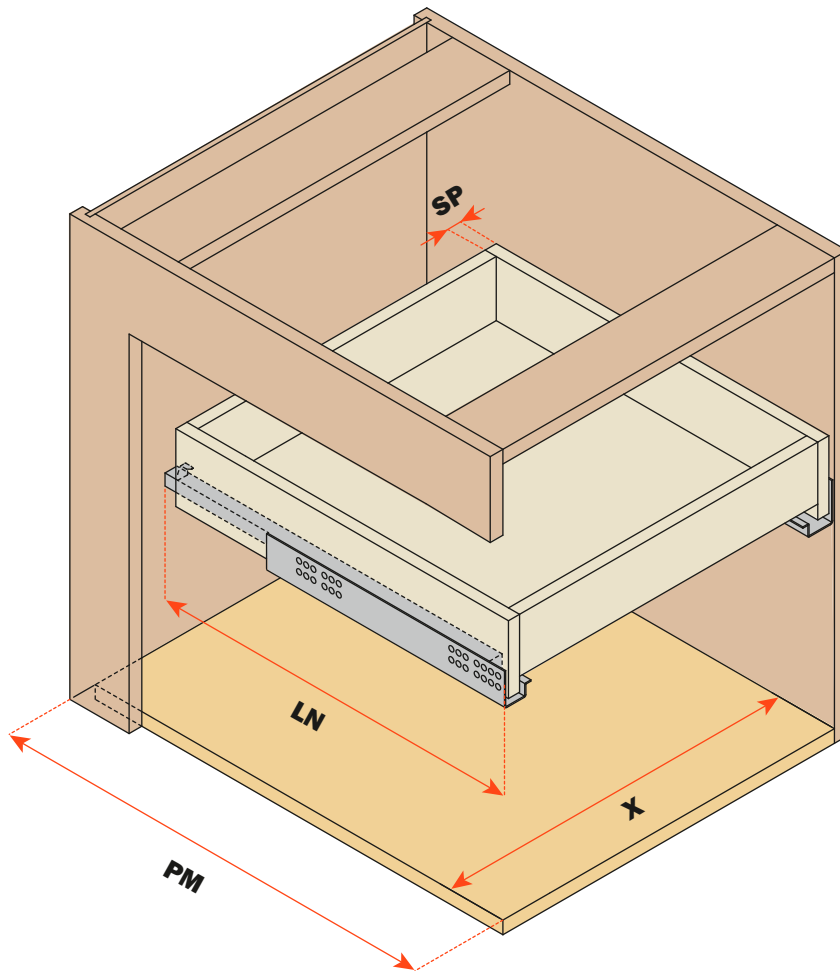
## Drilling positions for runner on cabinet side. Full-extension



**Drawer setting: abbreviations**

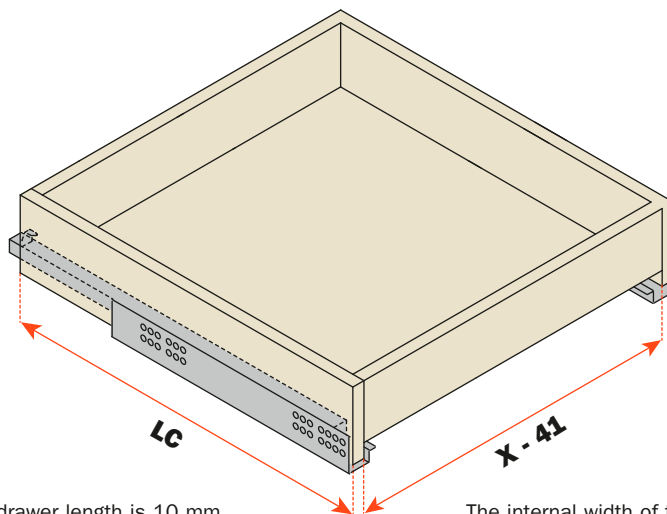
**Chest of drawers**

- SP** = Thickness of the drawer
- LN** = Nominal runner length
- PM** = Depth of the cabinet
- X** = Internal width of the cabinet



**Drawer dimensions**

- LC** = Runner length - 10 mm
- X - 41** = Internal width of the drawer

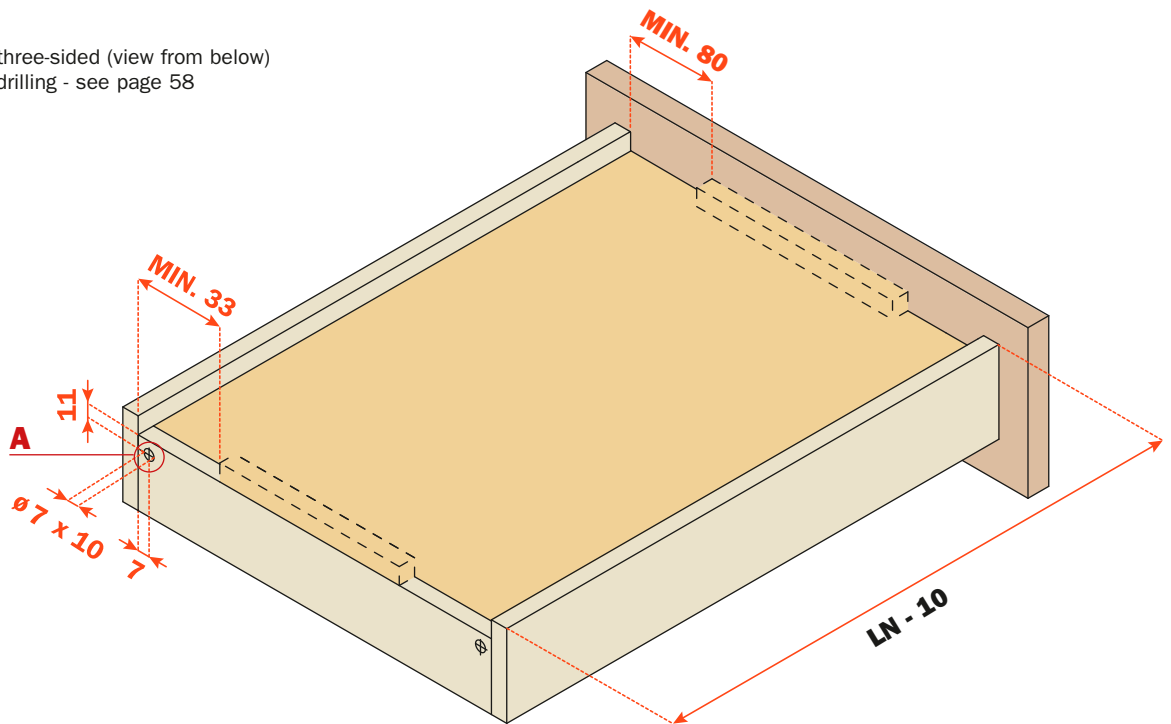


The drawer length is 10 mm shorter than the runner length

The internal width of the drawer is 41 mm less than the internal width of the cabinet

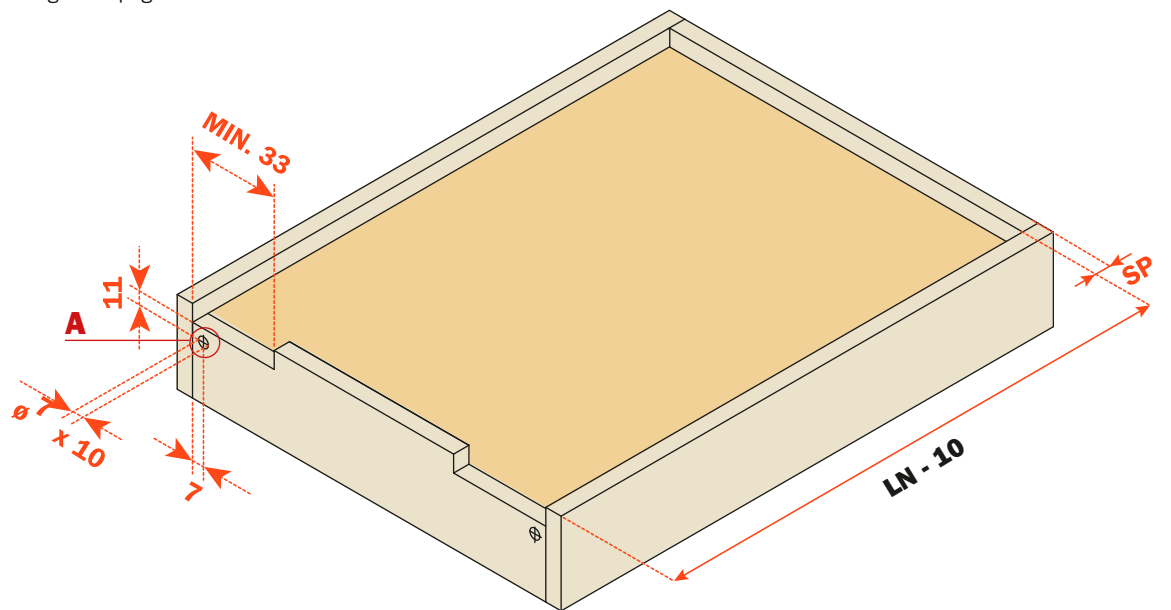
## Drawer drilling

Drawer with frontal - three-sided (view from below)  
Template for drawer drilling - see page 58

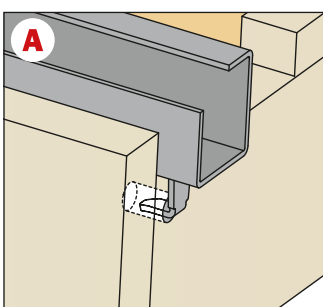


## Drawer drilling

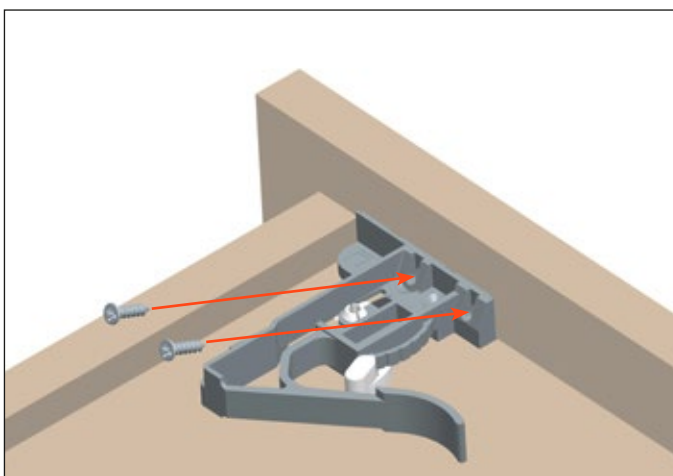
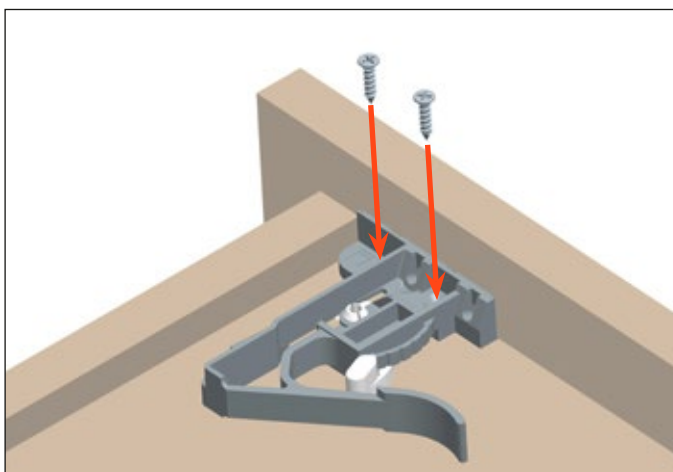
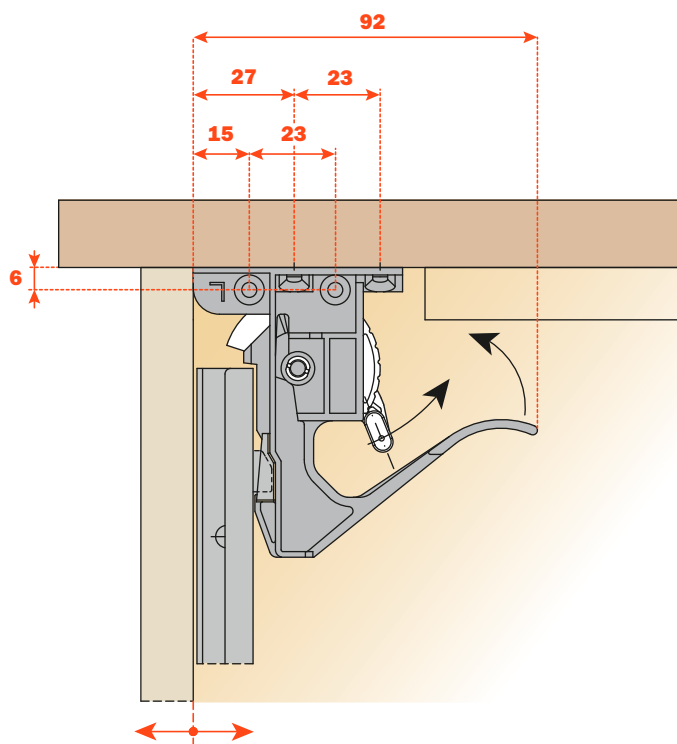
Internal drawer - four-sided (view from below)  
Template for drawer drilling - see page 58



Rear hook

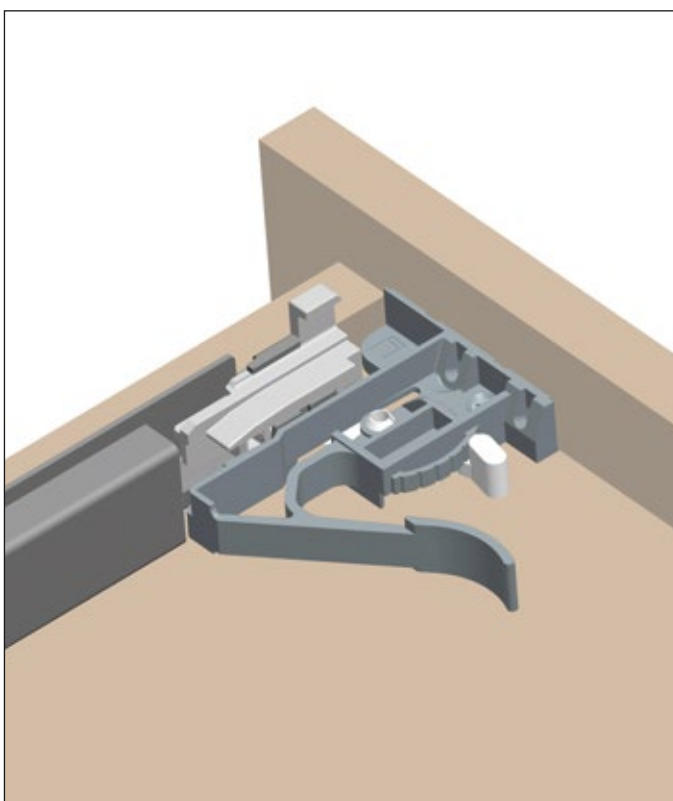
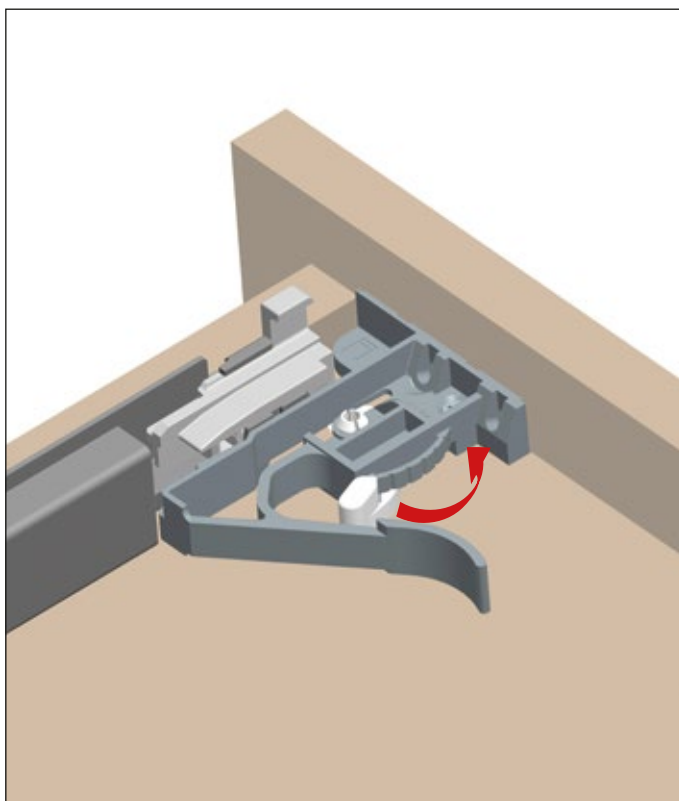


**Fixing clip**



**Drawer adjustment**

Drawer height adjustment (+ 2,5 mm) using the lever indicated  
This operation is tool free



## Futura - with 3 way adjustable clip

The 3 way adjustment allows to:

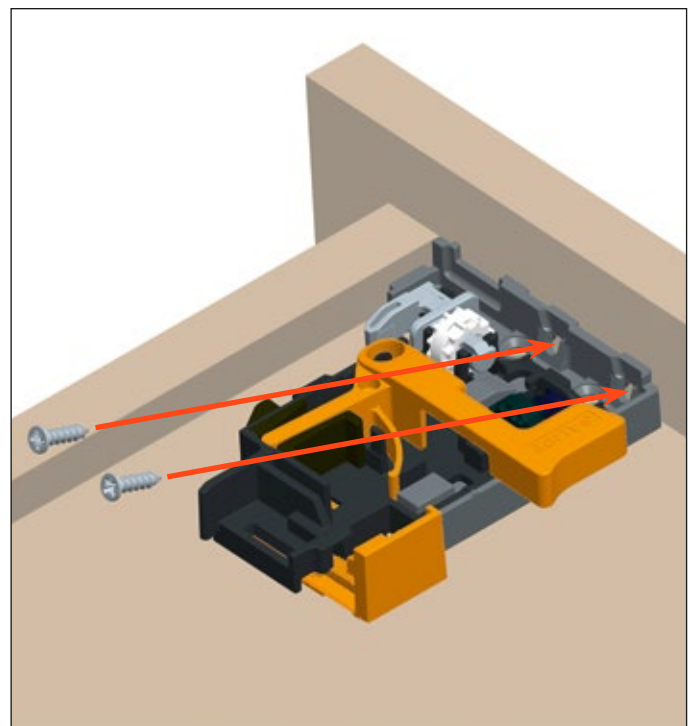
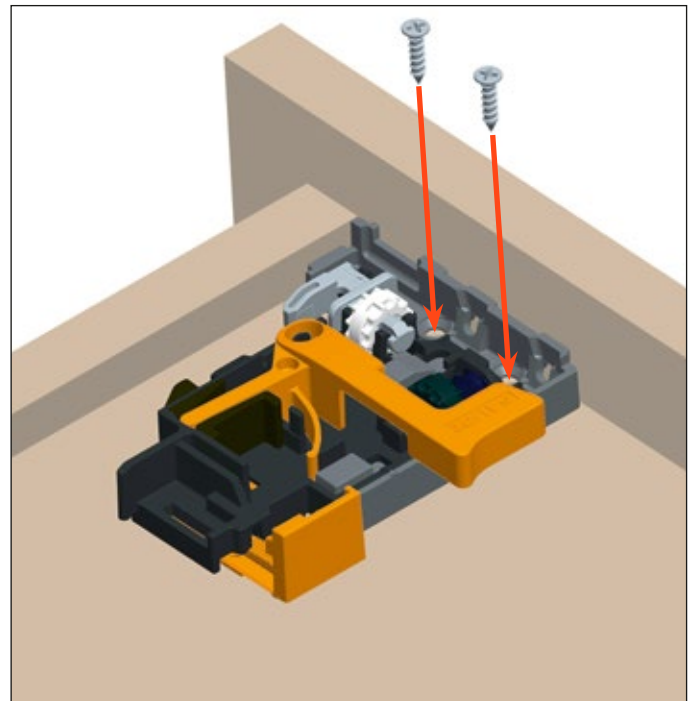
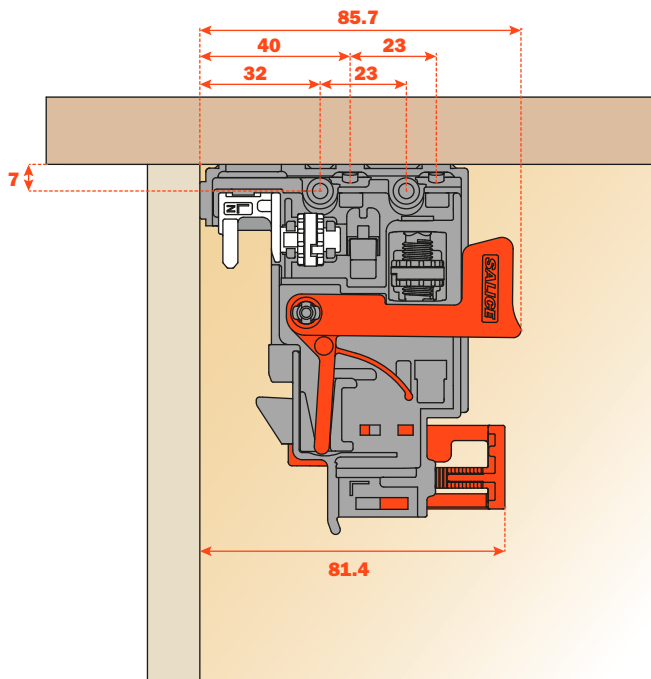
- align the drawers between them;
- align the drawers with the cabinet.

### Features and benefits of the clip:

- for all versions of full-extension runners
- tool free 3 way adjustment
- patented removal system of the drawer, from both the front and the sides of the drawer
- clip manufactured in Carbon Fibre rich material for light weight, strength and rigidity

### Clip assembly

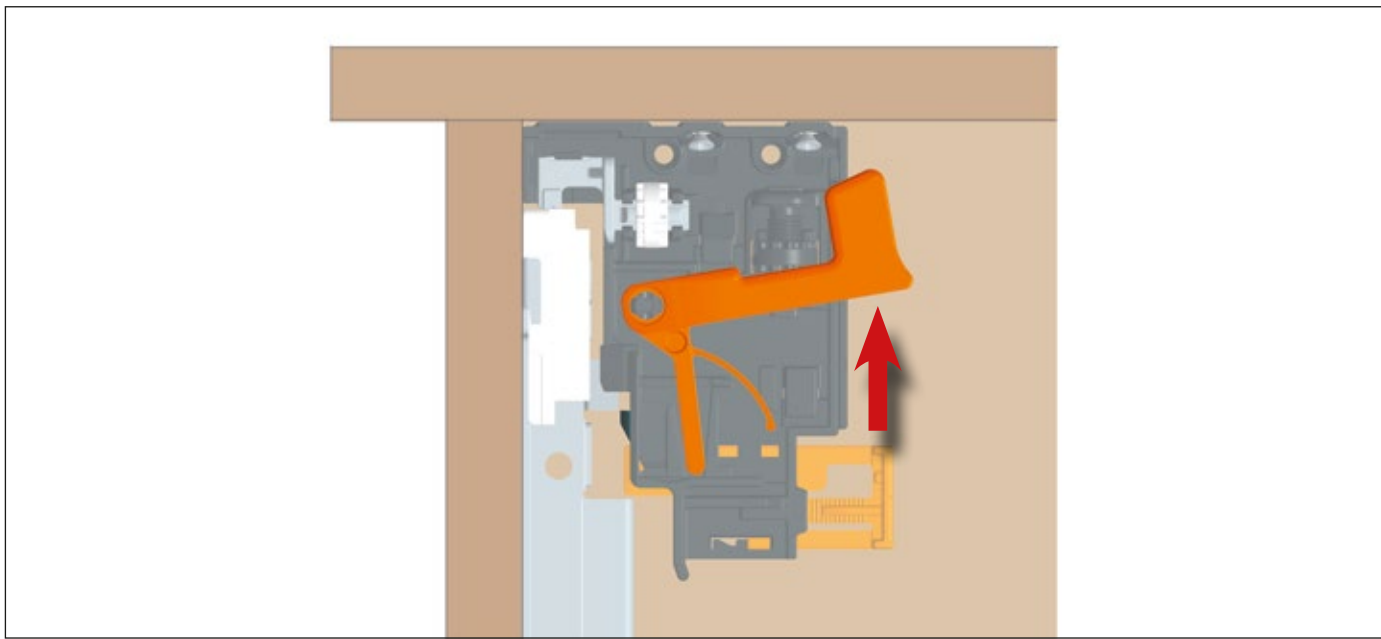
Position the left and the right clip at the front of the drawer.  
Fix with the screws on the bottom or on the front of the drawer as indicated in the images below.



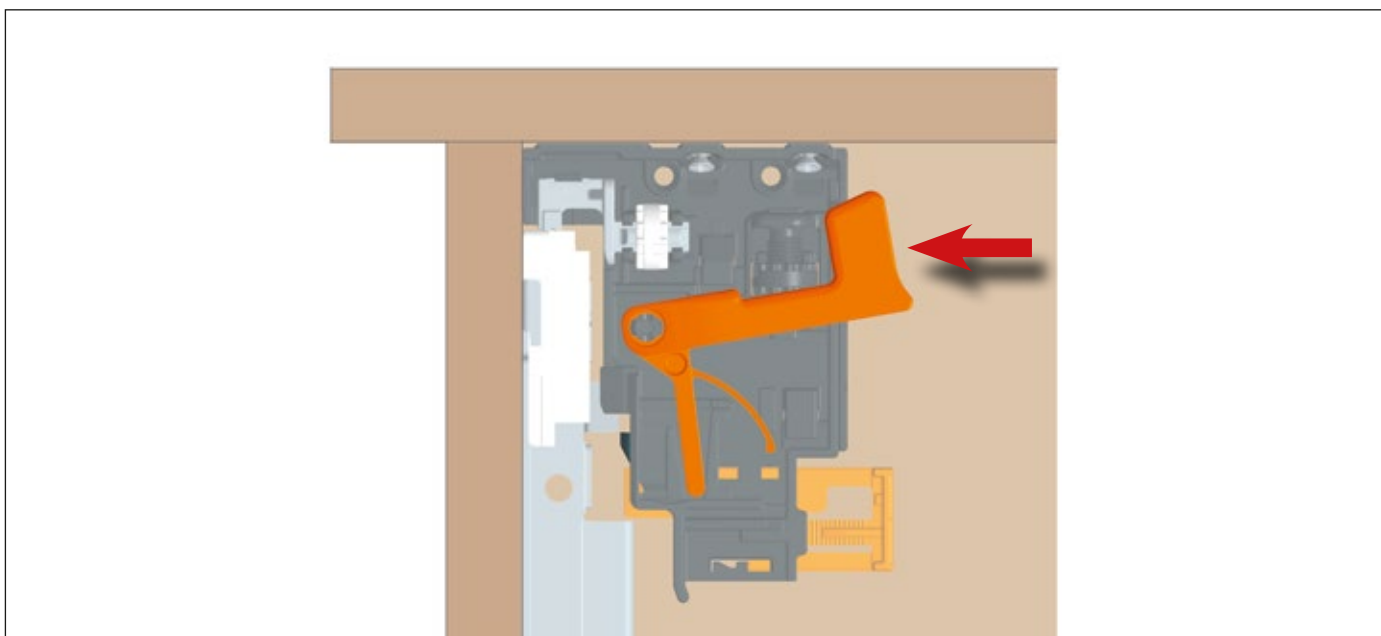
## Removed

The drawer can be removed operating from both the front and the sides.

**Removal from the front:** position the hands under the front of the drawer and operate on the orange levers, as indicated in the drawing, sliding the drawer forward.



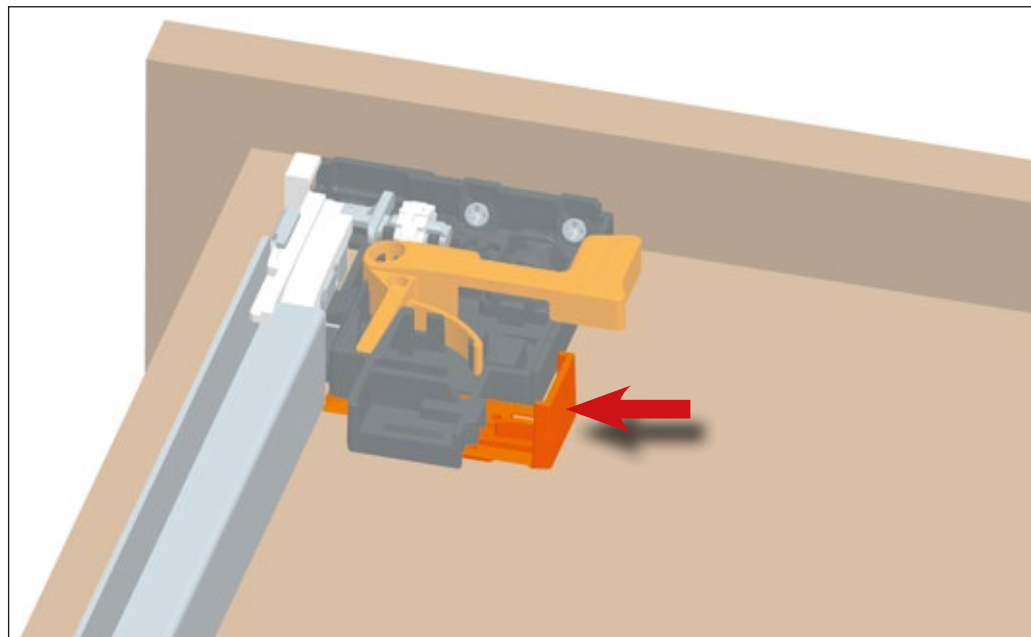
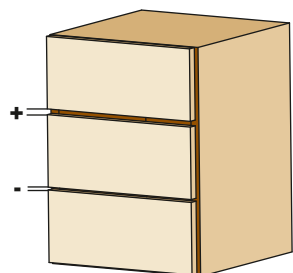
**Removal from the side:** position the hands under both sides of the drawer and operate on the orange levers, as indicated in the drawing, sliding the drawer forward.



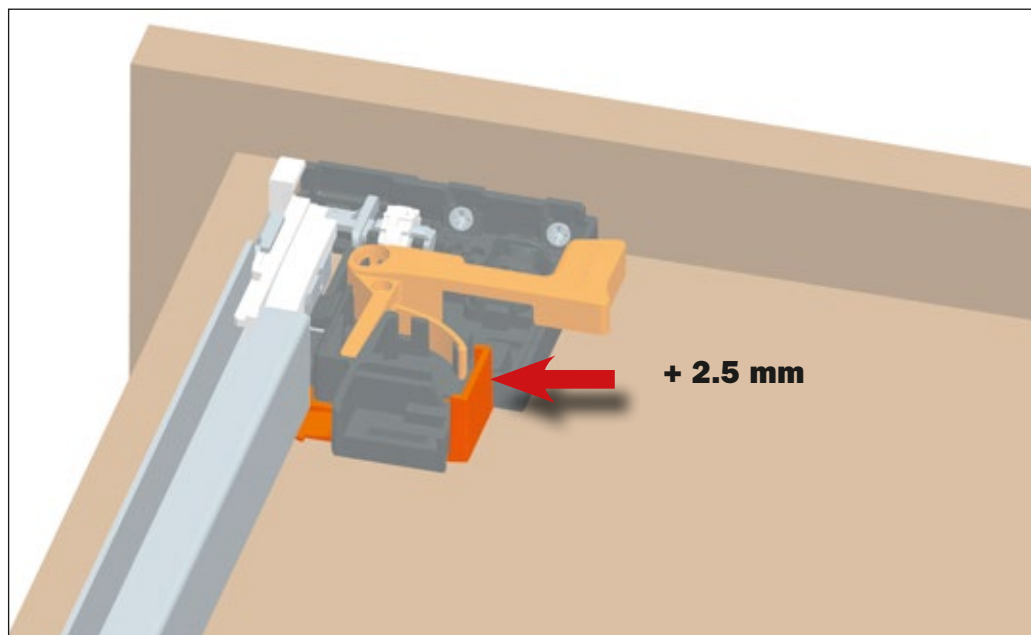
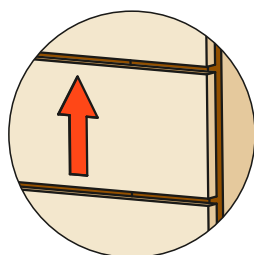
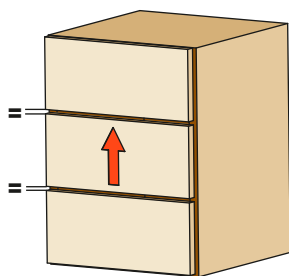
## Futura - with 3 way adjustable clip

### Height adjustment + 2.5 mm

Initial position of the lever for the height adjustment.



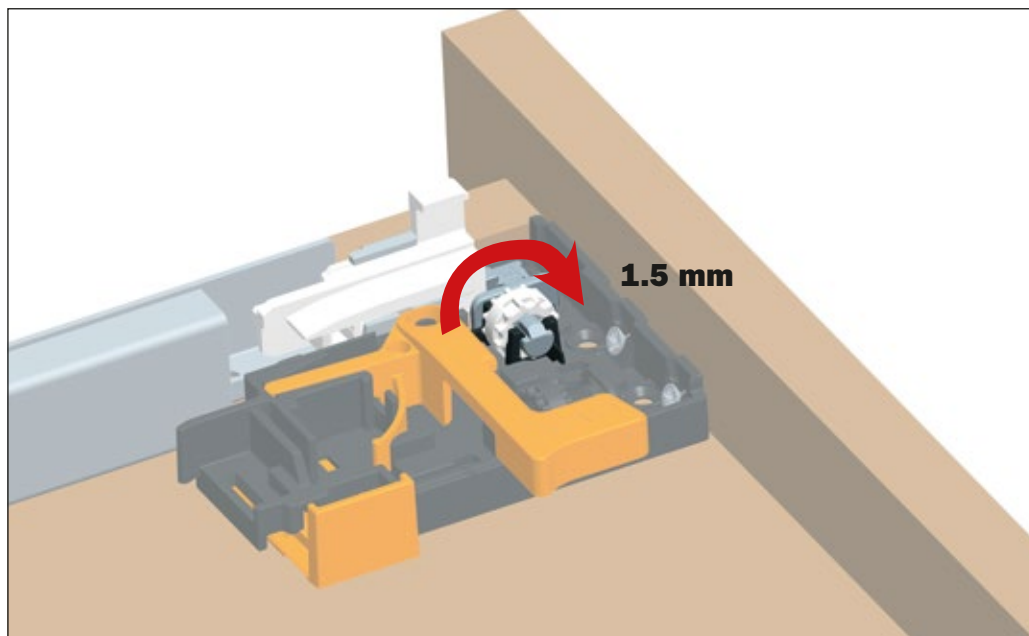
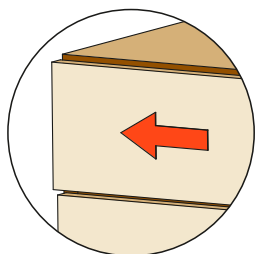
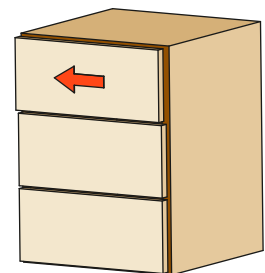
Push the lever towards the outside of the drawer to achieve the height adjustment.  
This operation is tool free.



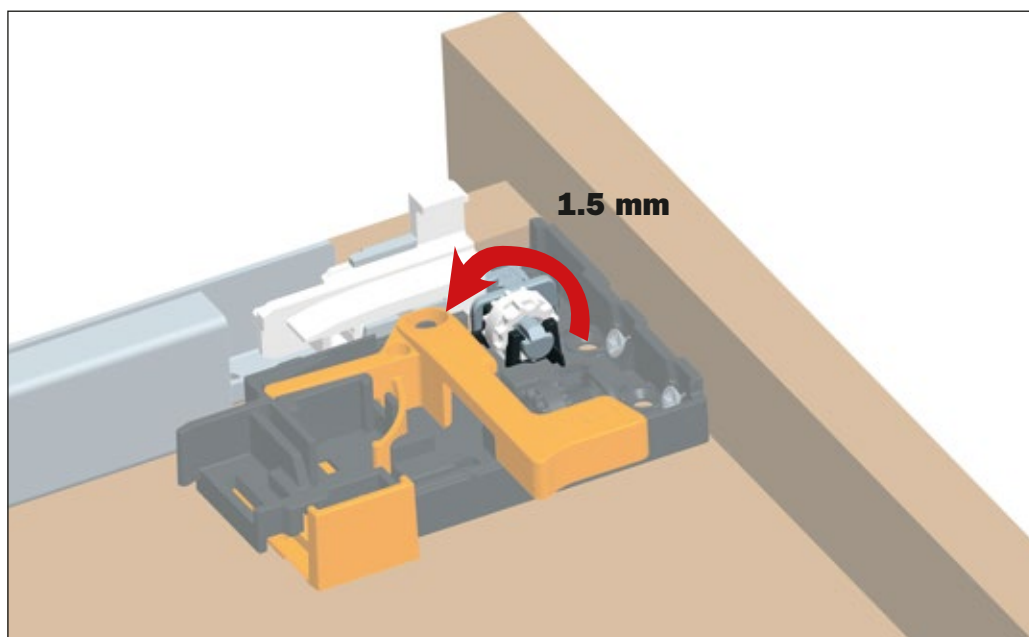
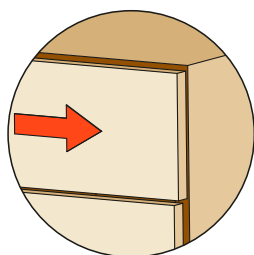
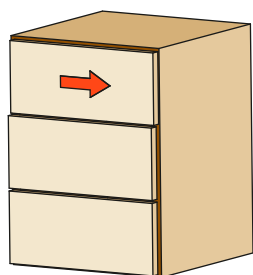


## Sideways adjustment + 1.5 mm - 1.5 mm

Rotate the white wheel towards the front of the drawer to adjust left.  
The clip shows the position 0.  
This operation is tool free.



Rotate the white wheel towards the back of the drawer to adjust right.  
The clip shows the position 0.  
This operation is tool free.

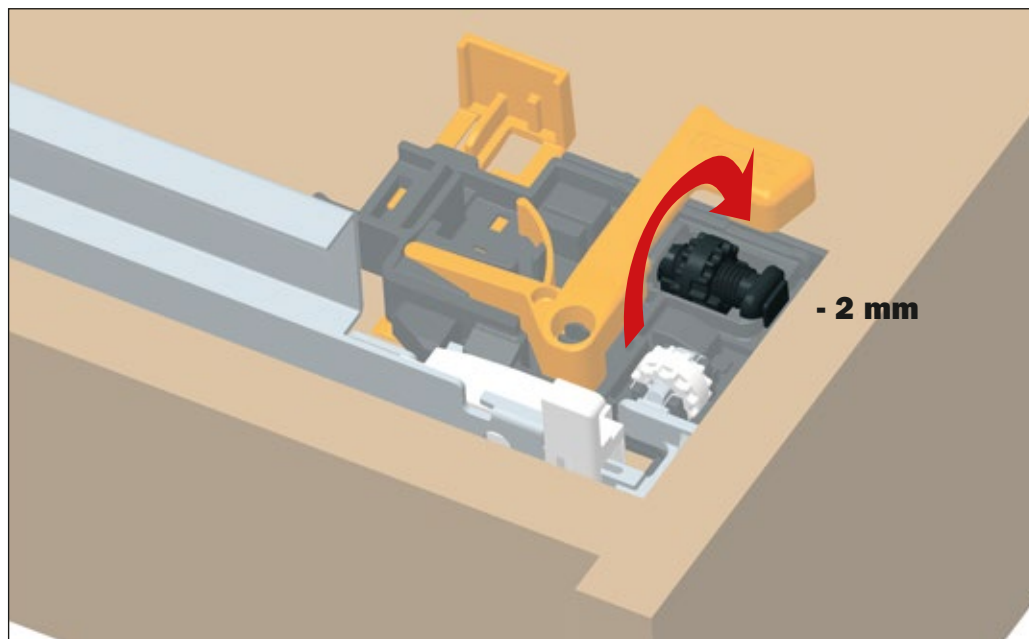
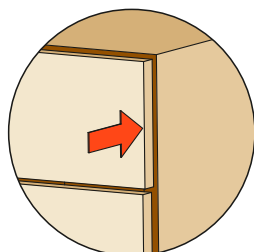
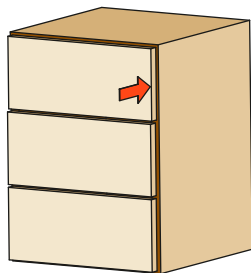


For sideways adjustment, it is recommended that the adjusters on the clips are operated in the same direction, in order to maintain the correct alignment and movement of the runners.

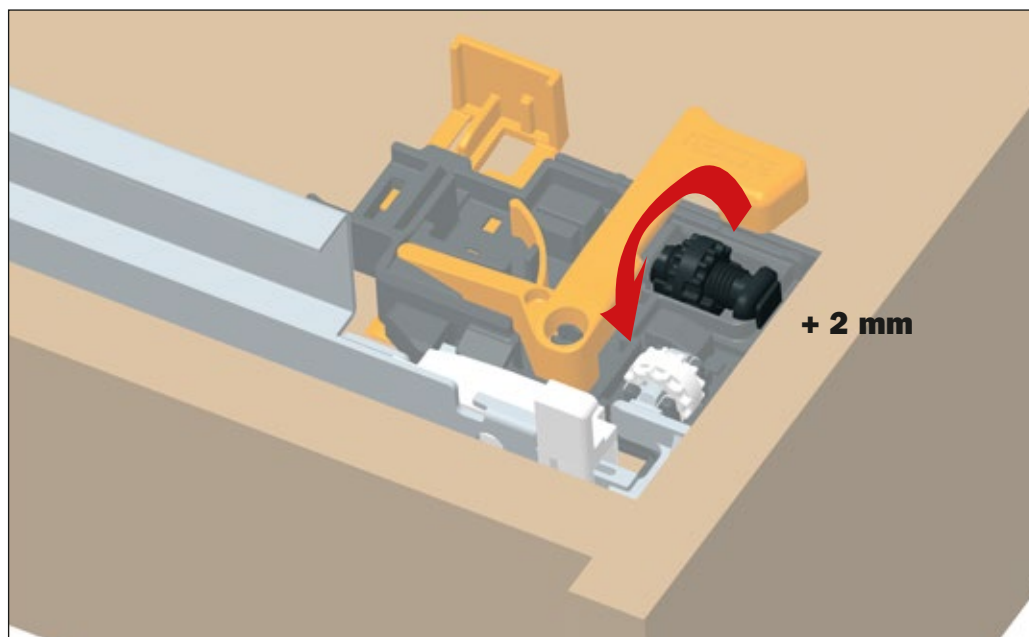
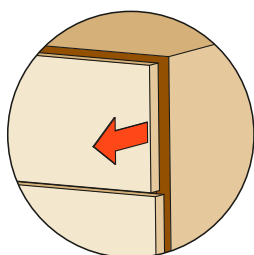
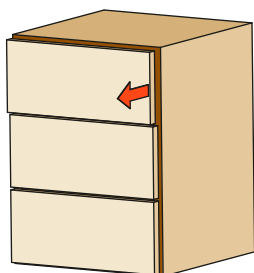
## Futura - with 3 way adjustable clip

### Depth adjustment + 2 mm - 2 mm

Rotate the black wheel towards the inside of the drawer to reduce the gap between the front and the side.  
The clip shows the position 0.  
This operation is tool free.



Rotate the black wheel towards the outside of the drawer to increase the gap between the front and the side.  
The clip shows the position 0.  
This operation is tool free.





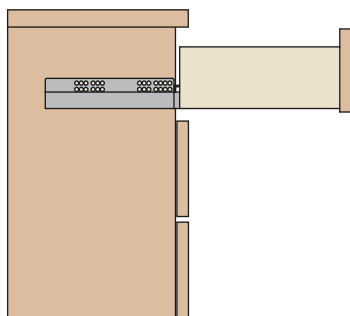
**Full-extension runner fixed to the drawer by clip.**

**Push:** the new opening system for handle-less drawers, is fully integrated in the runner.

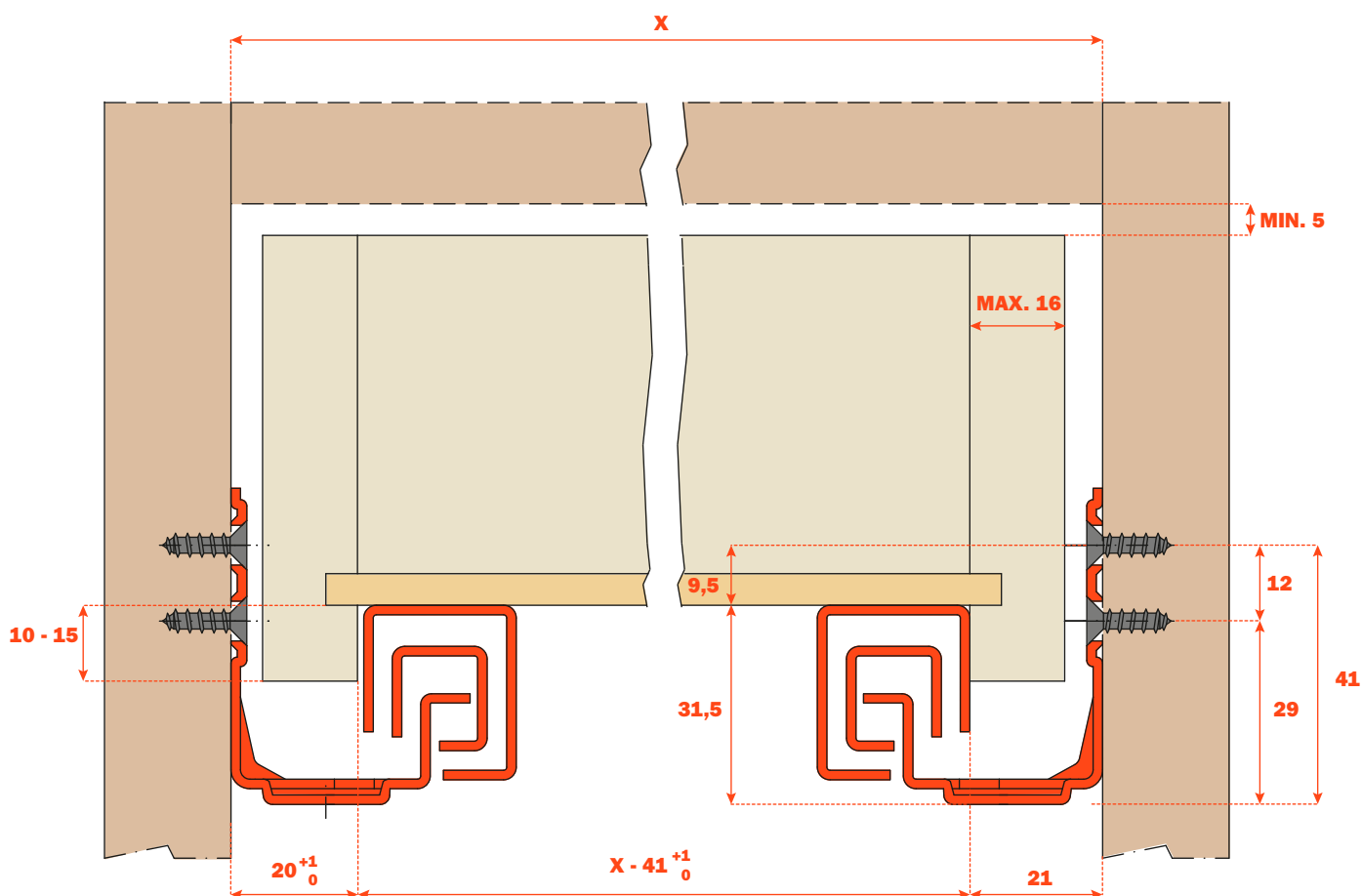
**A slight pressure of the drawer frontal is sufficient for the drawer to self-open.**

### Product features

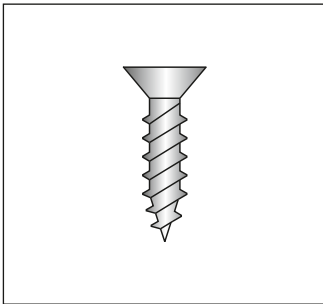
- Dynamic load capacity N 294 (Kg 30).
- Push opening system.
- Safety system that prevents the drawers from turning over.
- Drawer height adjustment +2.5 mm with clip 10 710.
- Drawer height adjustment +2.5 mm, side adjustment  $\pm 1.5$  mm depth adjustment  $\pm 2$  mm with clip 10 750.
- The drawer is maintained parallel with the cabinet side during opening.
- The drawer is held in the closed position.
- Compatible with ART. 6157.
- Finish: bright zinc-plated.



### Dimensions



### Part number



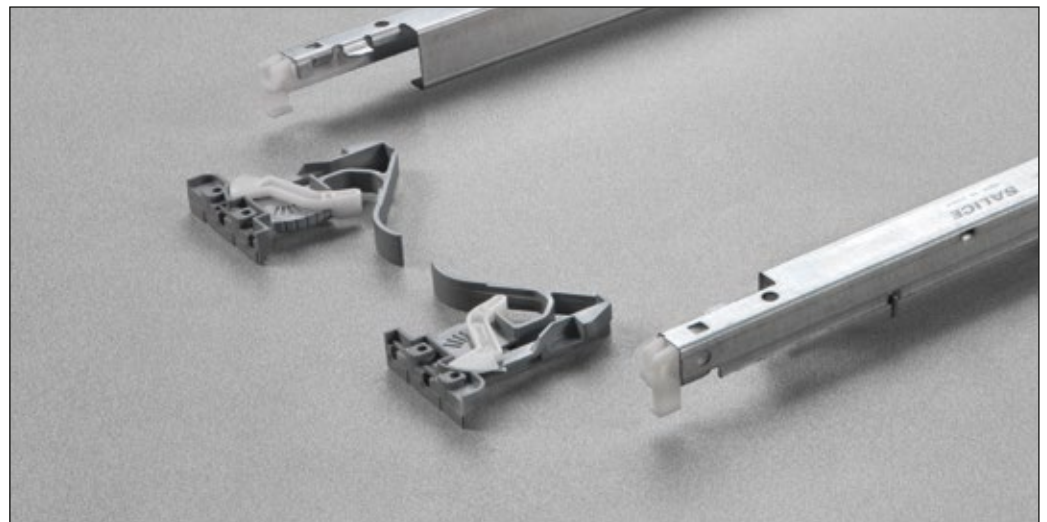
To be screw fixed  
Screw TSP  $\varnothing$  3,5 mm

BASIC PART NUMBER	RUNNER LENGTH (LN)	=	MIN. DEPTH OF THE CABINET (PM)
1 0 655 70 250 2 0 0	250		260
1 0 655 70 270 2 0 0	270		280
1 0 655 70 300 2 0 0	300		310
1 0 655 70 350 2 0 0	350		360
1 0 655 70 400 2 0 0	400		410
1 0 655 70 450 2 0 0	450		460
1 0 655 70 470 2 0 0	470		480
1 0 655 70 500 2 0 0	500		510
1 0 655 70 550 2 0 0	550		555
1 0 655 70 600 2 0 0	600		605

### Fixing the drawer onto the runners

Clip part number **1 0 710** 00 010 1 0 0

Detail of the clip with tool free integrated height adjustment.



Clip part number **1 0 750** 00 010 1 0 0

Detail of the tool free integrated 3-way adjustment clip (height, depth and side adjustment).

