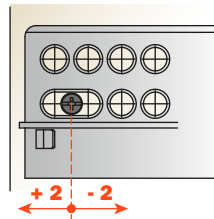
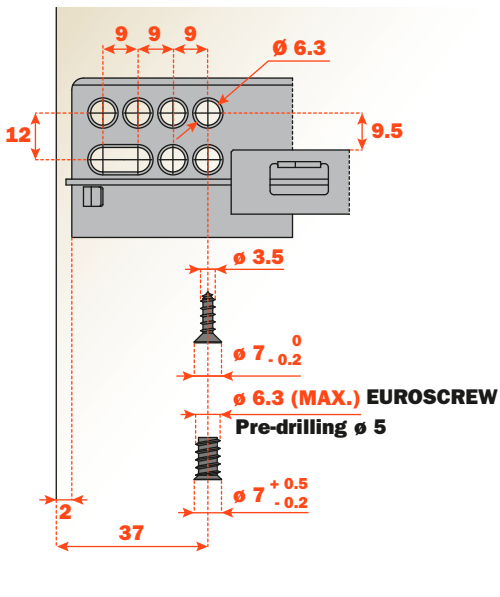


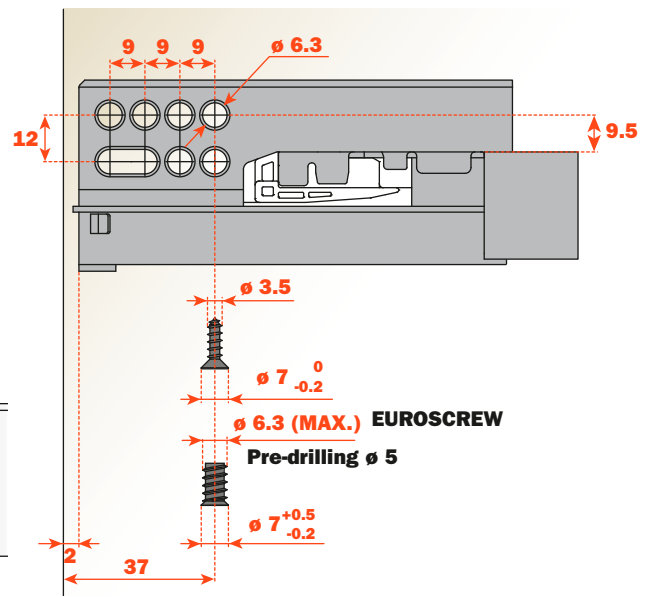
Futura



Fixing part-extension runner on cabinet side.

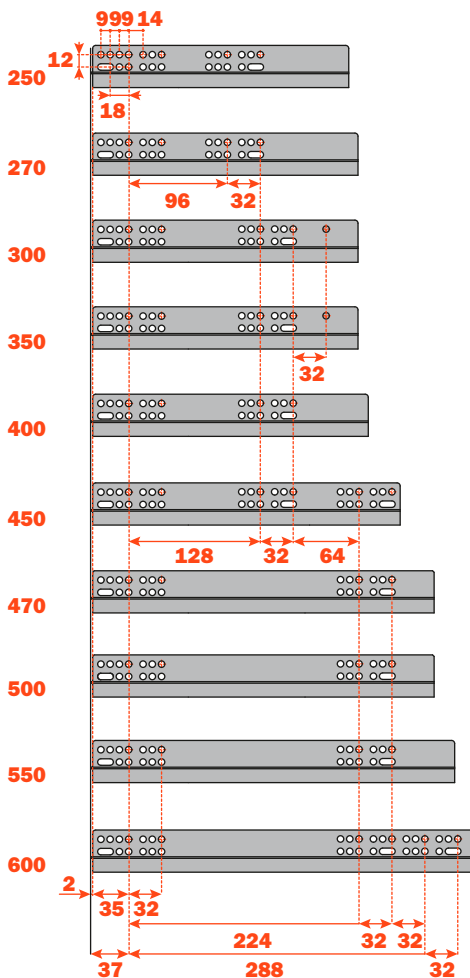


Fixing full-extension runner on cabinet side.

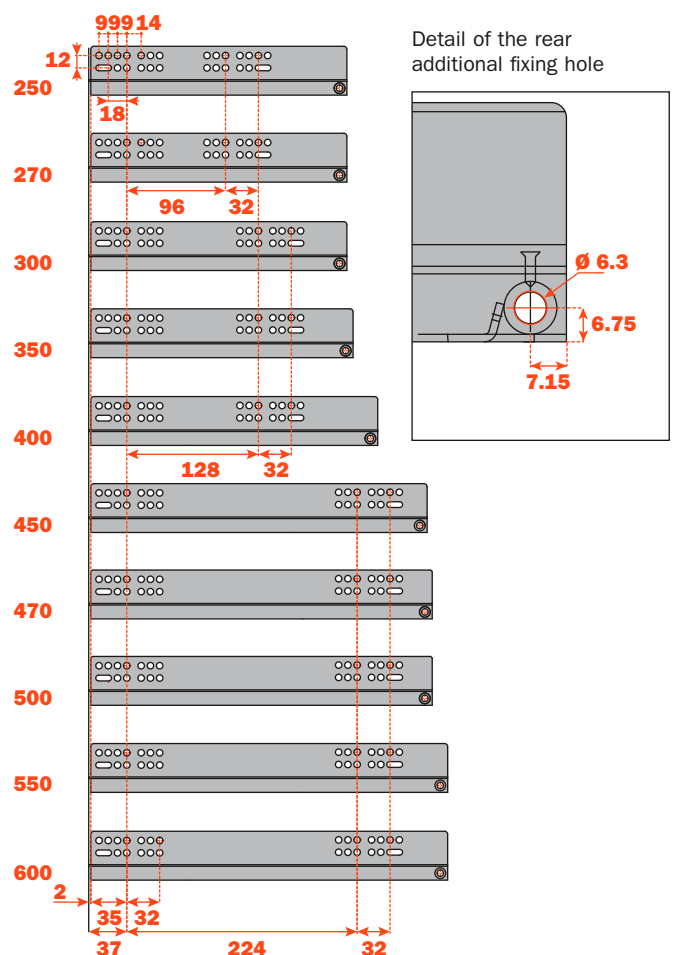


The oval slot allows the easy alignment of drawer frontals particularly in multi drawer and Push applications.

Drilling positions for runner on cabinet side. Part-extension



Drilling positions for runner on cabinet side. Full-extension



Drawer setting: abbreviations

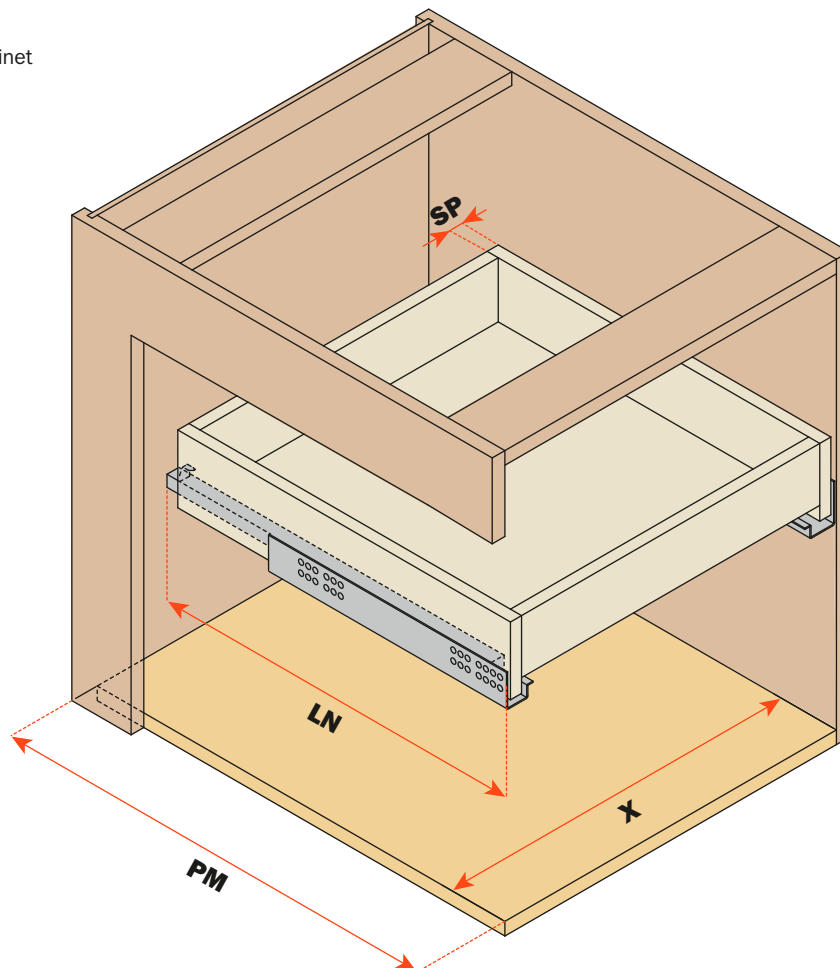
Chest of drawers

SP = Thickness of the drawer

LN = Nominal runner length

PM = Depth of the cabinet

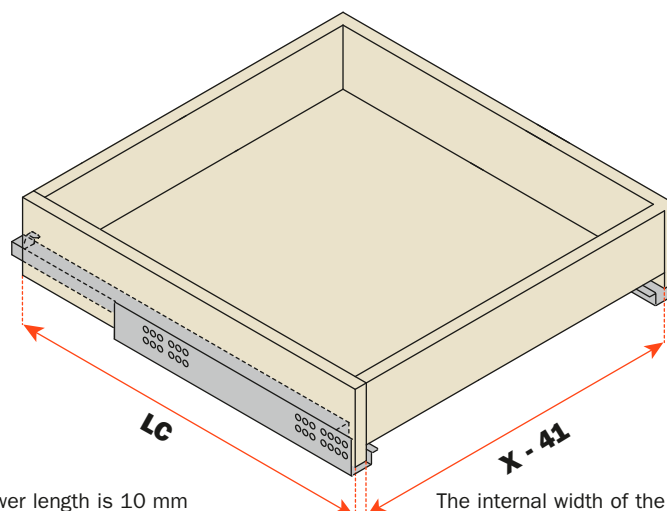
X = Internal width of the cabinet



Drawer dimensions

LC = Runner length - 10 mm

X - 41 = Internal width of the drawer



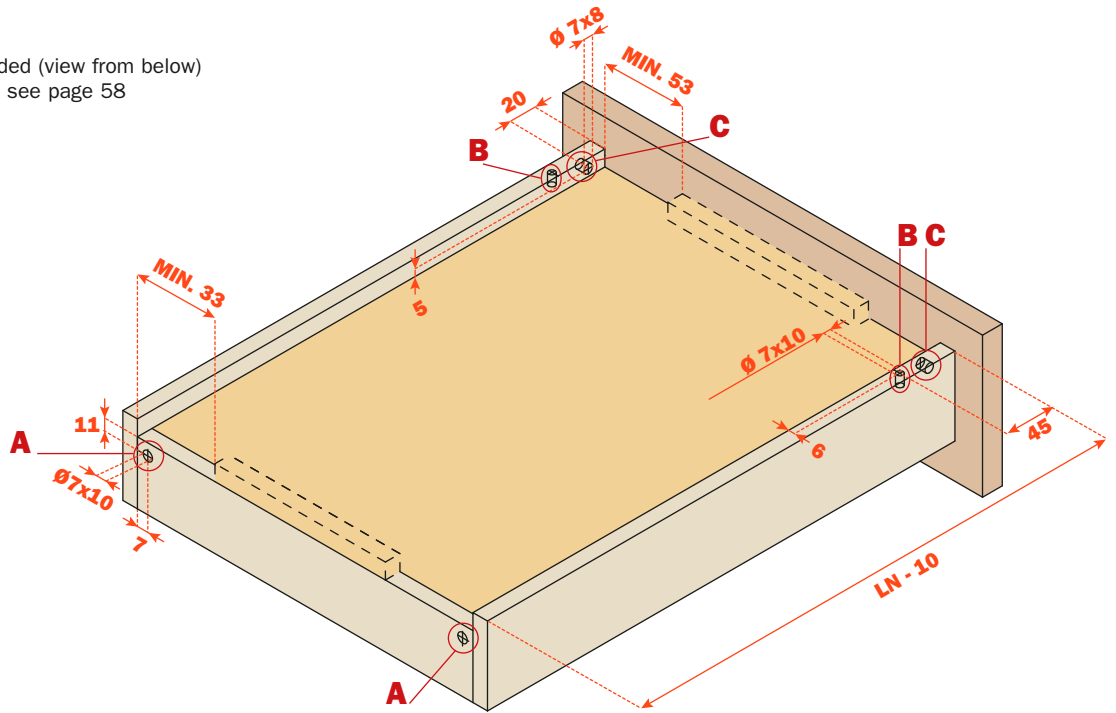
The drawer length is 10 mm shorter than the runner length

The internal width of the drawer is 41 mm less than the internal width of the cabinet

Drawer drilling

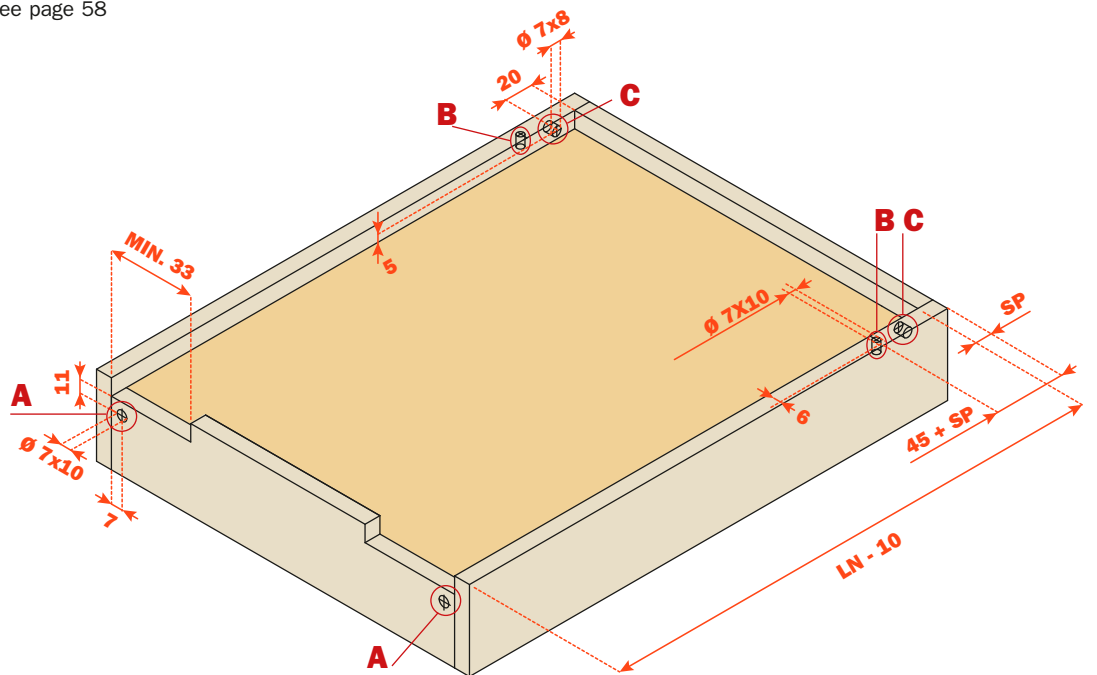
Drawer drilling

Drawer with frontal - three-sided (view from below)
 Template for drawer drilling - see page 58



Drawer drilling

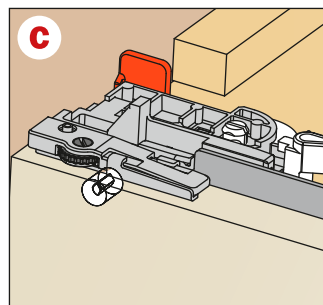
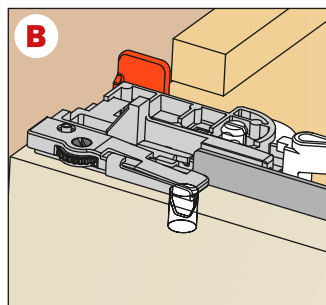
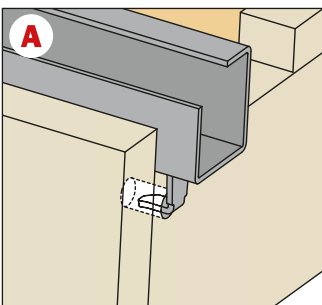
Internal drawer - four-sided (view from below)
 Template for drawer drilling - see page 58



Rear hook

drawer locating pin

security pin

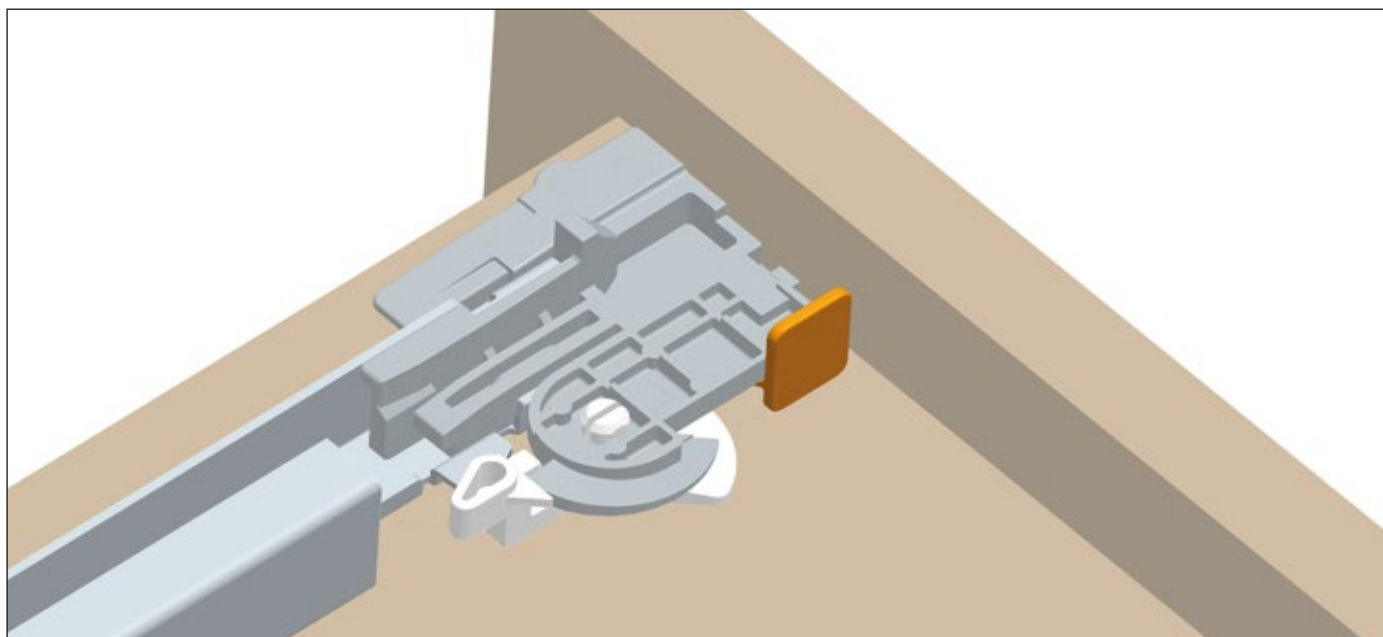
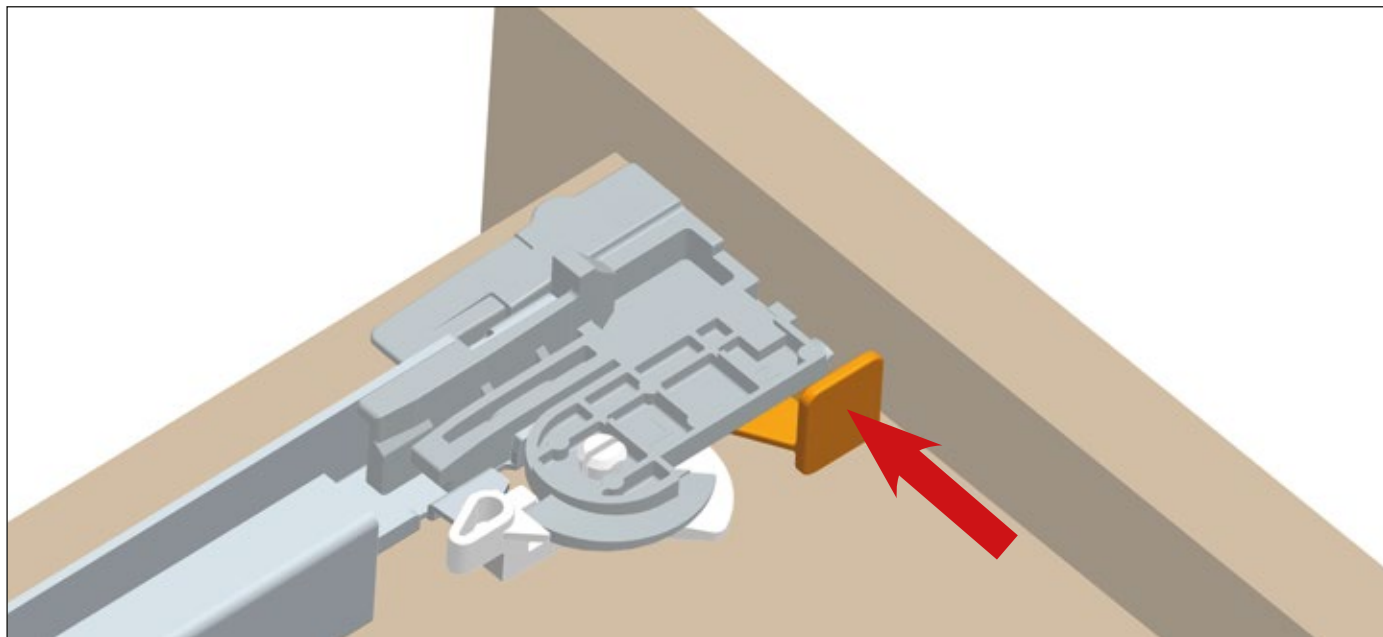


Fixing of the drawer security pin

Available on all runner versions.

This operation is tool free.

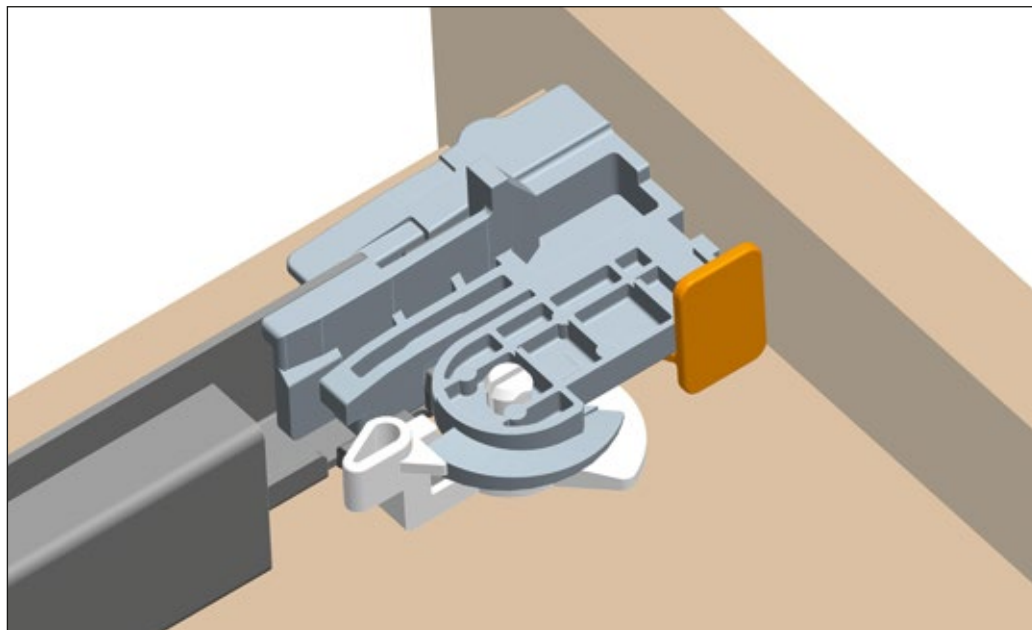
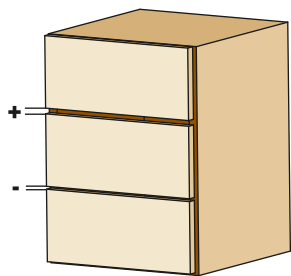
The device locks the drawer onto the runners.



Height adjustment + 3 mm

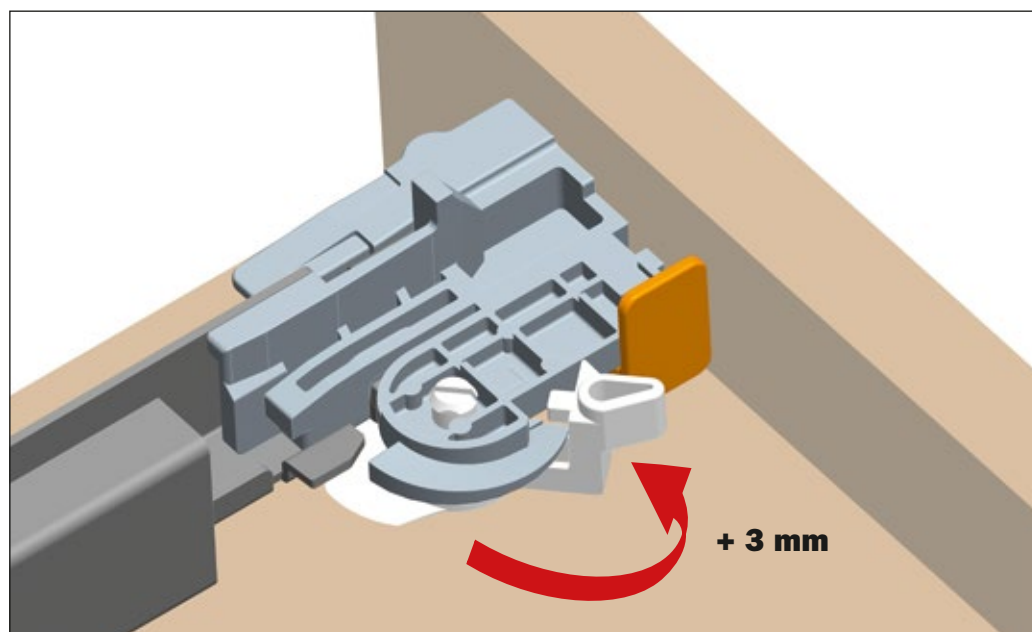
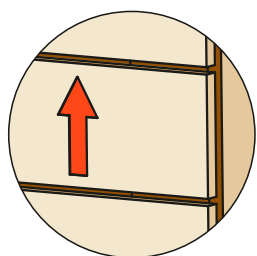
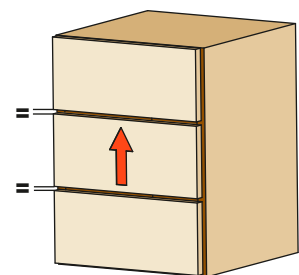
Available on all runner versions.
This operation is tool free.

Initial position of the lever for the height adjustment.



Turn the lever towards the front of the drawer to achieve the height adjustment.

This operation is tool free.



Futura Smove 6525 - Concealed runner

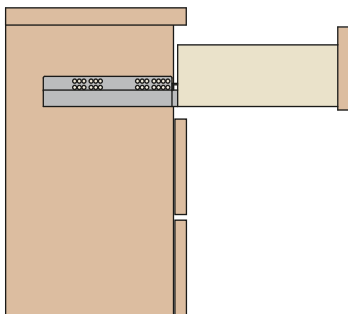


Full-extension runner fixed to the drawer by pin-fix clip.

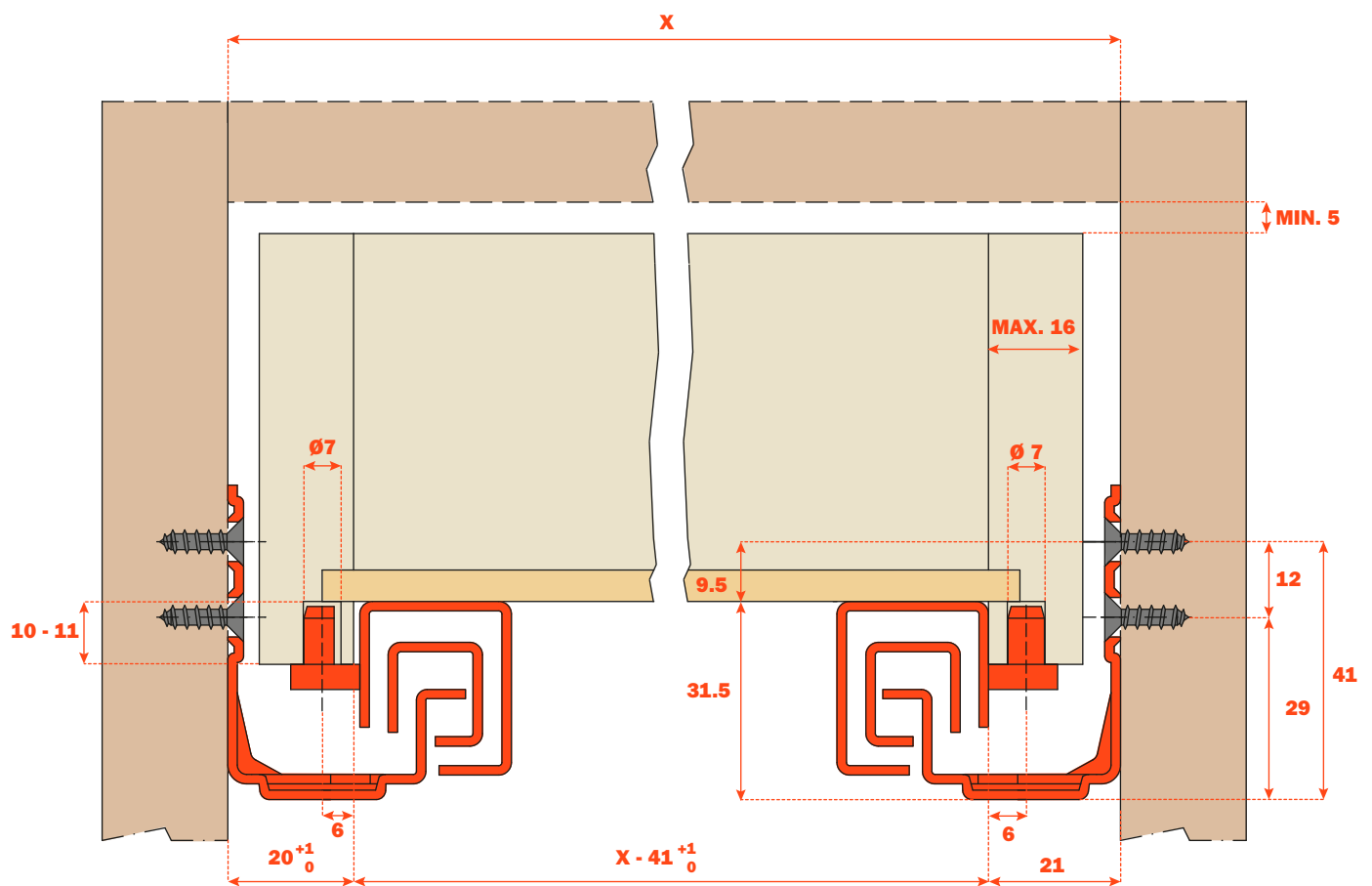
Smove: fully integrated in the runner, decelerates the closing action of the drawer.

Product features

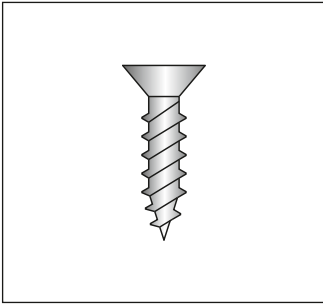
- Dynamic load capacity N 294 (Kg 30).
- Smove decelerated closing.
- Safety system that prevents the drawers from turning over.
- Drawer height adjustment +3 mm.
- The drawer is maintained parallel with the cabinet side during opening.
- Drawer fixing without screws.
- Compatible with ART. 6125.
- Finish: bright zinc-plated.



Dimensions



Part number

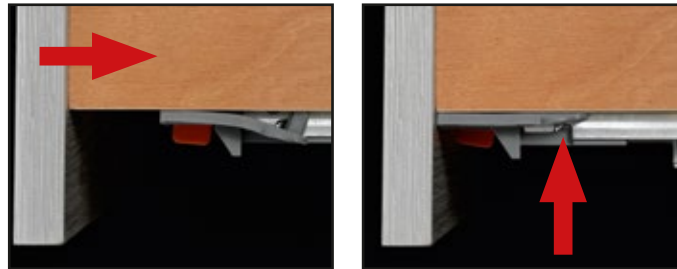


To be screw fixed
Screw TSP \varnothing 3,5 mm

BASIC PART NUMBER	RUNNER LENGTH (LN)	=	MIN. DEPTH OF THE CABINET (PM)
1 0 652 50 250 2 0 0	250		260
1 0 652 50 270 2 0 0	270		280
1 0 652 50 300 2 0 0	300		310
1 0 652 50 350 2 0 0	350		360
1 0 652 50 400 2 0 0	400		410
1 0 652 50 450 2 0 0	450		460
1 0 652 50 470 2 0 0	470		480
1 0 652 50 500 2 0 0	500		510
1 0 652 50 550 2 0 0	550		555
1 0 652 50 600 2 0 0	600		605

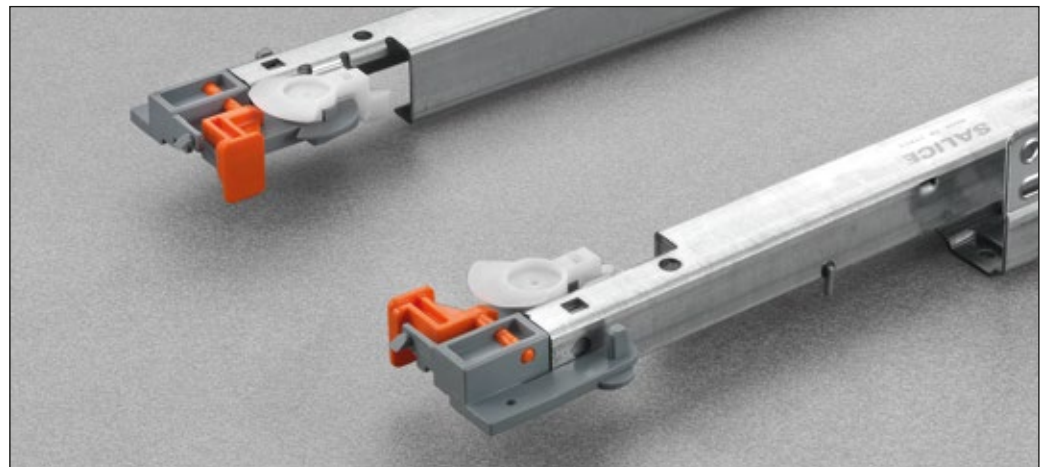
Fixing the drawer onto the runners

The flexibility of the system enables the locating pin to be engaged simply by placing the drawer onto the runners and closing it.



Detail of the pin-fix clip premounted on the runner, with:

- Tool free height adjustment;
- Safety device to prevent the drawers from turning over;
- Locating pin.



Detail of the Smove system integrated into the runner which allows the decelerated closing of the drawers.

