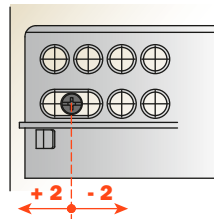
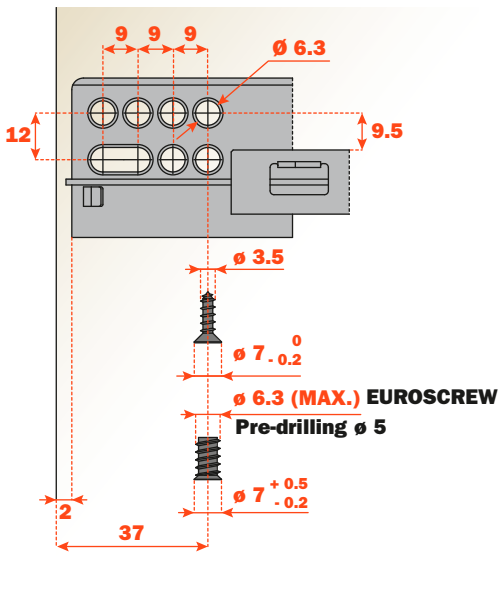


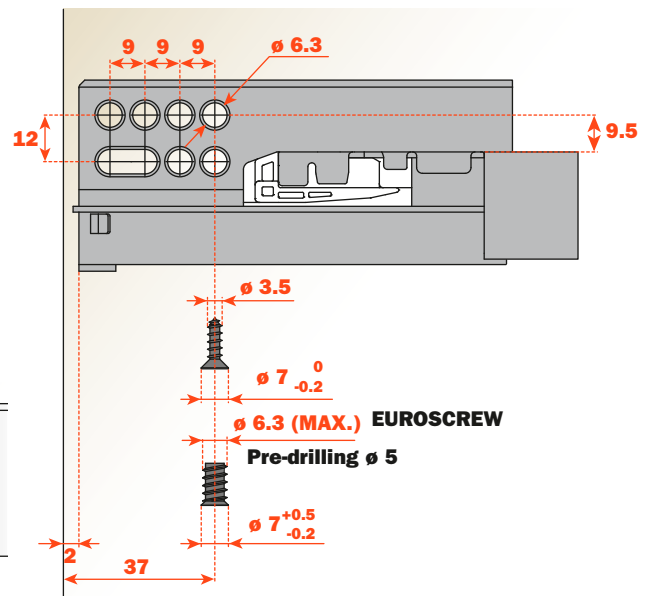
Futura



Fixing part-extension runner on cabinet side.

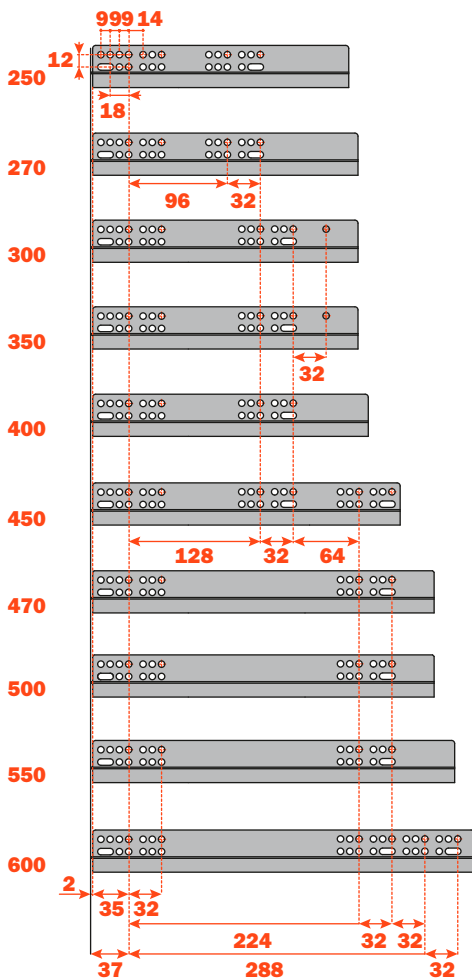


Fixing full-extension runner on cabinet side.

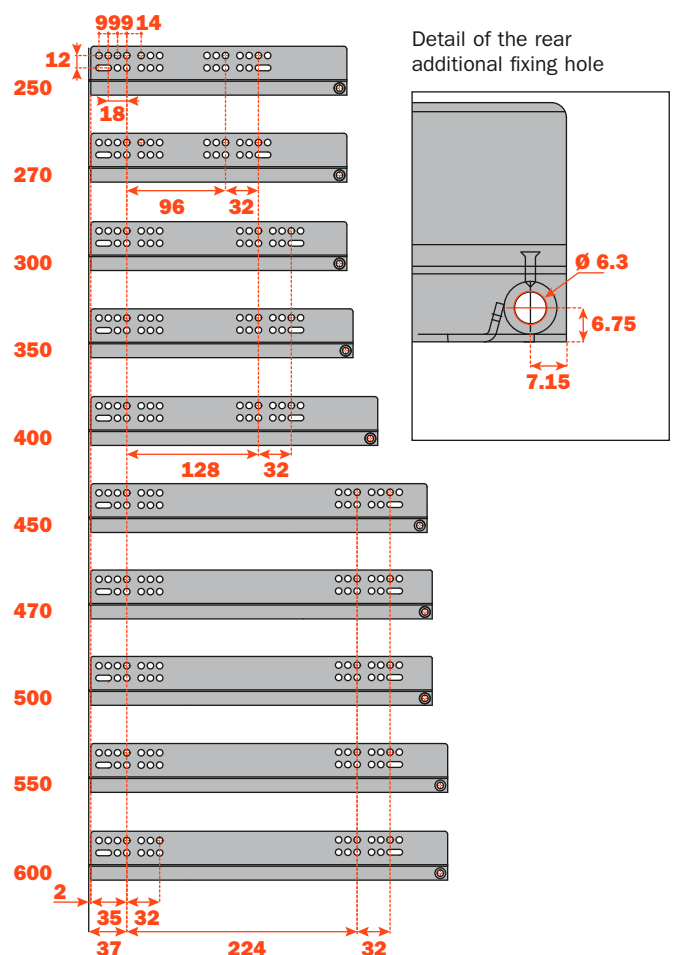


The oval slot allows the easy alignment of drawer frontals particularly in multi drawer and Push applications.

Drilling positions for runner on cabinet side. Part-extension



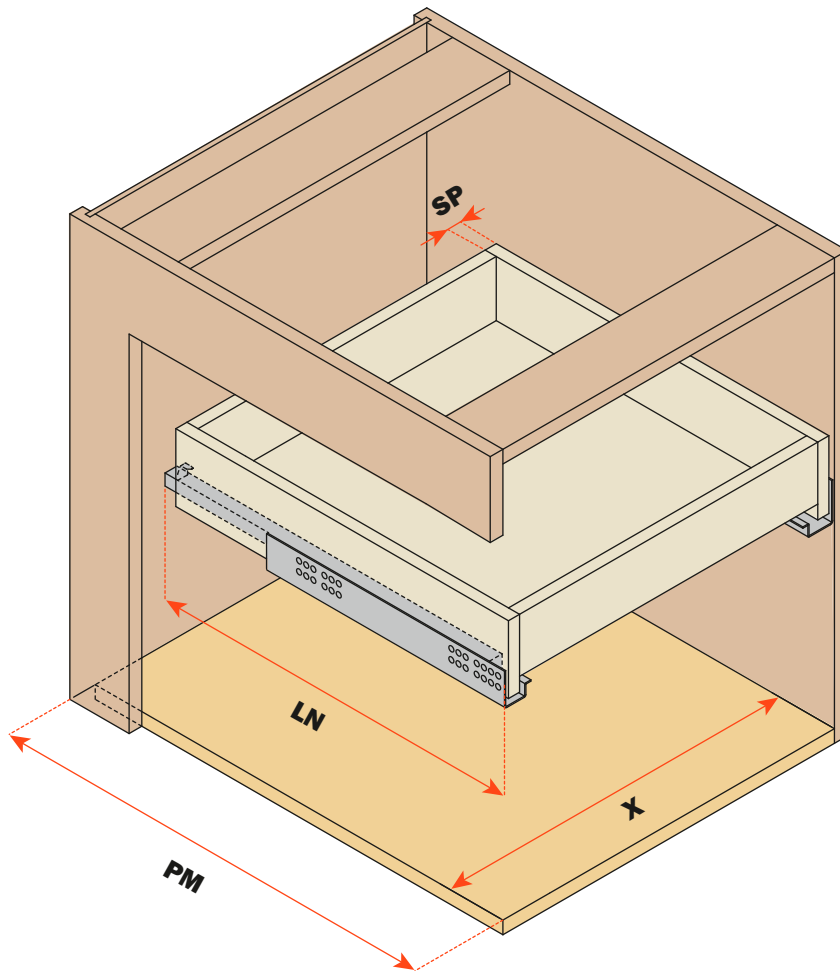
Drilling positions for runner on cabinet side. Full-extension



Drawer setting: abbreviations

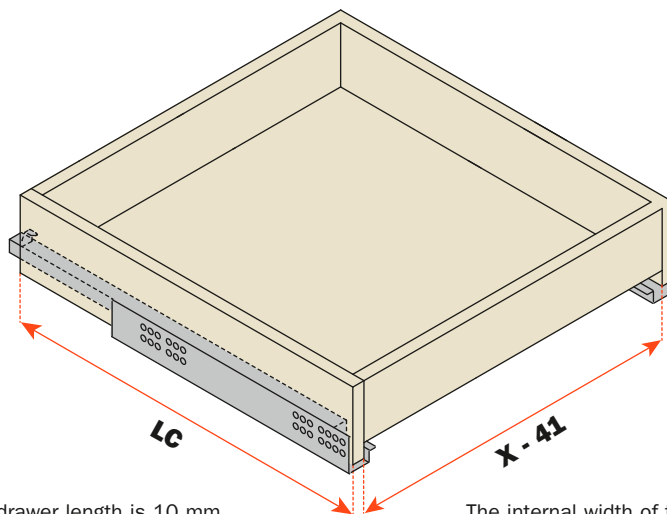
Chest of drawers

- SP** = Thickness of the drawer
- LN** = Nominal runner length
- PM** = Depth of the cabinet
- X** = Internal width of the cabinet



Drawer dimensions

- LC** = Runner length - 10 mm
- X - 41** = Internal width of the drawer

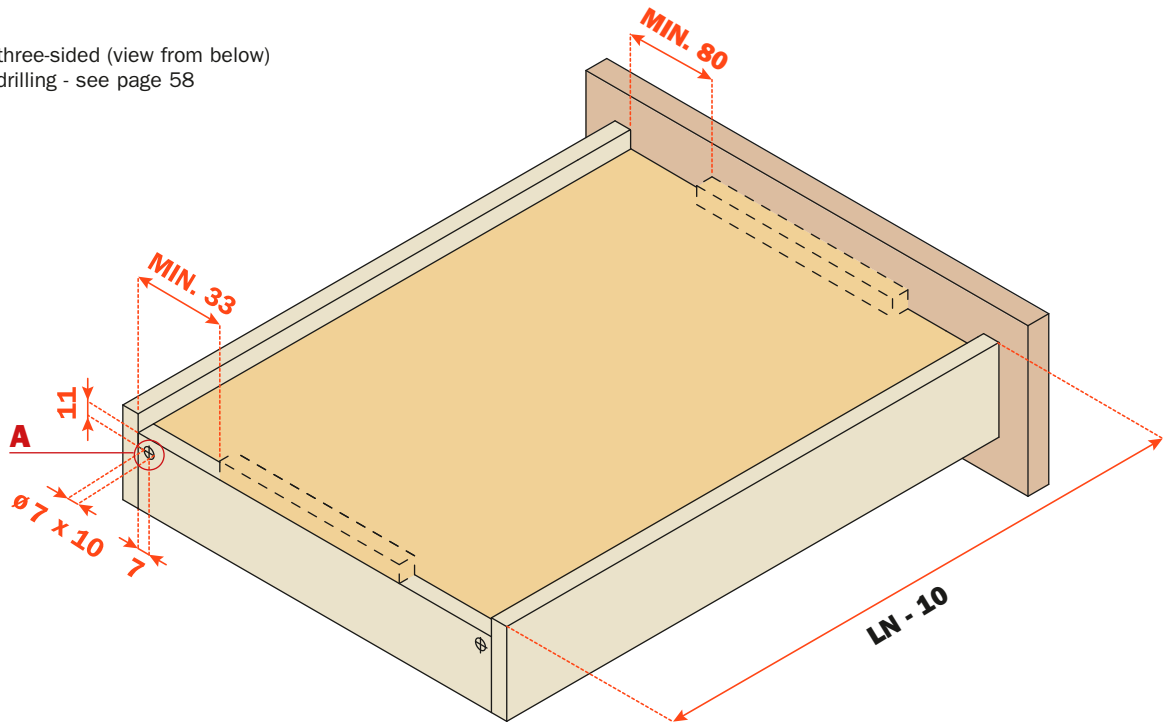


The drawer length is 10 mm shorter than the runner length

The internal width of the drawer is 41 mm less than the internal width of the cabinet

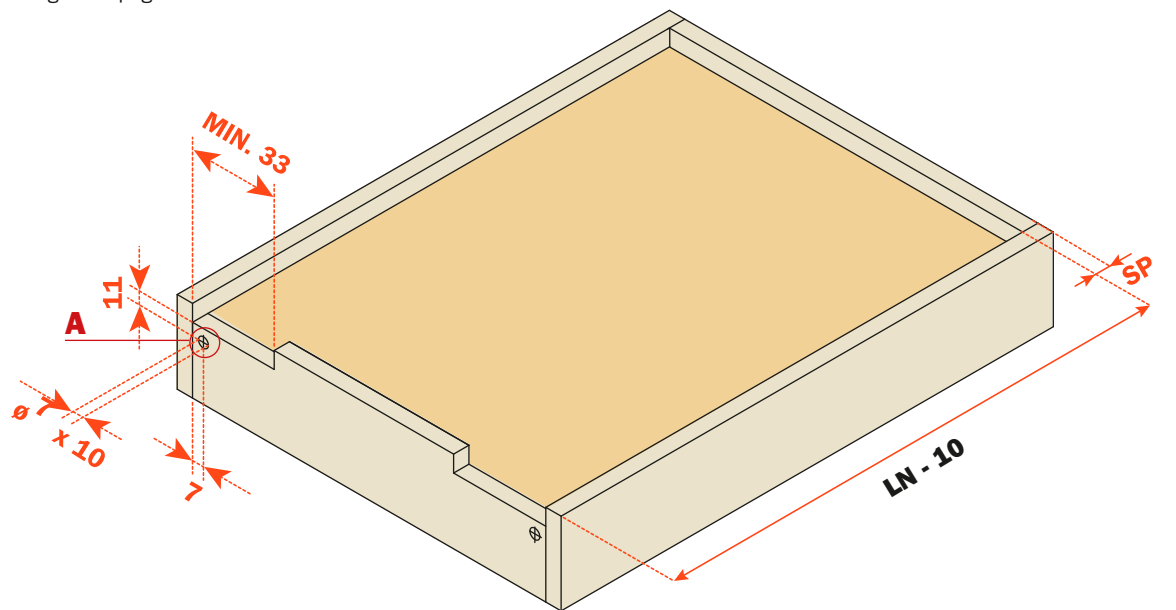
Drawer drilling

Drawer with frontal - three-sided (view from below)
Template for drawer drilling - see page 58

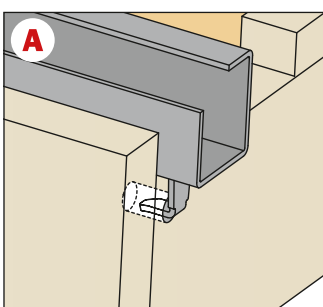


Drawer drilling

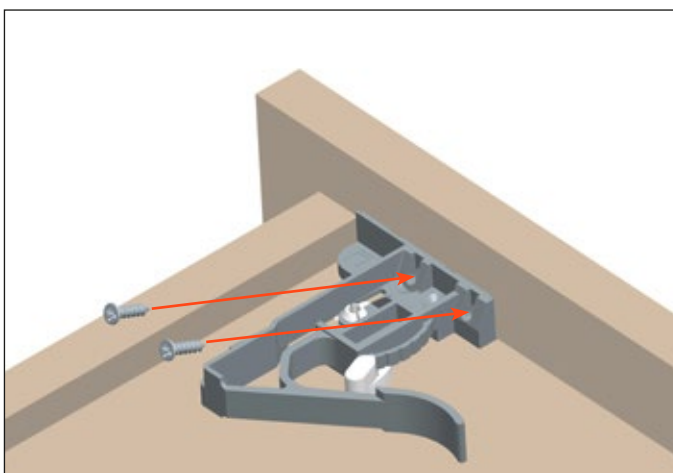
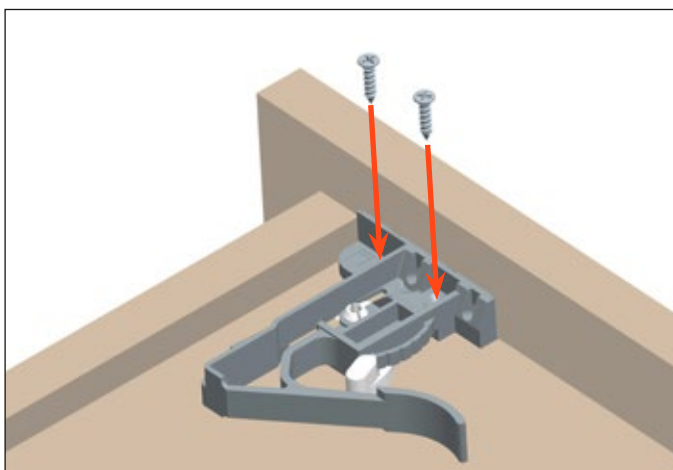
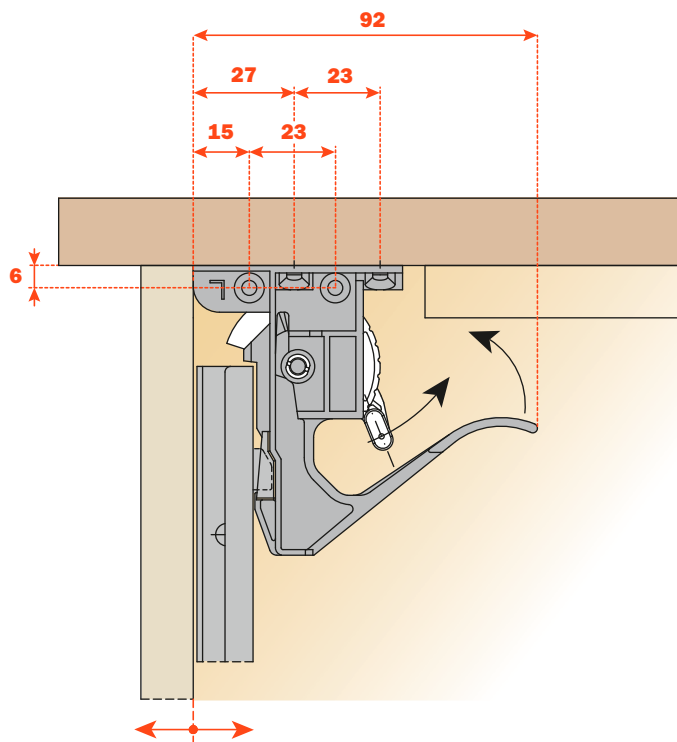
Internal drawer - four-sided (view from below)
Template for drawer drilling - see page 58



Rear hook

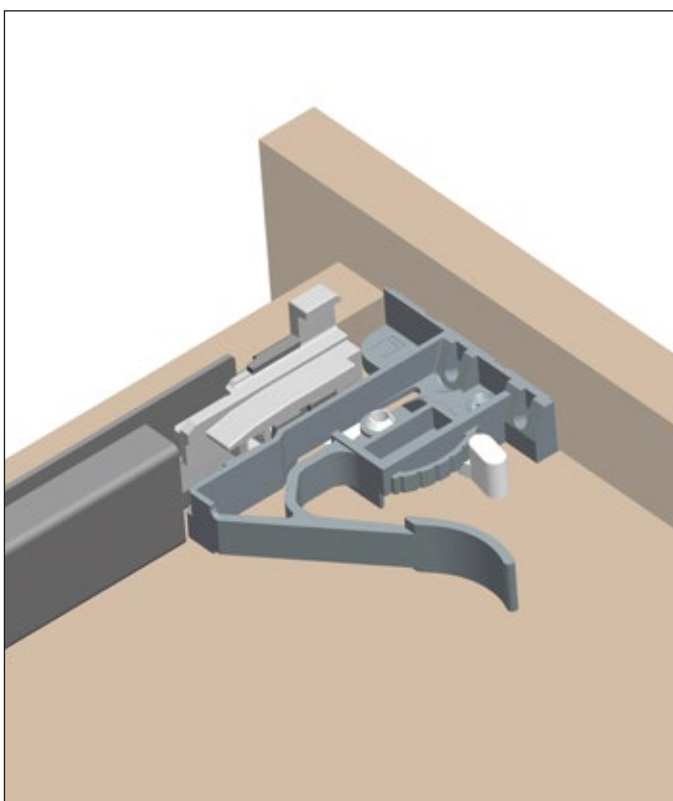
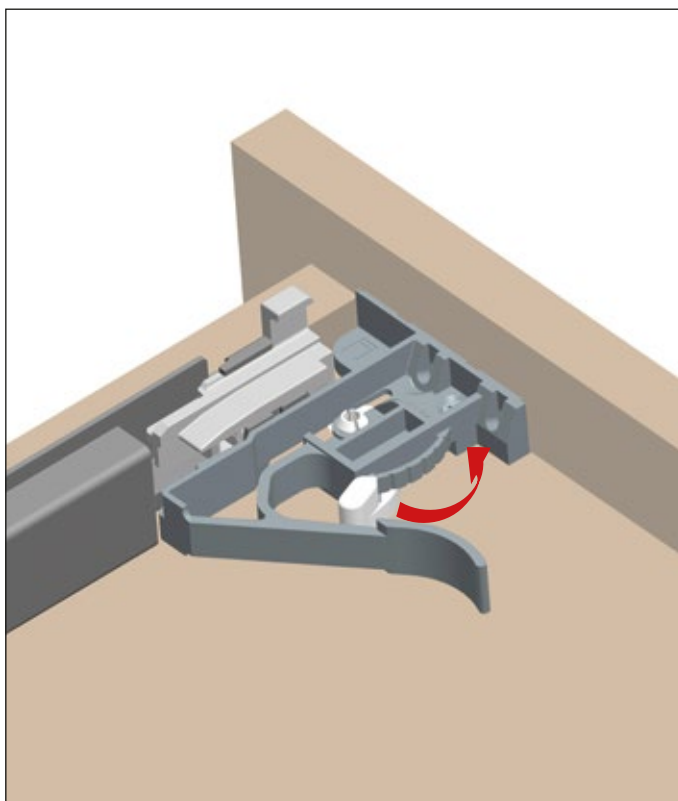


Fixing clip



Drawer adjustment

Drawer height adjustment (+ 2,5 mm) using the lever indicated
This operation is tool free



Futura Smove 6155 - Concealed runner

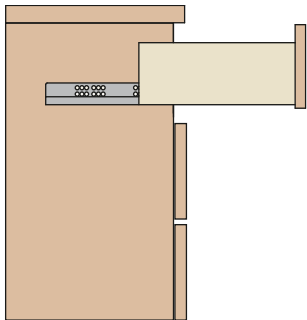


Part-extension runner fixed to the drawer by clip.

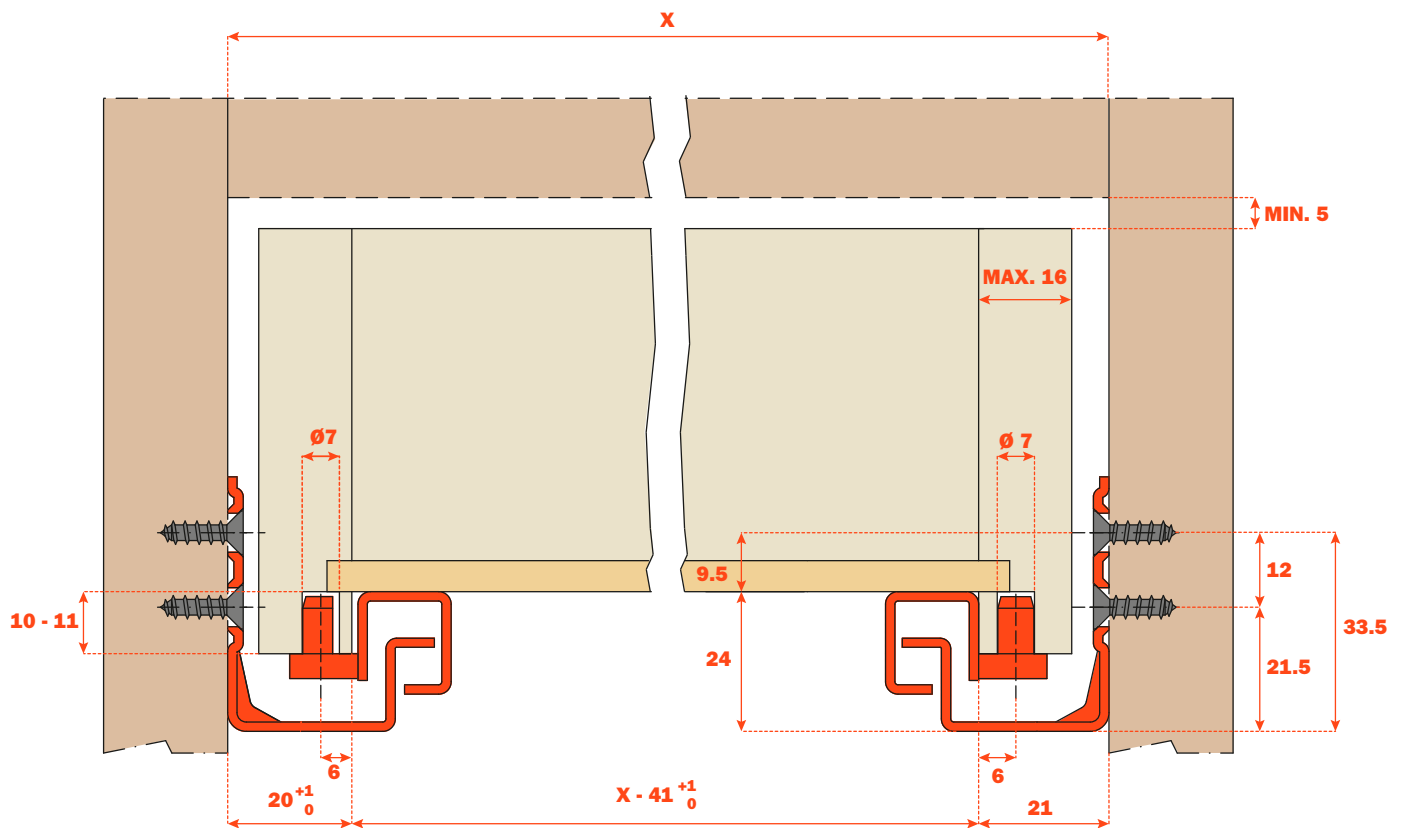
Smove: fully integrated in the runner, decelerates the closing action of the drawer.

Product features

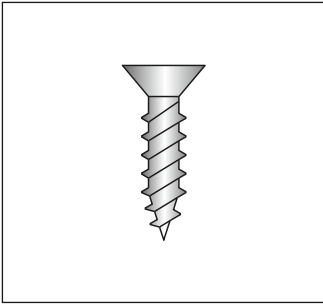
- Dynamic load capacity N 294 (Kg 30).
- Smove decelerated closing.
- Safety system that prevents the drawers from turning over.
- Drawer height adjustment +2,5 mm.
- The drawer is maintained parallel with the cabinet side during opening.
- Compatible with ART. 6555.
- Finish: bright zinc-plated.



Dimensions



Part number



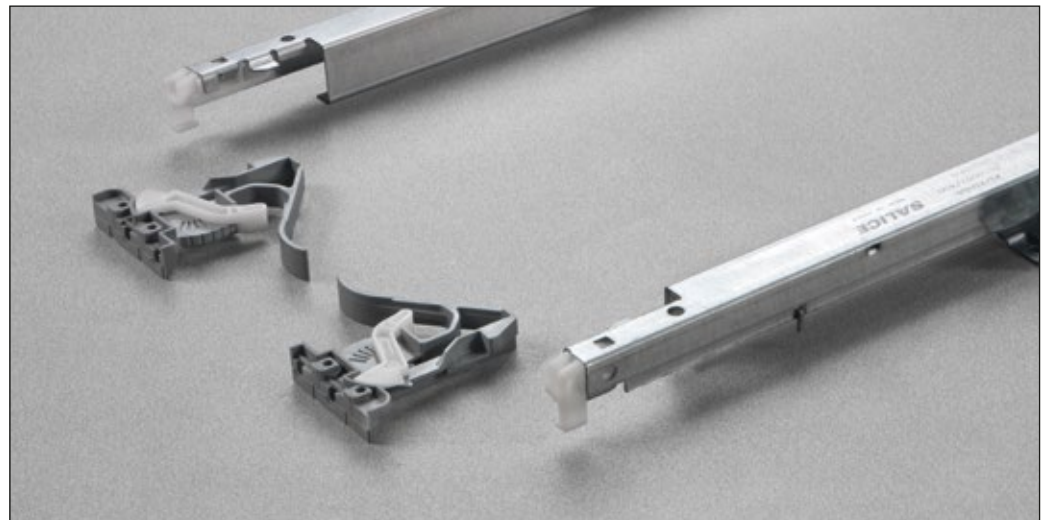
To be screw fixed
Screw TSP \varnothing 3,5 mm

| BASIC PART NUMBER | RUNNER LENGTH (LN) | = | MIN. DEPTH OF THE CABINET (PM) |
|----------------------|--------------------|---|--------------------------------|
| 1 0 615 50 250 2 0 0 | 250 | | 250 |
| 1 0 615 50 270 2 0 0 | 270 | | 270 |
| 1 0 615 50 300 2 0 0 | 300 | | 300 |
| 1 0 615 50 350 2 0 0 | 350 | | 350 |
| 1 0 615 50 400 2 0 0 | 400 | | 400 |
| 1 0 615 50 450 2 0 0 | 450 | | 450 |
| 1 0 615 50 470 2 0 0 | 470 | | 470 |
| 1 0 615 50 500 2 0 0 | 500 | | 500 |
| 1 0 615 50 550 2 0 0 | 550 | | 550 |
| 1 0 615 50 600 2 0 0 | 600 | | 600 |

Fixing the drawer onto the runners

Clip part number **1 0 710 00 010 1 0 0**

Detail of the clip with tool free integrated height adjustment.



Detail of the Smove system integrated into the runner which allows the decelerated closing of the drawers.

