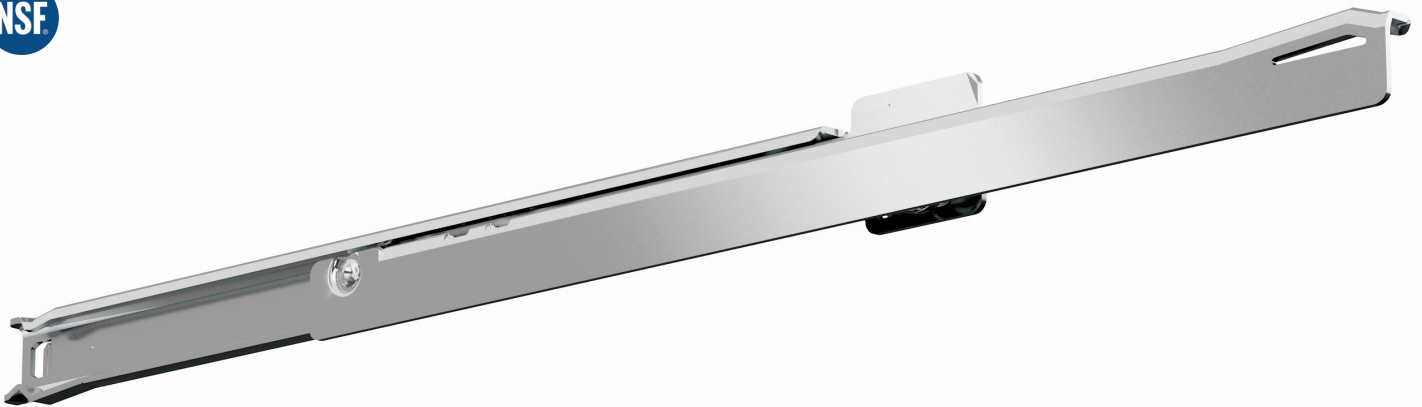


FR 1052 SCC-SC

SLIDE TYPE:	Regular-Extension Drawer Slide
MOUNTING:	Side Mount

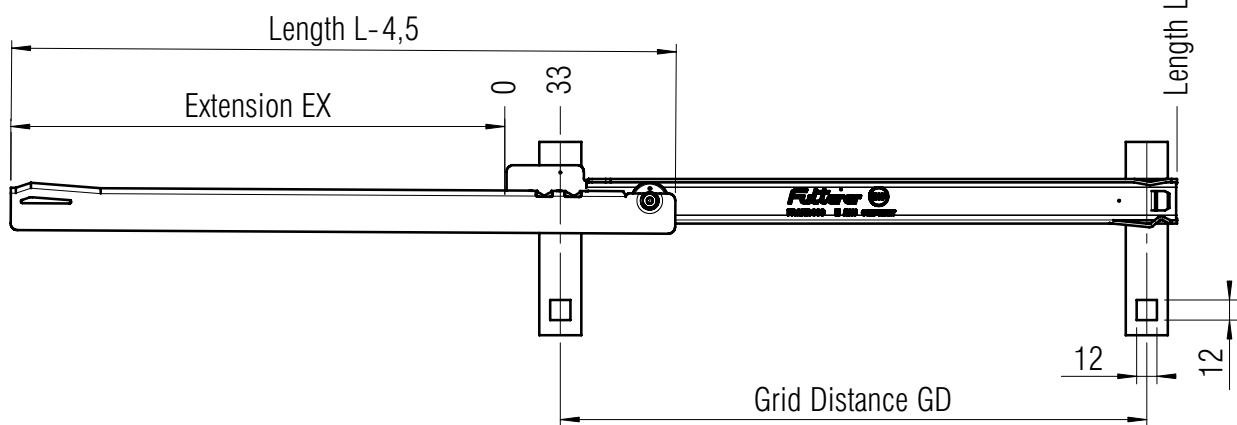
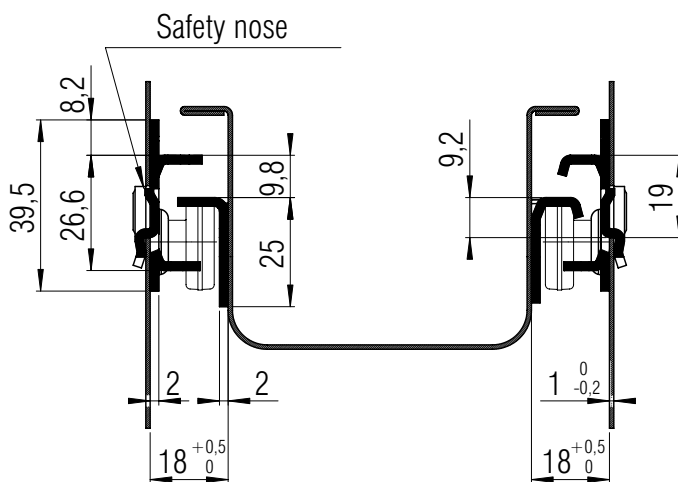
WIDTH:	18 mm
LOAD CAPACITY:	dynamic up to 50 kg



MATERIAL:	stainless steel 1.4509 (SCC)
------------------	------------------------------

FEATURES:	silent rollers
------------------	----------------

SPECIFICATIONS & NOTES:
<ul style="list-style-type: none"> ▶ cabinet profile with bayonet mounting tabs and safety nose ▶ drawer profile without screw holes ▶ lateral stability provided by specially shaped profiles ▶ single-sided captive profile (right) ▶ rear backstop ▶ self closing <hr/> <ul style="list-style-type: none"> ① compatible with full-extension drawer slide FR 785 SCC-SC ① tool-less quick assembly of cabinet profile ① standard grid rail (see drawing)



L mm	EX mm	GD mm	Weight per pair (kg)	Order No.
400	294	349	0,97	▶ 5302
450	344	399	1,09	*
500	394	449	1,21	▶ 5304
550	424	499	1,33	*
600	474	549	1,45	▶ 5306
650	524	599	1,57	*
700	574	649	1,69	*
750	624	699	1,82	*

Packing Unit: 10 sets per box

▶ prompt delivery * on request