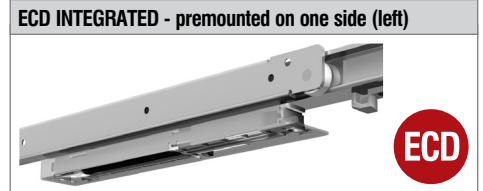
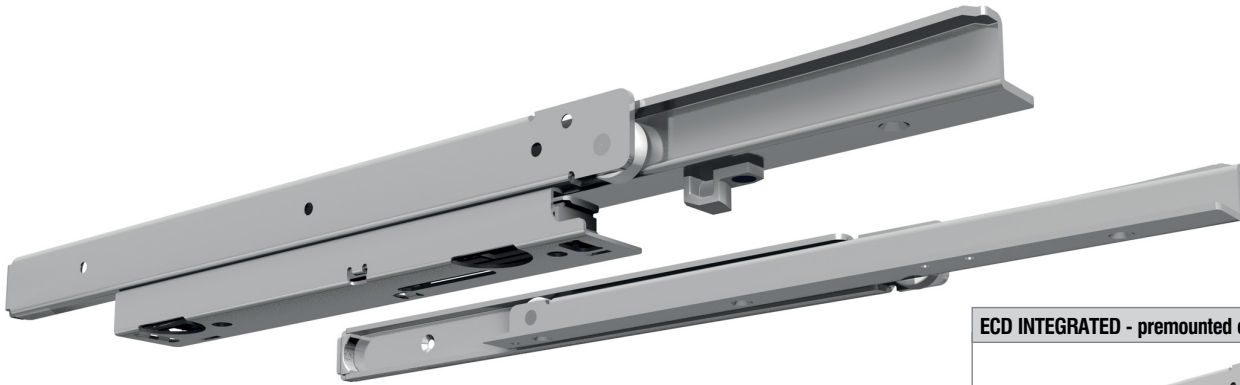


# FR 206 ECD

<b>SLIDE TYPE:</b>	Regular-Extension Drawer Slide
<b>MOUNTING:</b>	Bottom Mount

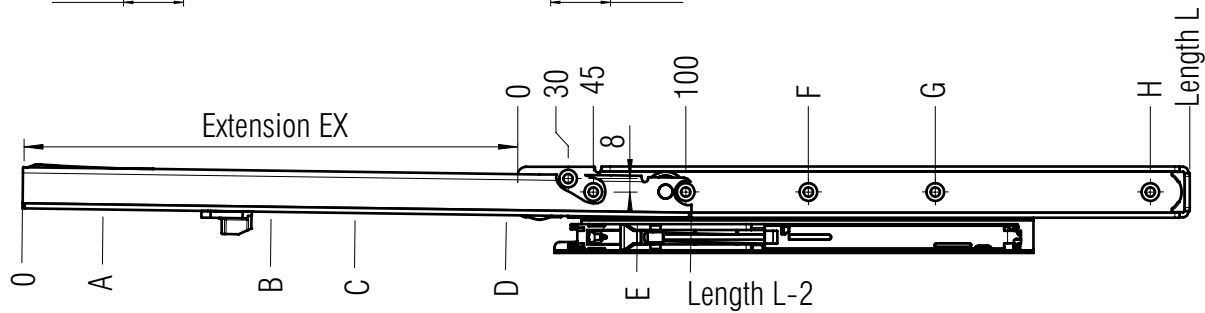
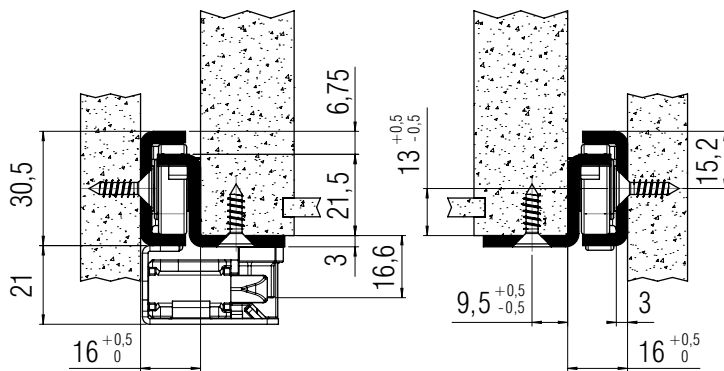
<b>WIDTH:</b>	16 mm
<b>LOAD CAPACITY:</b>	dynamic up to 100 kg



<b>MATERIAL:</b>	steel, galvanized or white powder coated
------------------	--

<b>FEATURES:</b>	steel ball bearings (galvanized) or solid delrin* rollers (coated)
------------------	--

<b>SPECIFICATIONS:</b>
<ul style="list-style-type: none"> <li>▶ cabinet and drawer profile with screw holes</li> <li>▶ stay-closed feature holds the drawer in place when closed</li> <li>▶ dual detent in the drawer profile holds the drawer in place when extended</li> <li>▶ soft rubber back stop</li> <li>▶ <b>ECD Easy Close Device (ECD)</b> integrated</li> </ul>
<ul style="list-style-type: none"> <li>① galvanized - steel ball bearings</li> <li>white powder coated - solid delrin* rollers</li> </ul>



screw holes for 4,5 mm spax screws

L mm	EX mm	A mm	B mm	C mm	D mm	E mm	F mm	G mm	H mm	Weight per pair (kg)	Order No. galvanized	Order No. white
400	294	46	238	366			333			2,30	▶ 4303	▶ 4333
450	344	96	288	416			365			2,53	▶ 4304	▶ 4334
500	394	50	146	338	466		365	461		2,76	▶ 4305	▶ 4335
550	444	68	196	388	516		365	493		2,99	▶ 4306	▶ 4336
600	494	54	246	438	566		365	557		3,23	▶ 4307	▶ 4337
650	544	40	296	488	616		365	621		3,47	▶ 4308	▶ 4338
700	564	58	186	346	538	666	365	525	653	3,72	▶ 4309	▶ 4339
750	614	76	204	394	588	716	365	557	685	3,97	*	*
800	654	62	190	446	638	766	365	621	749	4,22	▶ 4311	▶ 4341
850	704	80	240	496	688	816	365	621	781	4,46	*	*
900	744	66	290	546	738	866	365	621	845	4,71	▶ 4313	▶ 4343
950	794	52	340	596	788	916	365	621	909	4,94	*	*
1000	834	70	390	646	838	966	365	621	941	5,16	▶ 4315	▶ 4345

Packing Unit: 2 sets per box

▶ prompt delivery \* on request