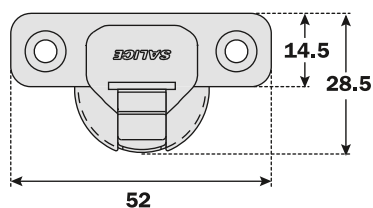


Mini hinges - Series 600

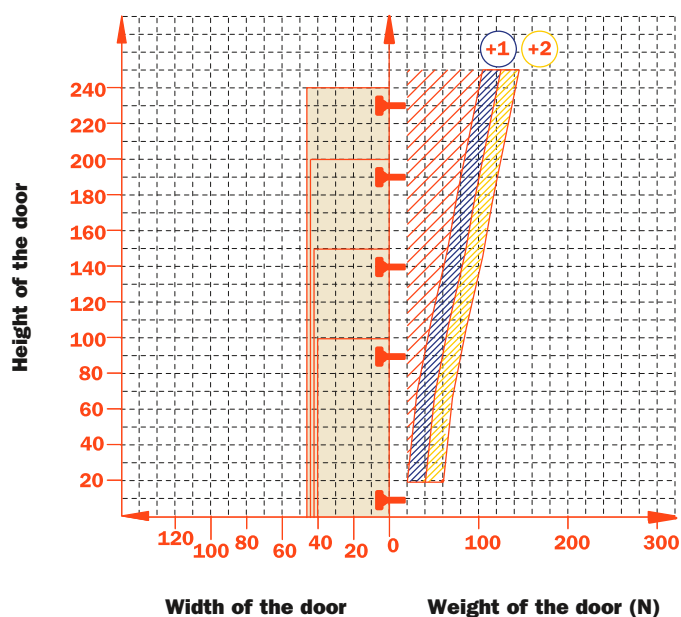


**Compact, elegant, very strong mini hinge.
Bright nickel plated steel cup and arm.
Dimensions of the ø 26 mm cup.**



Constant "L" value of 0.7 mm (it does not change during side adjustment).

Approx. number of hinges required according to the door dimension and weight.



Adjustments

Side adjustment +5 mm. It is possible to recover the gap behind the door (the initial "L" value of 0.7 mm) simply by using the assembly stop located on the underside of the hinge.
Height adjustment ± 2 mm.
Depth adjustment with Series 200 mounting plates +2.5 mm.

Mounting plates

Symmetrical and asymmetrical bright nickel plated steel or die-cast Series 200 mounting plates.
Positioning with pre-determined stop on Series 200 traditional mounting plates.
NOT COMPATIBLE with Series 200 mounting plates with negative height.

N.B. : Use POZIDRIVE No. 2 screwdrivers for all screws.

<p>Wood screw</p>	<p>A</p>	
<p>Dowel</p>	<p>B</p>	<p>R</p>

Use this table to identify the available drillings and fixings.

Fill the third position of the hinge code number with the letter or the number corresponding to your choice. I.e.: C6_7C99.

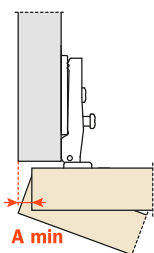
↑
Fill this position with the chosen letter or number.



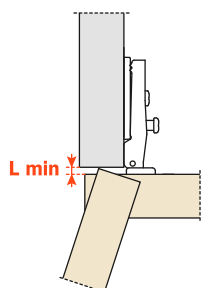
Technical information

11.5 mm deep metal cup.
 26 mm cup diameter.
 94° opening.
 Possible drilling distance on the door (K): from 3 to 8 mm.
 Compatible with all traditional Series 200 mounting plates.
NOT COMPATIBLE with Domi snap-on mounting plates.

Space needed to open the door



T=	16	17	18	19	20	21	22	23
K=3	A= 0.4	0.7	0.9	1.3	2.0	2.9	3.8	4.7
K=4	A= 0.4	0.6	0.9	1.1	1.6	2.4	3.3	4.2
K=5	A= 0.4	0.6	0.8	1.1	1.4	2.0	2.8	3.6
K=6	A= 0.4	0.6	0.8	1.0	1.2	1.8	2.4	3.2
K=7	A= 0.4	0.6	0.8	0.9	1.2	1.5	2.2	2.8
K=8	A= 0.4	0.6	0.8	0.9	1.2	1.5	1.9	2.6

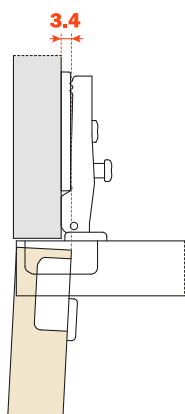


K=	3	4	5	6	7	8
L=	0.0	0.0	0.0	0.7	1.7	2.6

The above values are calculated on the assumption that the doors have square edges. They are reduced if the doors have radiussed edges.

Projection of the door

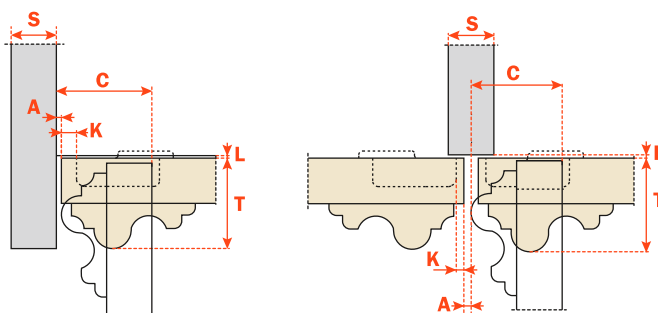
Projection of the door from the cabinet side at the max. opening. The figures are based on a straight arm hinge, H=0 mm thickness of mounting plate and K value = 3 mm.



"C" value

With this formula you can obtain the max. thickness of the moulded door that can be opened without touching adjacent carcass sides, doors or walls, whilst bearing in mind the above L-K-T values.

$$C = 16.5 + K + A$$



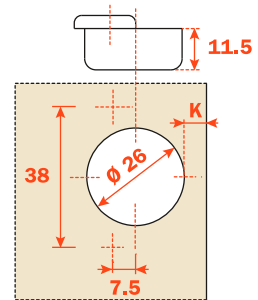
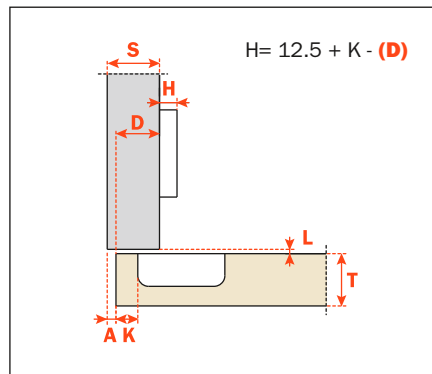
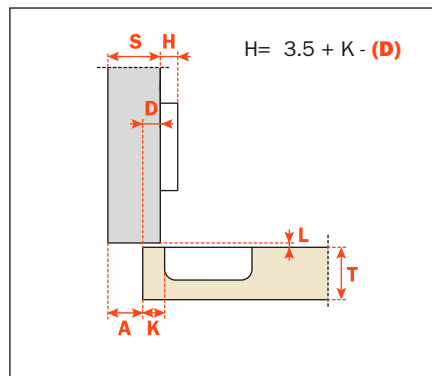
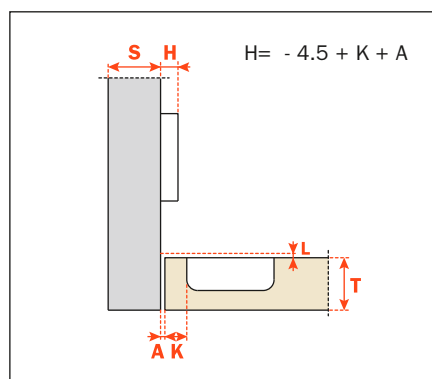
Packing

Boxes 600 pcs.
Pallets 14.400 pcs.

CA sprung hinge

Use these formulas to determine the type of hinge arm, the drilling distance "K" and the height of the mounting plate "H" which is necessary to solve each application problem.

Use the tables "Drillings and fixings" at page 159 to complete the code number of the desired hinge.

Arm **0****CA - C6_7C99**Arm **9****CA - C6_7L99**Arm **17****CA - C6_7S99**



Technical information

For wooden doors with positive angled assembly.

11,5 mm deep metal cup.

94° opening.

Possible drilling distance on the door (K): from 3 to 8 mm.

Compatible with all traditional Series 200 mounting plates.

NOT COMPATIBLE with Domi snap-on mounting plates.

Packing

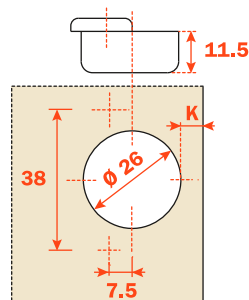
Boxes 300 pcs.

Pallets 7.200 pcs.

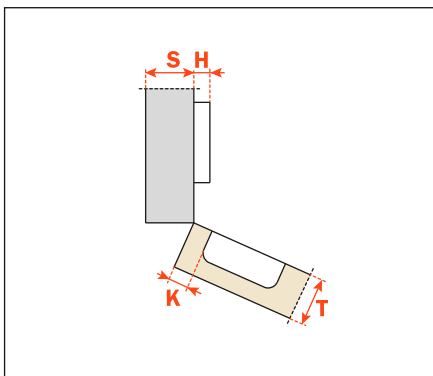
CA sprung hinge

The solution of assembly problems where doors are mounted at a positive or negative angle requires the verification of drilling distances by a practical trial. Please do not hesitate to consult our technical support department for assistance.

Use the tables "Drillings and fixings" at page 159 to complete the code number of the desired hinge.

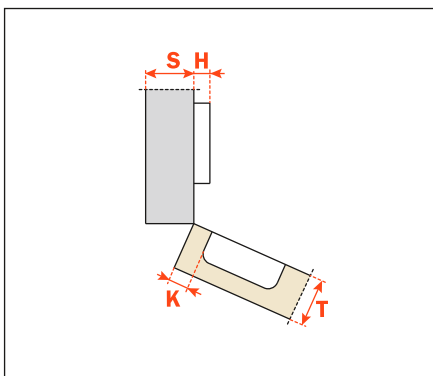


Arm 24°



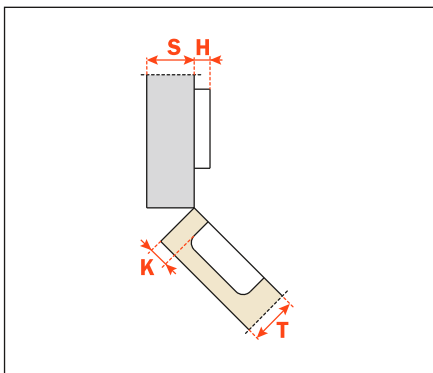
CA - C6_7U99

Arm 30°



CA - C6_7E99

Arm 45°



CA - C6_7M99



Technical information

Crampon hinges.

For smaller spaces with 15x32 mm drilling.

11.5 mm deep metal cup.

94° opening.

Possible drilling distance on the door (K): from 3 to 8 mm.

Compatible with all traditional Series 200 mounting plates, 28x32 mm drilling.

NOT COMPATIBLE with Domi snap-on mounting plates.

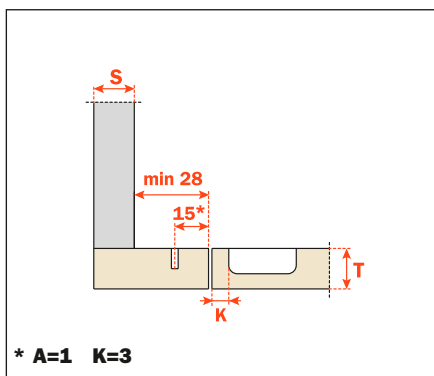
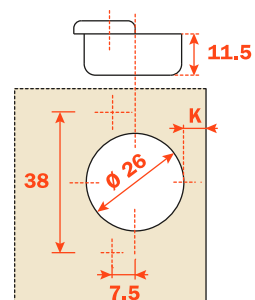
Packing

Boxes 300 pcs.

Pallets 7.200 pcs.

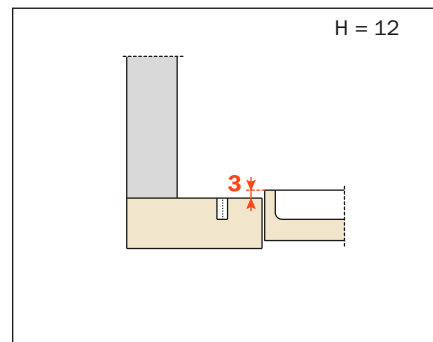
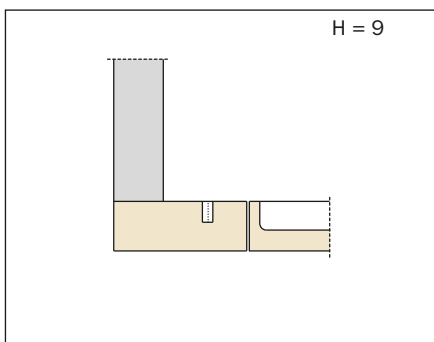
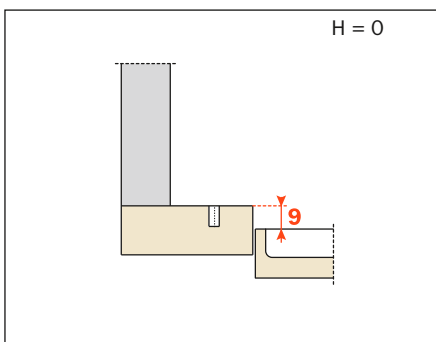
Use the tables "Drillings and fixings" at page 159 to complete the code number of the desired hinge.

CA sprung hinge

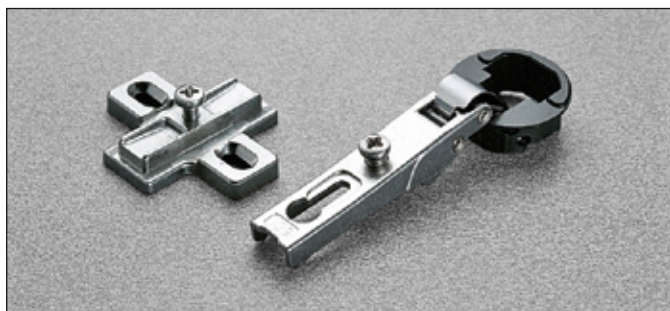


CA - C6_7N99

Heights of mounting plates for every assembly.



Mini hinges - Series 600 - 94° opening



Technical information

Hinges for glass doors.

Hole diameter 26 mm.

94° opening.

For use with glass from 4 mm to 6 mm thickness.

Possible drilling distance on the door (K): from 5.5 to 6.5 mm.

Compatible with all traditional Series 200 mounting plates.

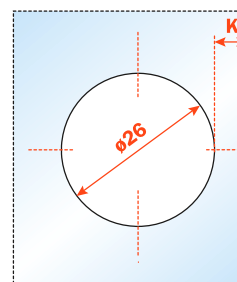
NOT COMPATIBLE with Domi snap-on mounting plates.

Packing

Boxes 300 pcs.

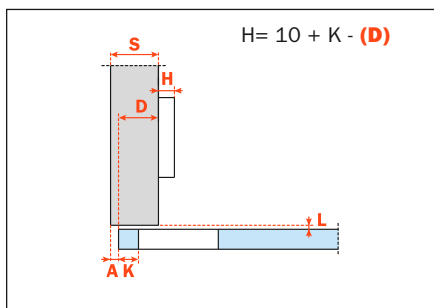
Pallets 7.200 pcs.

Use these formulas to determine the type of hinge arm, the drilling distance "K" and the height of the mounting plate "H" which is necessary to solve each application problem.



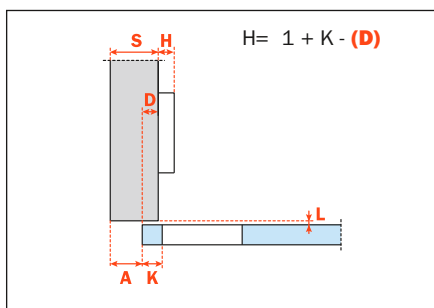
CA sprung hinge

Arm 0



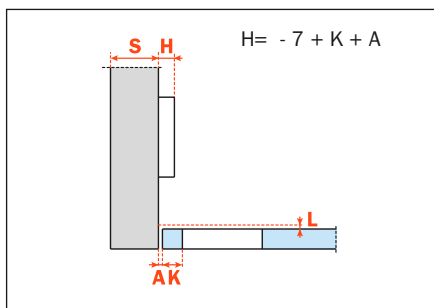
CA - C6C7C39

Arm 9



CA - C6C7L39

Arm 17



CA - C6C7S39



Technical information

Hinges for doors with positive angled assembly and crampon hinges.

Hole diameter 26 mm.
 94° opening.
 For use with glass from 4 mm to 6 mm thickness.
 Possible drilling distance on the door (K): from 5.5 to 6.5 mm.
 Compatible with all traditional Series 200 mounting plates.
NOT COMPATIBLE with Domi snap-on mounting plates.

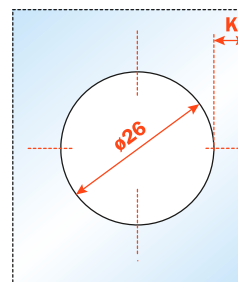
Packing

Boxes 300 pcs.
 Pallets 7.200 pcs.

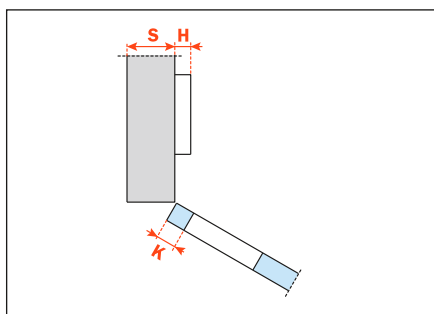
The solution of assembly problems where doors are mounted at a positive or negative angle requires the verification of drilling distances by a practical trial. Please do not hesitate to consult our technical support department for assistance.

CA sprung hinge

Applications with doors set at any angle between -7.5° to +70° are possible by combining the appropriate hinge and mounting plate.

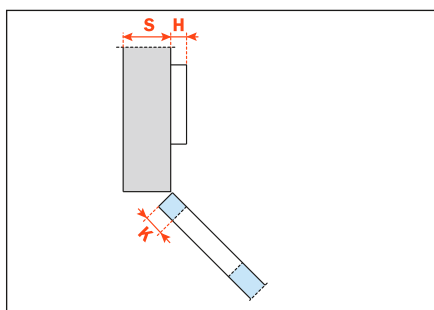


Arm 30°



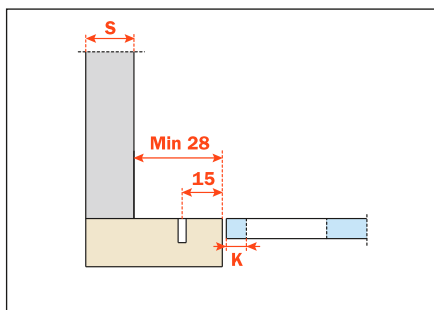
CA - C6C7E39

Arm 45°



CA - C6C7M39

Crampon



Crampon hinges. To be use only with Series 200 mounting plates for traditional assembly and drilling 28x32 mm.

CA - C6C7N39

Heights of mounting plates for every assembly.

