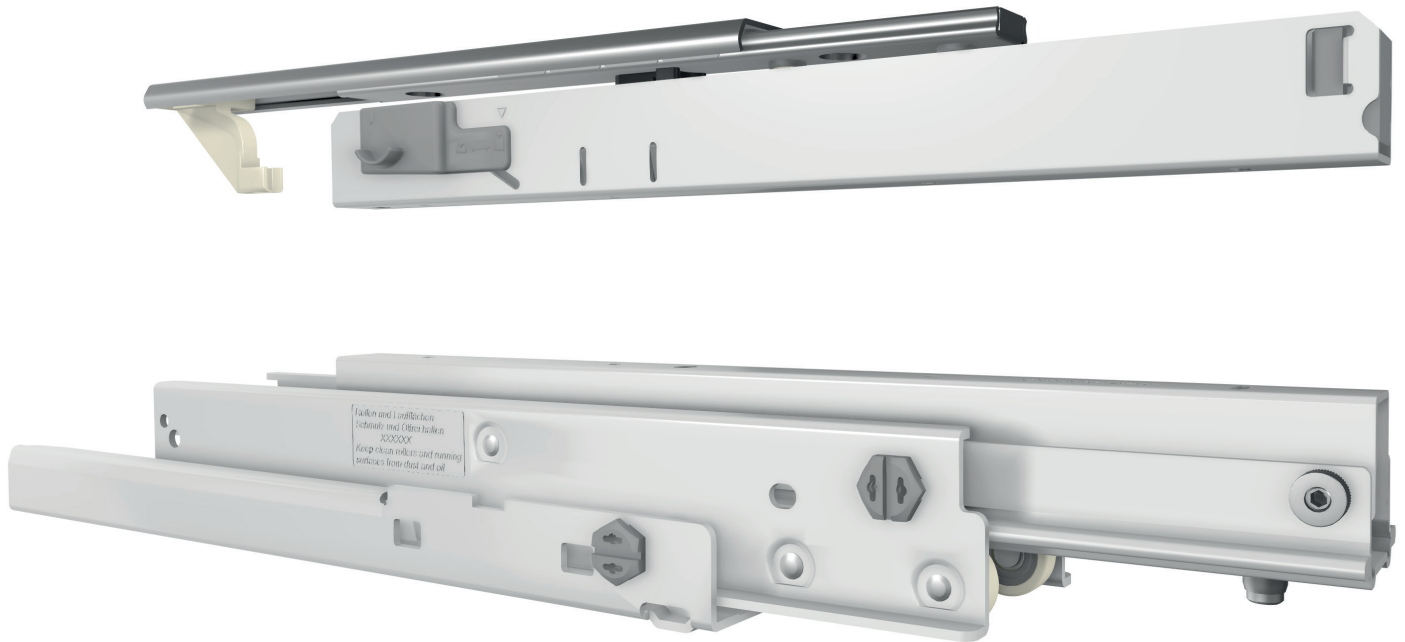


FR 771

TYPE:	Progressive action full-extension pantry pull out slide with top slide
MOUNTING:	Bottom Mount

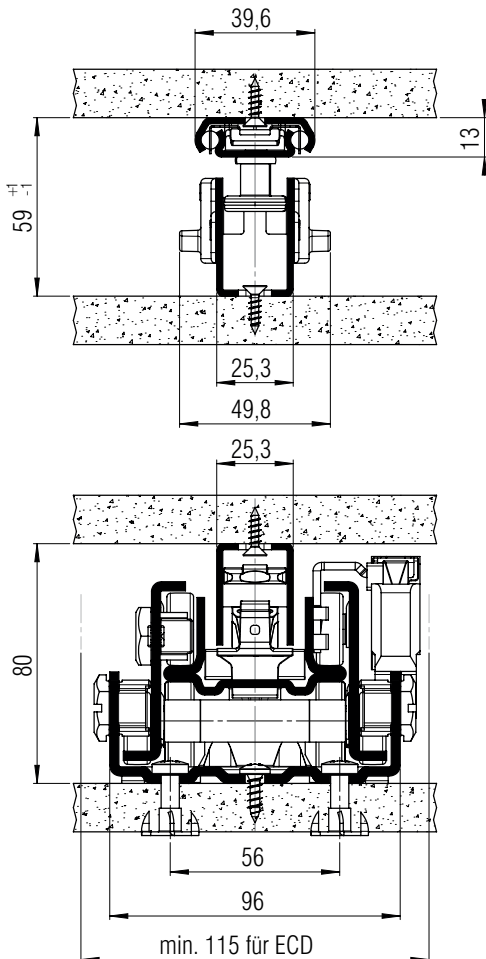
WIDTH:	min. 108 mm min. 115 mm (ECD)
LOAD:	dynamic up to 120 kg



MATERIAL:	steel, white powder coated
------------------	----------------------------

FEATURES:	solid delrin* rollers, delrin*-encased steel ball bearings
------------------	--

SPECIFICATIONS:
<ul style="list-style-type: none"> ▶ deflection in extended and loaded position maximum 5mm ▶ quick and easy installation through unique system ▶ optimum and quiet movement, even under heaviest loads ▶ integrated lateral and height adjustment ▶ top slide for absolute lateral stability ▶ simple assembly of the pullout unit via countersunk fixing holes for M6 countersunk screws
<p>ⓘ Do not lubricate the slide anywhere!</p> <p>🆕 NEW - Easy Close System FR 771 ECD option</p>



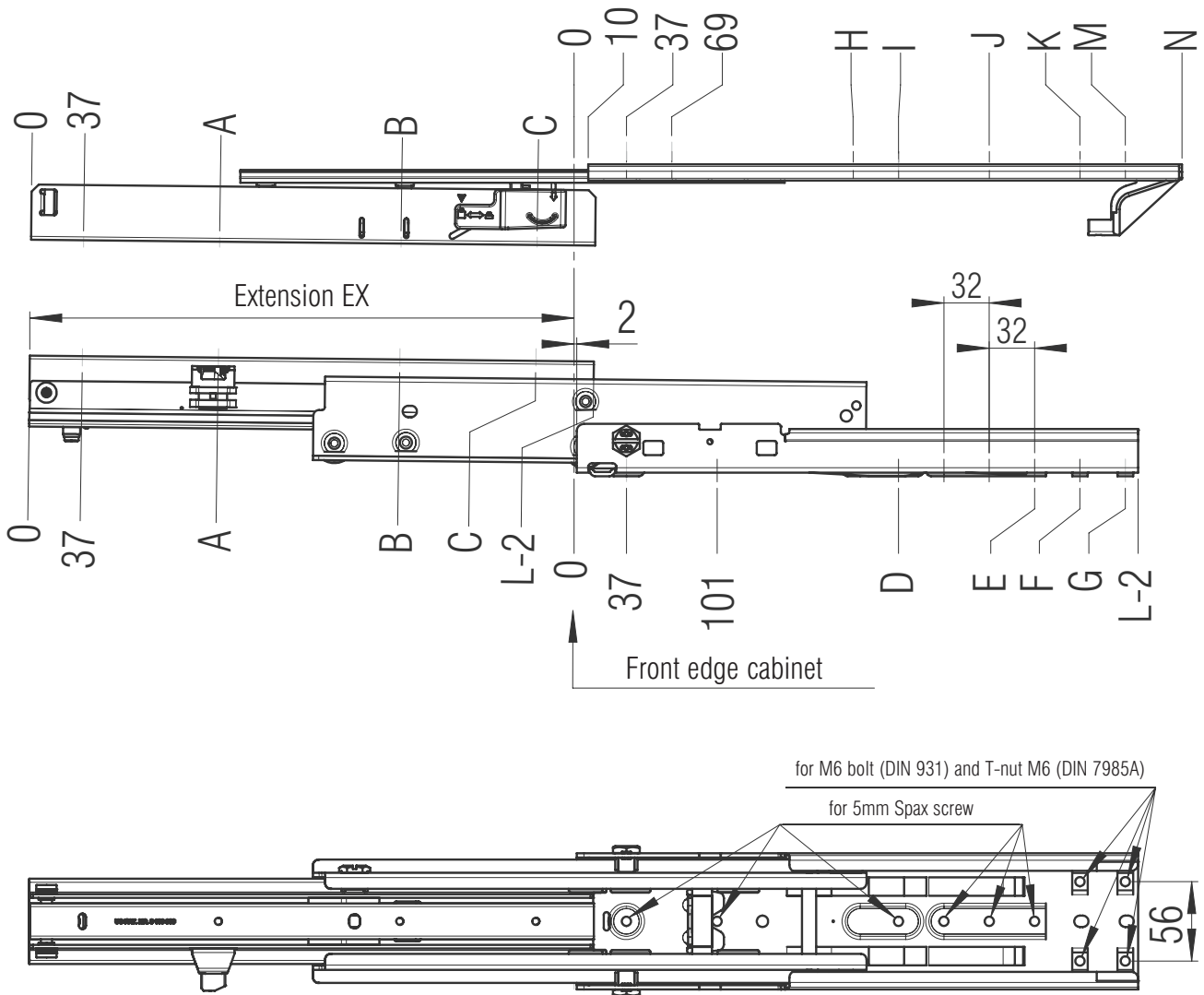
L mm	Weight per set (kg)	Order No.
400	5,9	▶ 7751
430	*	*
450	6,5	▶ 7752
480	*	*
500	7,4	▶ 7753
550	8,1	▶ 7754
600	8,7	▶ 7755
650	9,3	▶ 7756
700	10,0	▶ 7757
750	10,7	▶ 7758

Packing Unit:	1 set per box	▶ prompt delivery * on request
---------------	---------------	--------------------------------

FR 771

TYPE:	Progressive action full-extension pantry pull out slide with top slide
MOUNTING:	Bottom Mount

WIDTH:	min. 108 mm min. 110 mm (ECD)
LOAD:	dynamic up to 120 kg



unmarked holes for 4mm (US #6) countersunk screws

L mm	EX mm	A mm	B mm	C mm	D mm	E mm	F mm	G mm	H mm	I mm	J mm	K mm	M mm	N mm
400	384	133	261	357	229	357	389		133	165		261	293	333
430	414	133	261	389	229	357	389		133	165		261	293	333
450	434	133	261	421	229	389	421		133	165		261	293	333
480	464	165	325	453	261	421	453		197	229	293	357	389	429
500	484	165	325	453	261	421	453	485	197	229	293	357	389	429
550	534	197	357	517	293	485	517		197	229	293	357	389	429
600	584	197	389	549	325	517	549	581	197	229	293	357	389	429
650	634	229	421	613	357	549	581	613	197	229	293	357	389	429
700	684	261	485	645	357	613	645	677	197	229	293	357	389	429
750	734	261	485	709	389	645	677	709	197	229	293	357	389	429

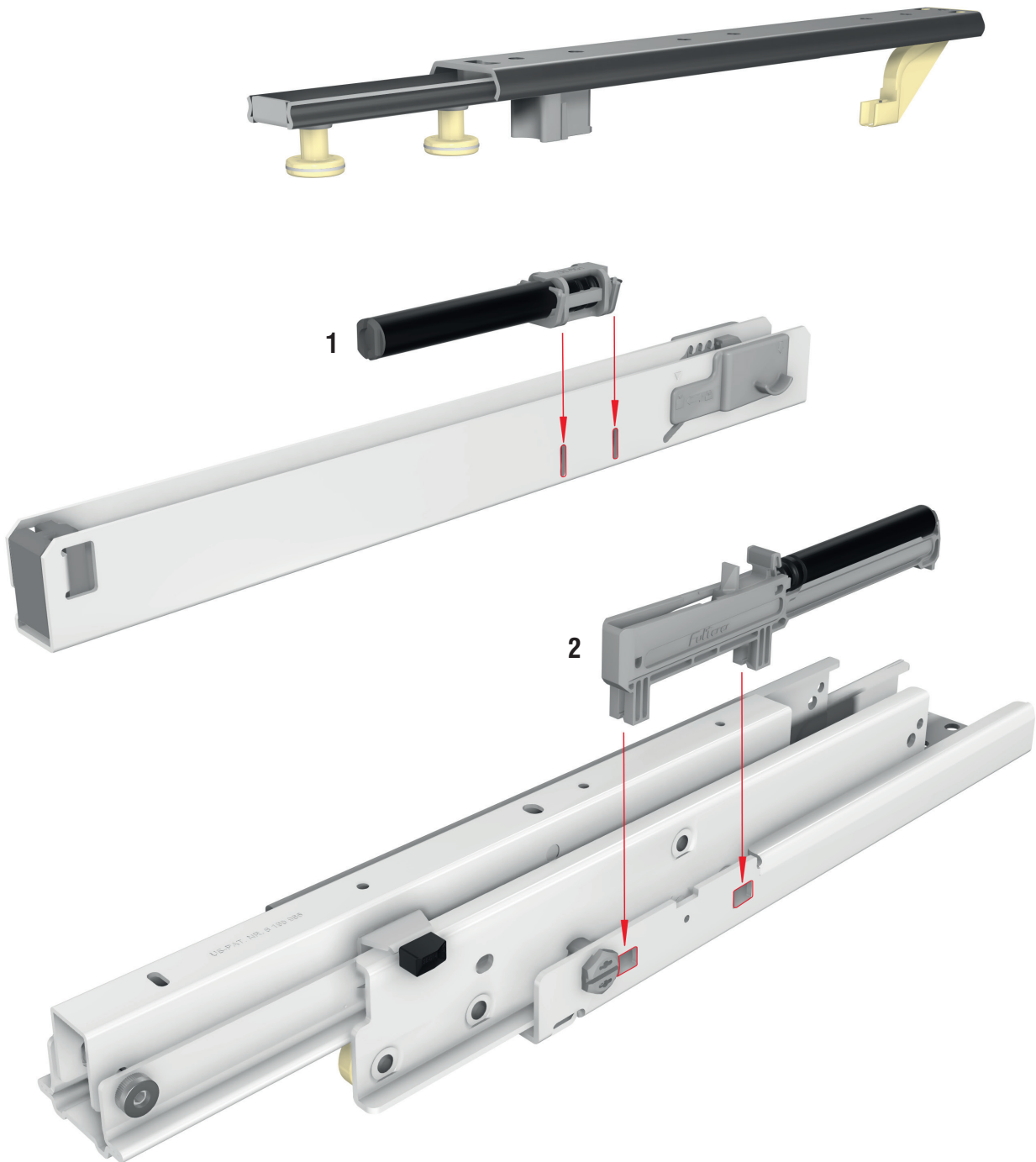
FR 771 ECD

**EASY-CLOSE
SYSTEM**

Sliding absorption system
Upgrade set for pantry pull out
slide FR 771

MATERIAL:

Plastic, steel



DELIVERY SPECIFICATIONS:

top slide:

- ▶ 1. 1 x Dampening Cylinder, snap-on

bottom slide:

- ▶ 2. 1 x Dampening Cylinder, snap-on

- ▶ assembly instructions

ASSEMBLY:

▶ top slide:

assemble 1 as illustrated

▶ bottom slide:

assemble 2 as illustrated

FUNCTION:

- ▶ the easy close automatic/self-closing and slam-resistant function is not compromised by varying load conditions
- ▶ During the last 75 mm of the closing motion the pull-out is decelerated and then softly pulled closed all the way.
- ▶ no pinching of fingers
- ▶ no contents falling over, etc.

Designation

FR 771 ECD – Upgrade set for pantry pull out unit FR 771

Packing Unit: 1 set per polybag

Order No.

▶ 7759

▶ prompt delivery

Fulterer