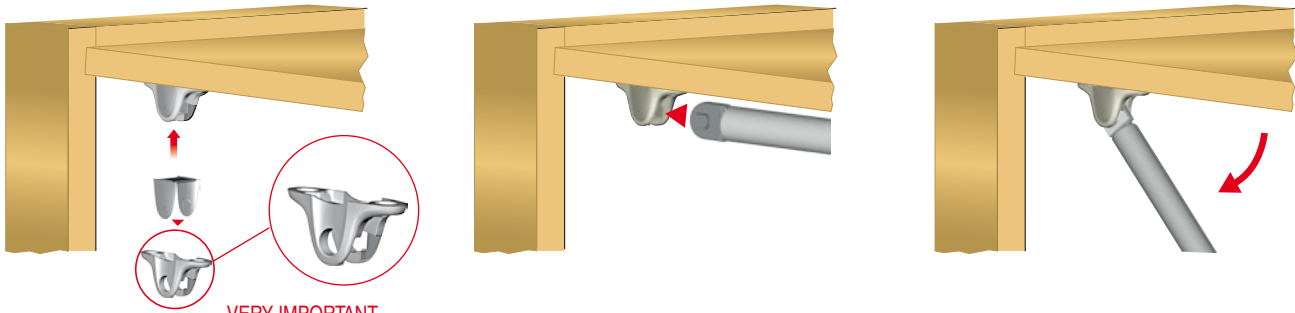
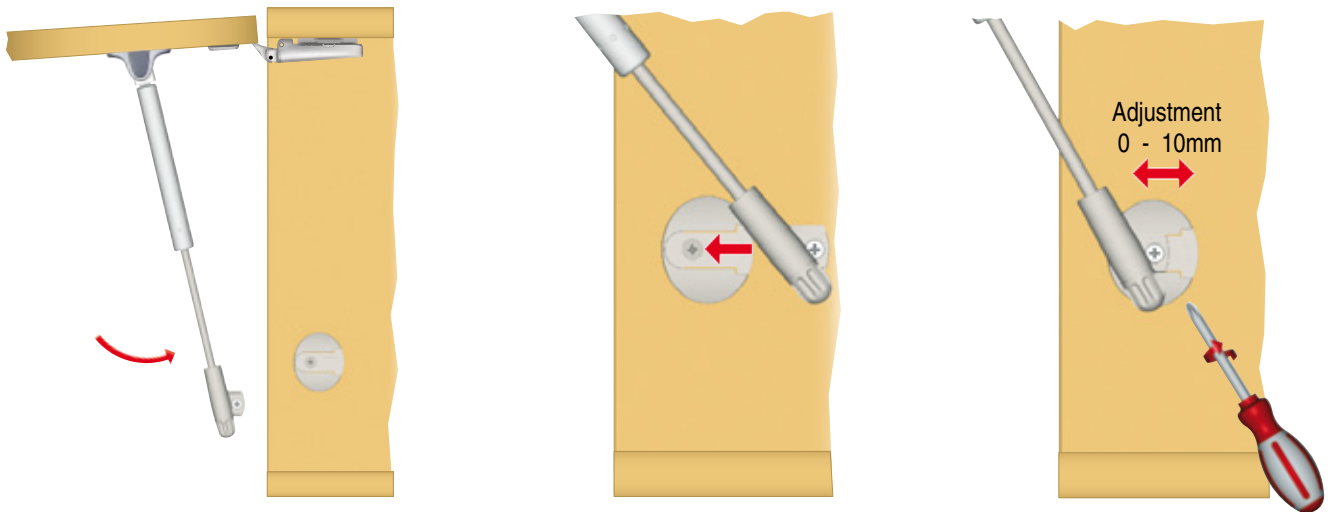


KRABY INSTALLATION ON THE FLAP DOOR



VERY IMPORTANT
The door bracket has to be placed in vertical position with the slot facing forwards.

KRABY INSTALLATION ON THE INSIDE OF THE CABINET



VERY IMPORTANT:

The side bracket has to be placed with the slot in a horizontal position and the open end facing the wall. The opening and closing of the door can be changed by adjusting the position of the piston base plate within the slot:

- **Forwards adjustment** = the door opens automatically later (automatic stay only) and closes automatically in advance (both stays automatic and friction).
- **Backwards adjustment** = the door opens automatically in advance (automatic stay only) and closes automatically later (both stays automatic and friction).

ADJUSTMENT OF THE DOOR OPENING ANGLE

L (mm)	α°
164	103° max 83° min
244	94° max 83° min
355	90° max 83° min
480	88° max 83° min

The door opening angle refer to carcase which use **standard sprung hinges** and mounting plates 0mm.

