



## REKORD 12

REKORD 12 is the concealed leveller for sides 18mm thick (minimum) suitable to align heavy duty wardrobes, bookcases and modular furniture, especially conceived for flat pack furniture.

It is placed to the bottom edge of the side carcass and it is then adjustable through the Ø 8 mm access hole drilled to the inside carcass, by using a S4mm allen wrench.

The engineering plastic glide is independent in order to make the adjustment easier and to prevent the scratching of the floor too.

It is available in four versions: hole centres 52, 70, 96, 120mm.

The weight transmission rapport 1:1,5 of the gears, reduces the lifting effort.

Zinc alloy, engineering plastic and steel.

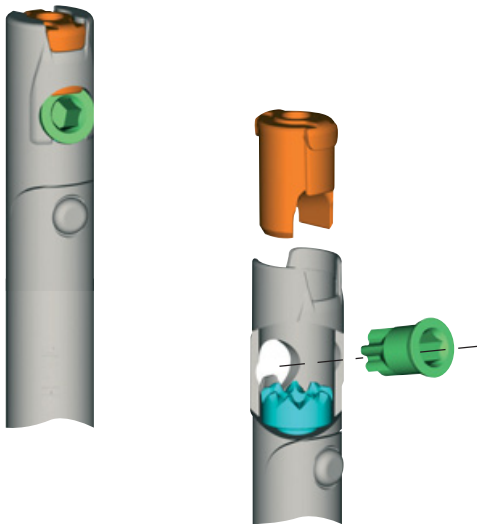
Loading capacity: 150 Kg each.

Very light and effortless adjustment.  
12mm adjustment.

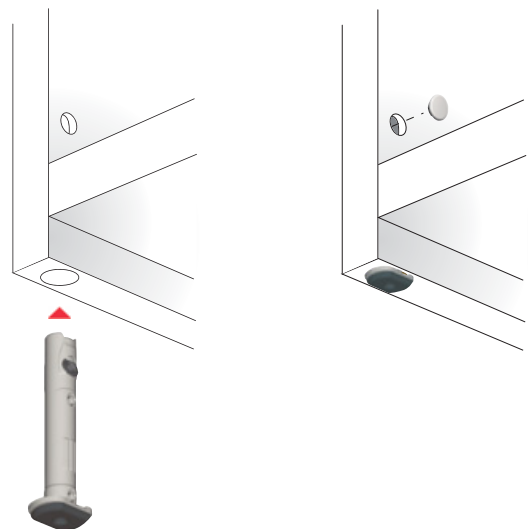
150 Kg per piece



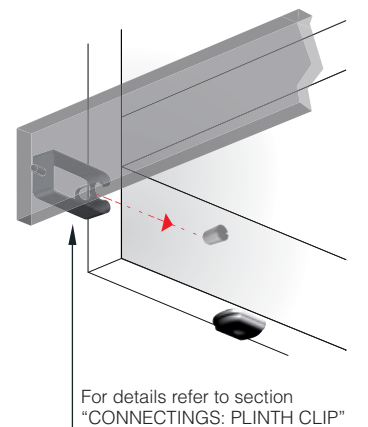
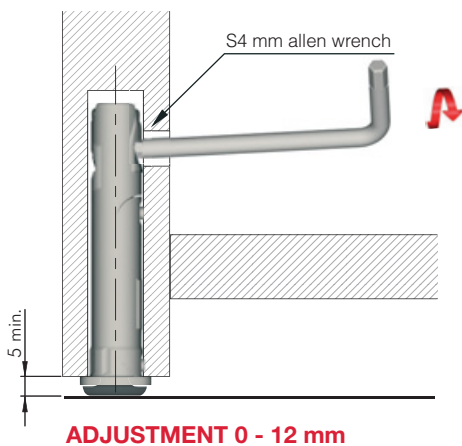
Tested in accordance with CATAS procedures



### INSTALLATION

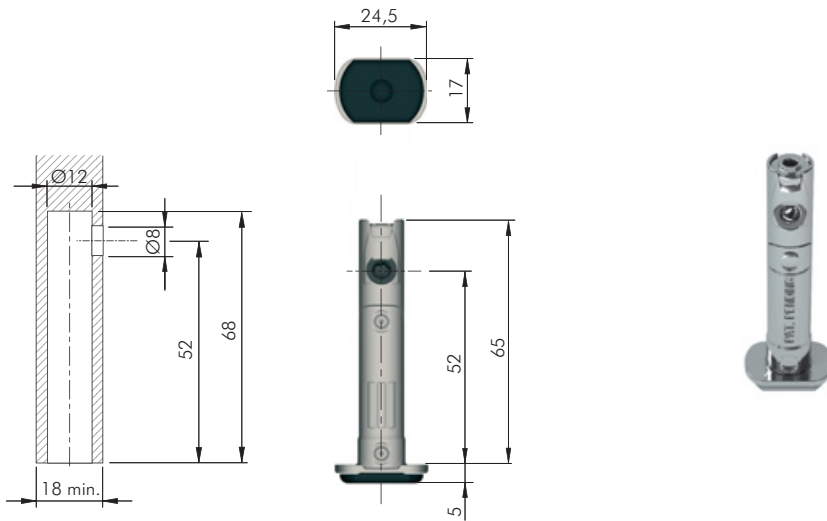


### ADJUSTMENT



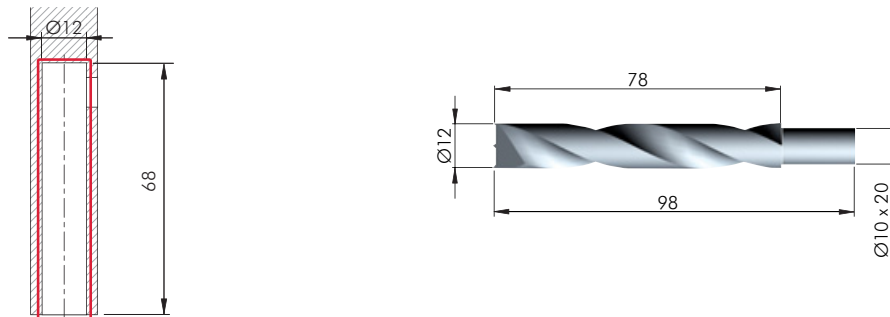


**REKORD 12 H 52 mm**

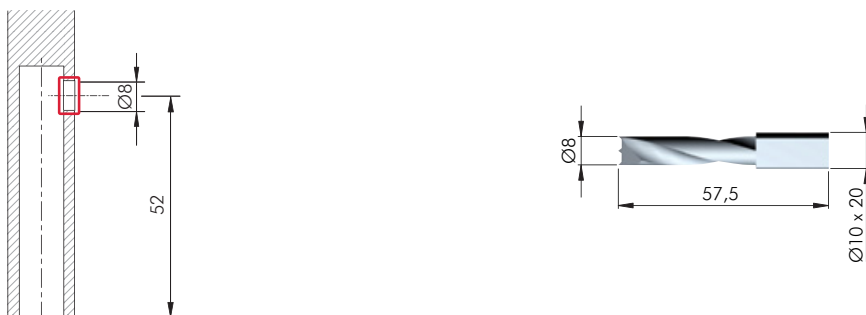


= S4 mm	= 200 pcs.
ZA EP ST	
123	
3030101000	

**DRILL BIT FOR REKORD 12 H 52 mm**



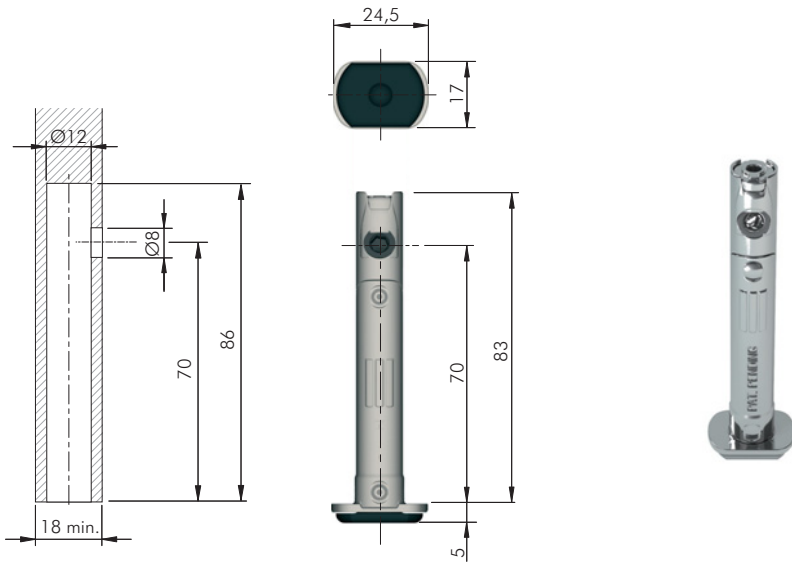
HSS	= on request
123	
3030158000	



HSS	= on request
123	
1145202000	

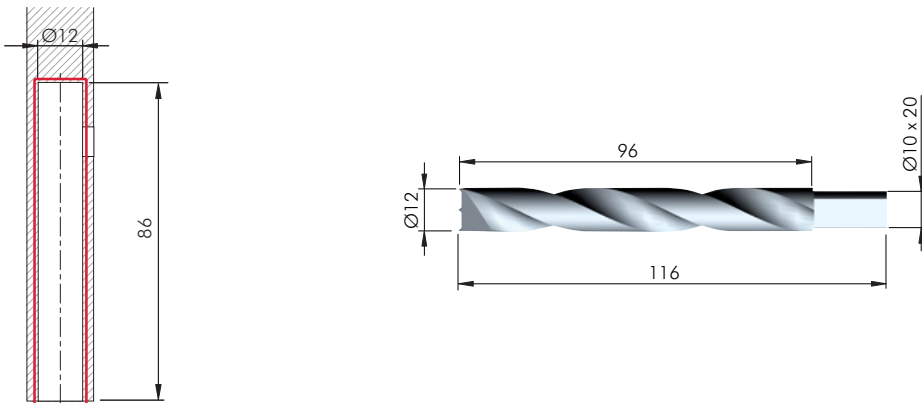


## REKORD 12 H 70 mm

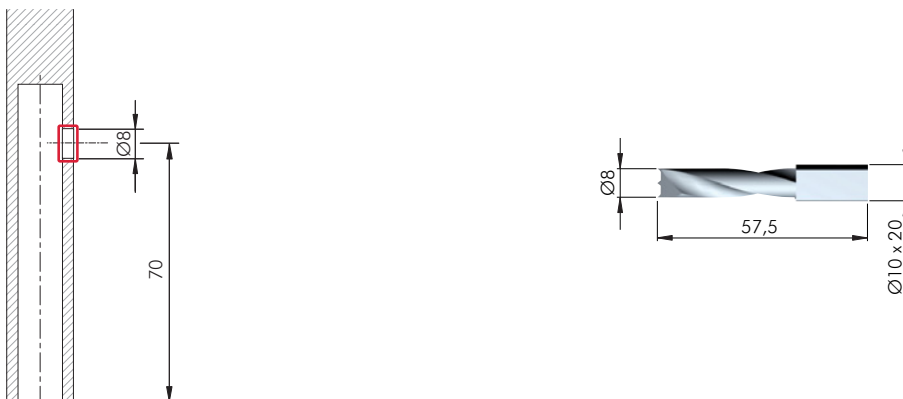


= S4 mm	= 150 pcs.
ZA EP ST	
3030102000	

## DRILL BIT FOR REKORD 12 H 70 mm



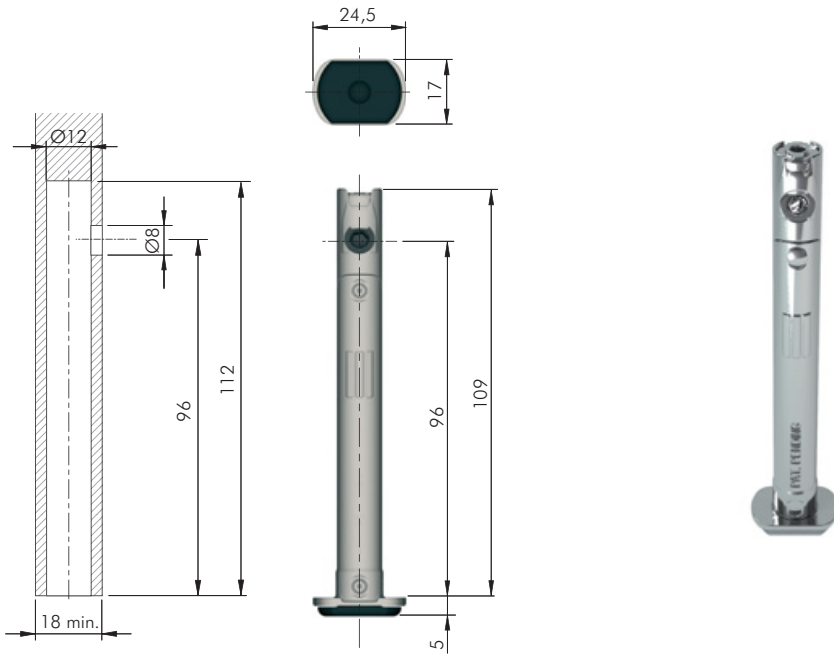
HSS	= on request
3030159000	



HSS	= on request
1145202000	

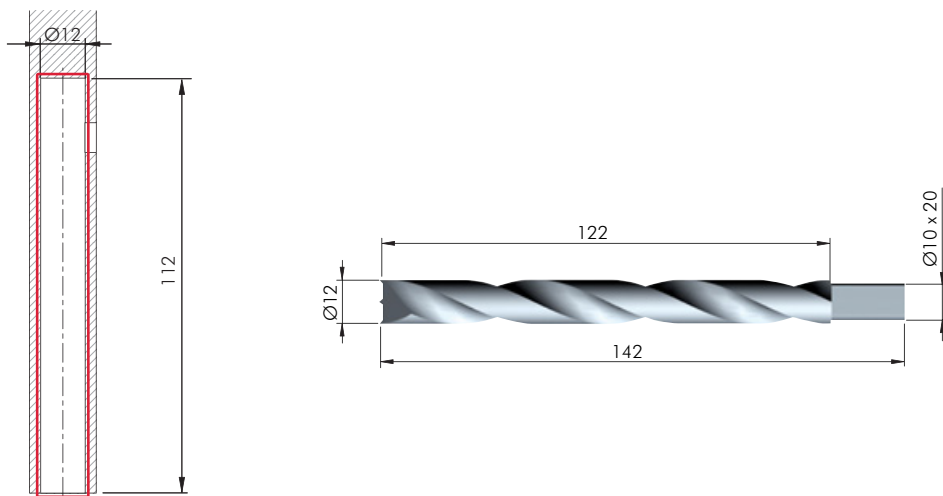


**REKORD 12 H 96 mm**

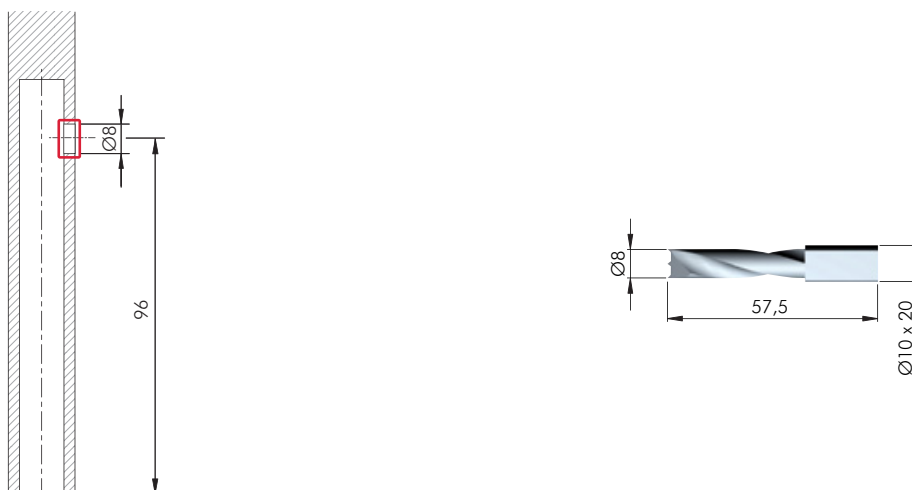


= S4 mm	= 125 pcs.
ZA EP ST	
123	
3030103000	

**DRILL BIT FOR REKORD 12 H 96 mm**



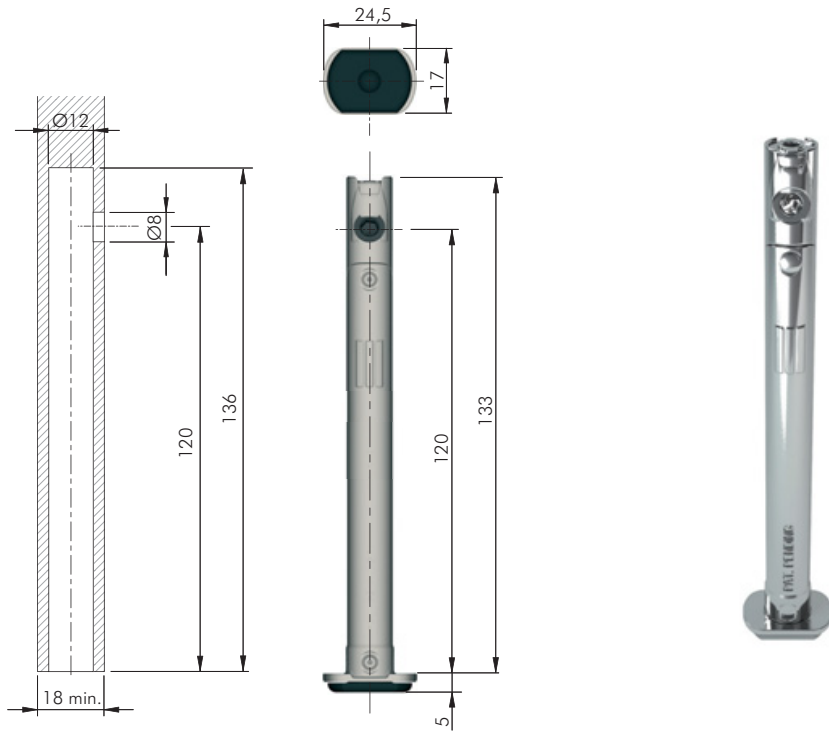
HSS	= on request
123	
3030153000	



HSS	= on request
123	
1145202000	

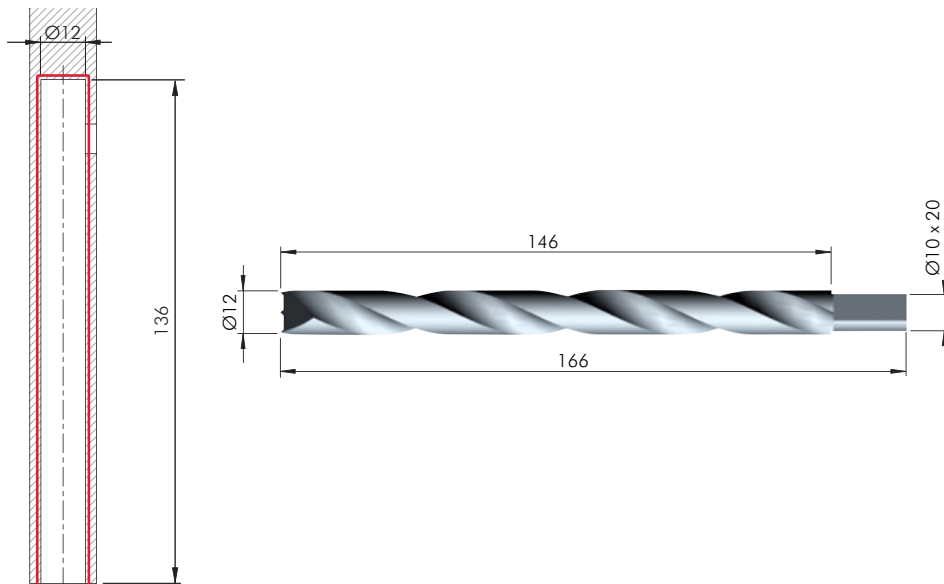


## REKORD 12 H 120 mm

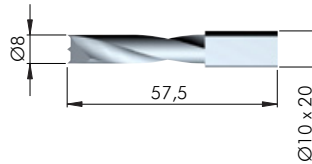
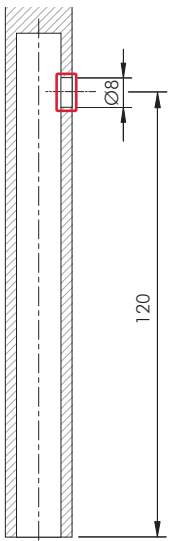


= S4 mm	= 100 pcs.
ZA EP ST	
123	
3030104000	

## DRILL BIT FOR REKORD 12 H 120 mm

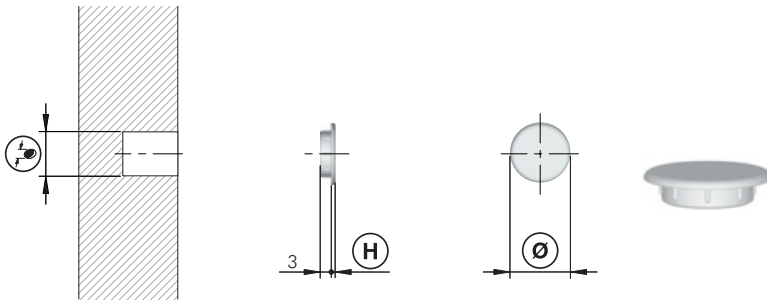


HSS	= on request
123	
3030152000	



HSS	= on request
1145202000	

## REKORD 12 ACCESSORY



= Ø 8 mm				
EP				
23002010AB	Ø 8	Ø 11	1	5000

## PLINTH CLIP FOR REKORD 12

- For details refer to section "CONNECTINGS: PLINTH CLIP"

