



KIMANA

KIMANA is the new hinge conceived by Italiana Ferramenta to open and close flap and drop-down doors. Provided with a unique and exclusive movement, it allows to open cabinet doors in column, even when the cabinet bottom lies upon another panel or the cabinet top is surmounted by a decorative/lighting panel. The small dimensions (\varnothing 26mm boring for both the door and the bottom), the minimalistic and elegant design contribute to make **KIMANA** not only a functional hinge, but also a product unique in its genre. The fixing screws are perpendicular, thus making **KIMANA** suitable for perfect positioning, as well as for aluminium profiles. **KIMANA** can be easily adjusted through the screws (PZ2) which are hidden underneath the cover.

Various door and cabinet thickness-combinations can be solutioned either by carrying out the adjustments of the **KIMANA** or by plaining adapters under the hinge clip so that the ideal movement and alignment of the door are guaranteed.

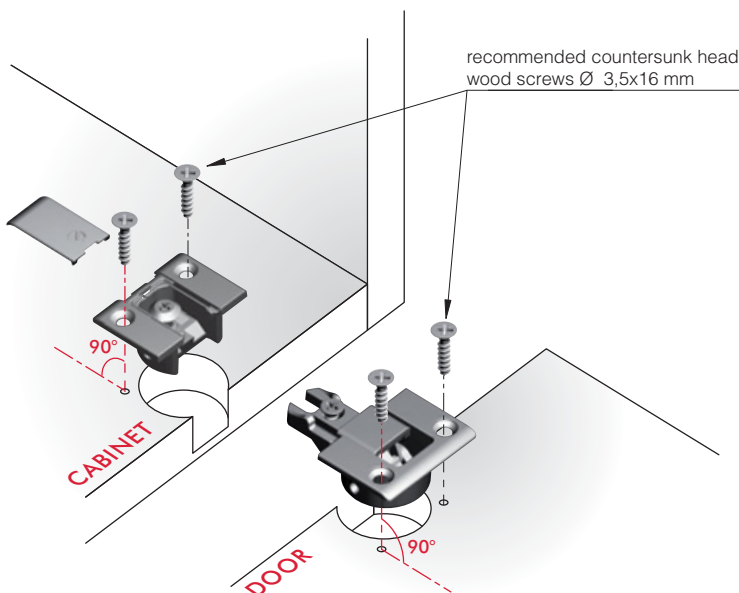


GOOD DESIGN AWARD, 2012

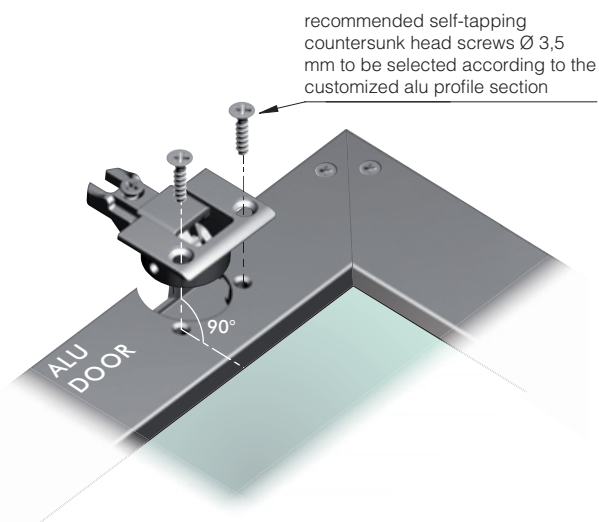
PAT. PENDING
REGISTERED DESIGN

PAT. PENDING
REGISTERED DESIGN

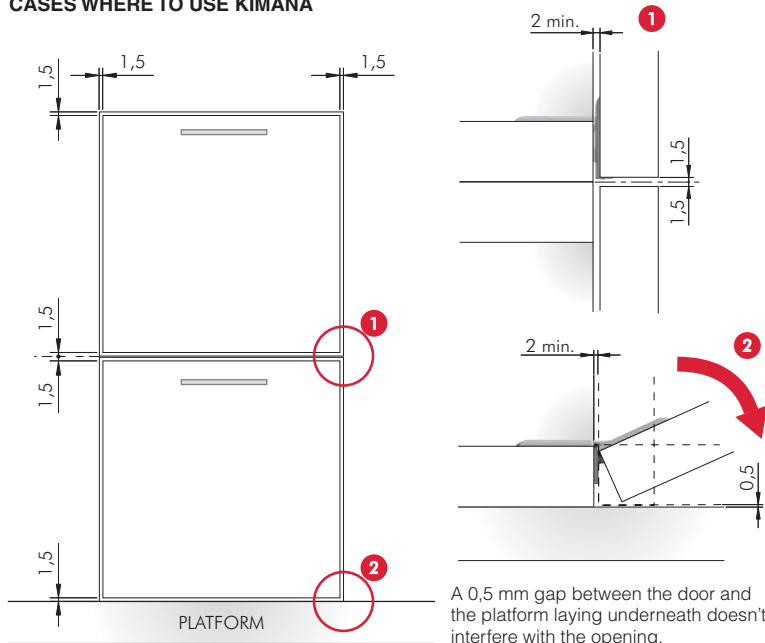
INSTALLATION ON UNIT WITH SOLID DOOR (Application shown for minimum thickness 18 mm)



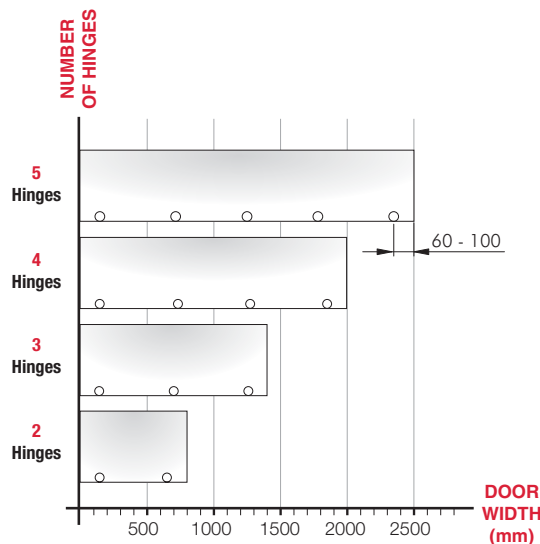
INSTALLATION ON UNIT WITH ALUMINIUM DOOR (Application shown for minimum thickness 18 mm)



CASES WHERE TO USE KIMANA



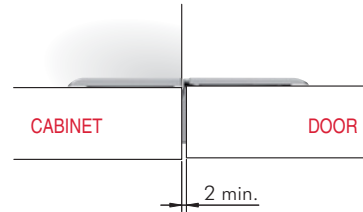
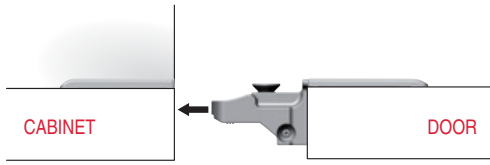
RECOMMENDED NUMBER OF KIMANA PER DOOR



Due to various factors, the quantities stated in the chart are indicative.

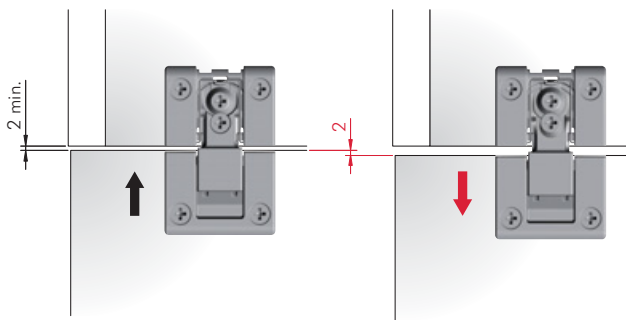


DOOR INSTALLATION



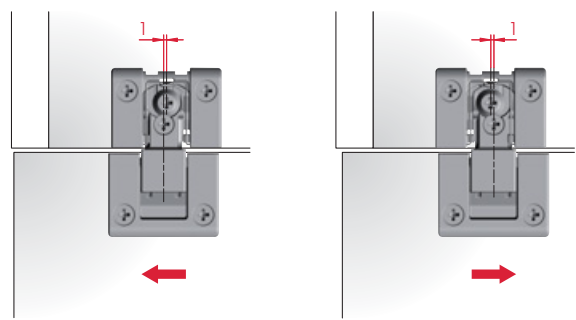
IN-DEPTH ADJUSTMENT 0+2 mm

⚠ TO BE MADE BEFORE LOCKING SCREW OPERATION ⚠



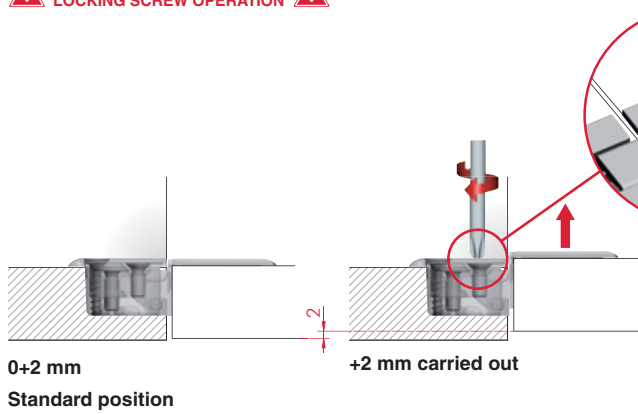
LATERAL ADJUSTMENT 0±1 mm

⚠ TO BE MADE BEFORE LOCKING SCREW OPERATION ⚠

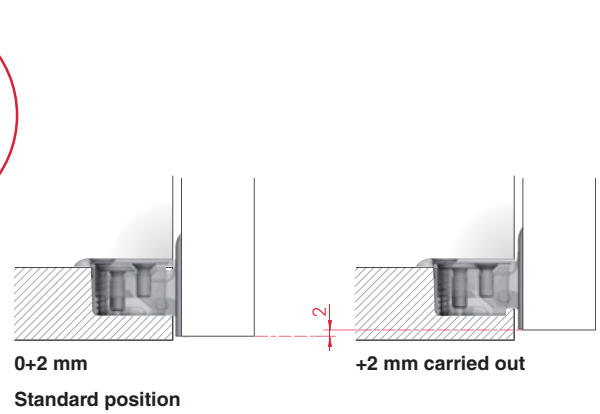


VERTICAL ADJUSTMENT 0+2 mm - DOOR OPEN

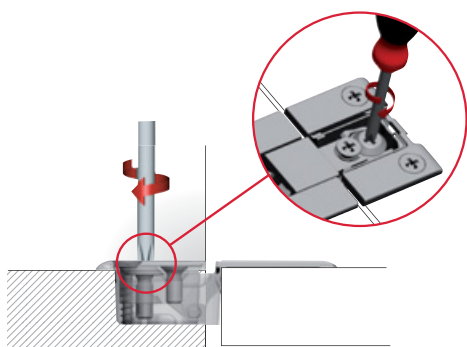
⚠ TO BE MADE BEFORE LOCKING SCREW OPERATION ⚠



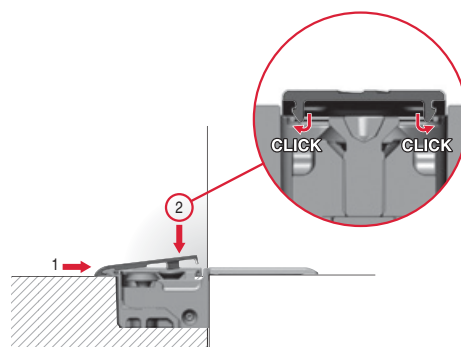
VERTICAL ADJUSTMENT 0+2 mm - DOOR CLOSED



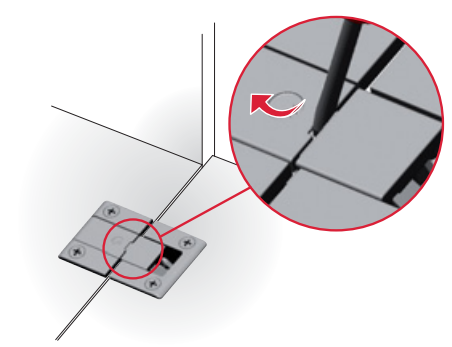
LOCKING SCREW

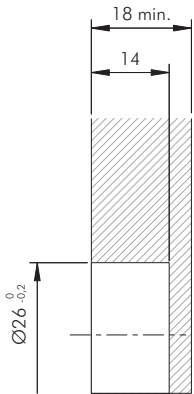


COVER CAP INSERTION

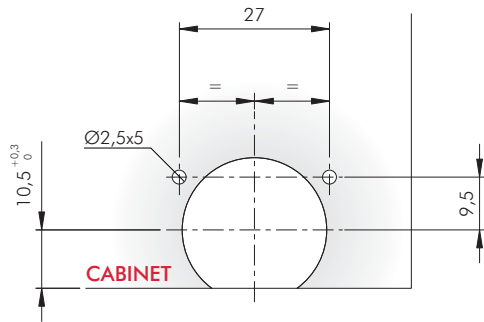


COVER CAP REMOVAL

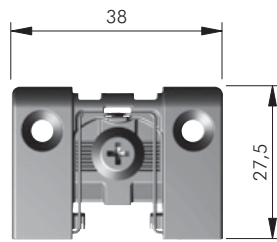




NOTE: For panel thickness lower than 18 mm, refer to "KIMANA ADAPTERS".

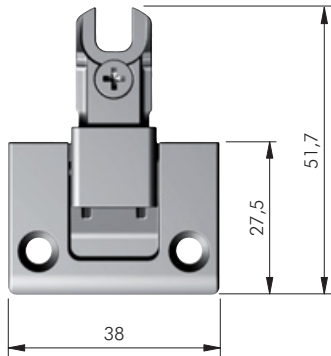


CABINET



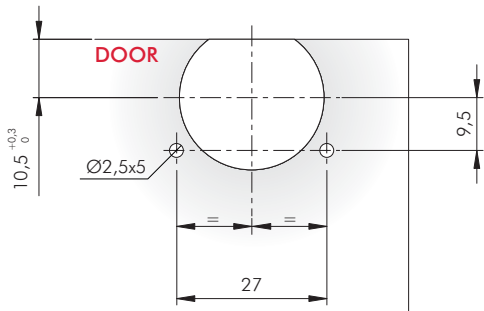
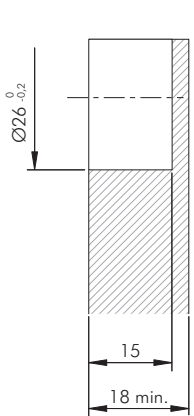
= 150 pcs.

40115000YA



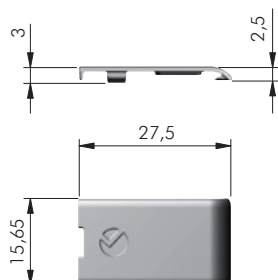
= 150 pcs.

40115010YA



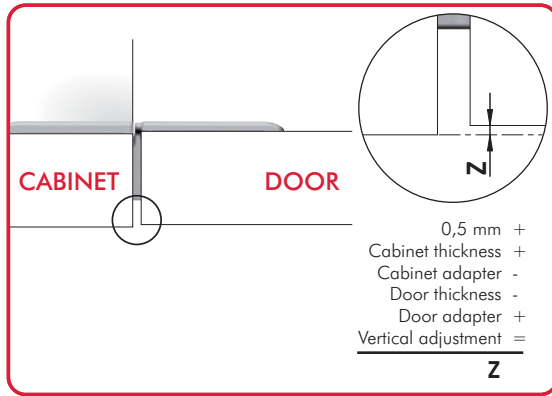
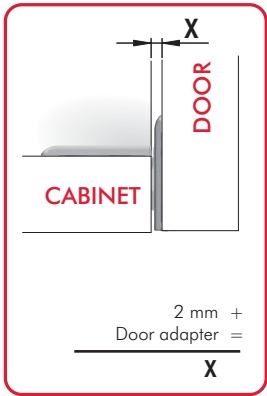
DOOR

NOTE: For panel thickness lower than 18 mm, refer to "KIMANA ADAPTERS".

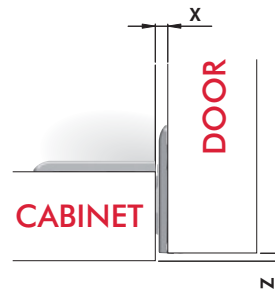
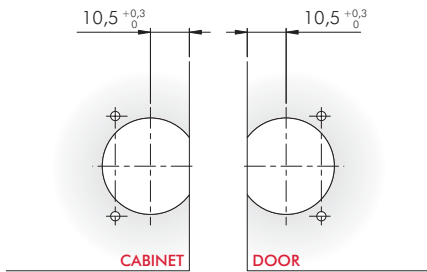


= 150 pcs.

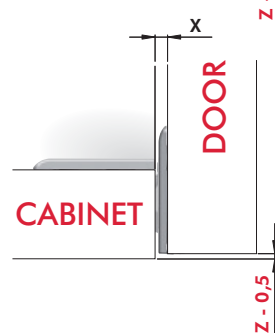
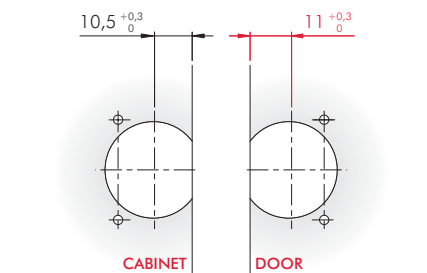
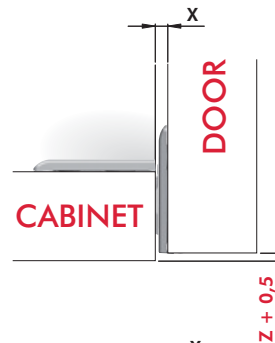
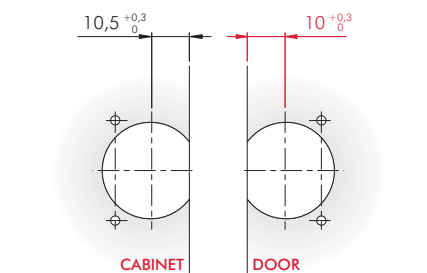
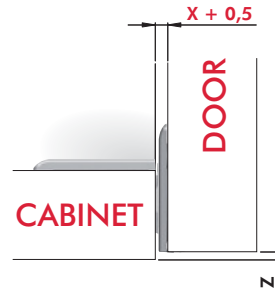
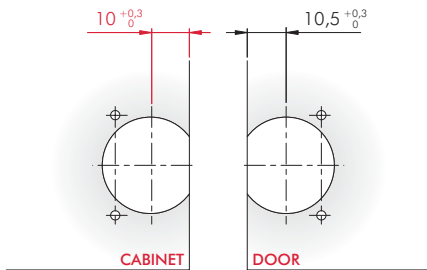
40115040YA



STANDARD DRILLING PLAN



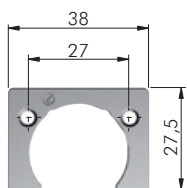
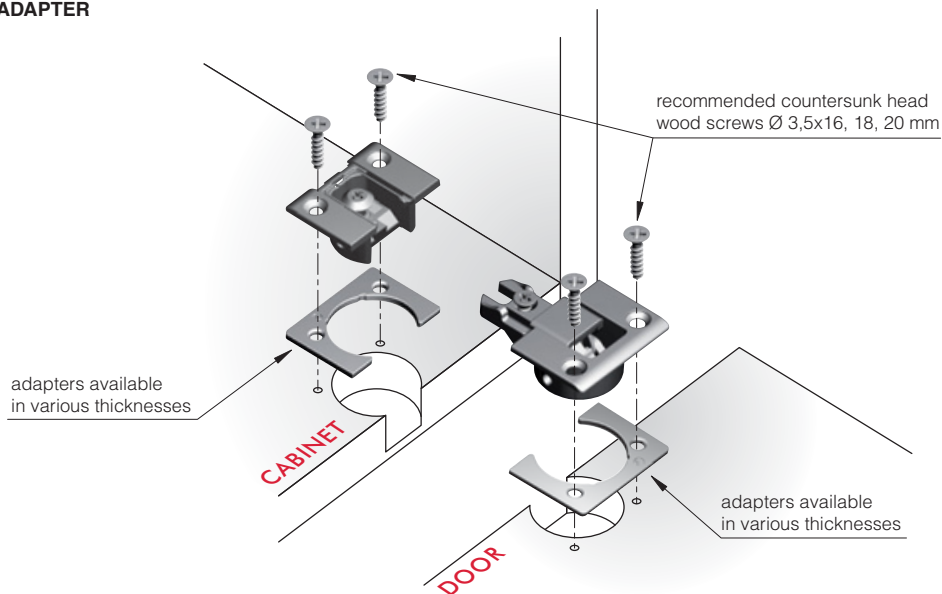
ALTERNATIVE DRILLING PLANS



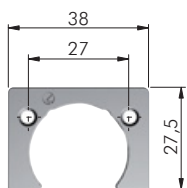


KIMANA ADAPTERS

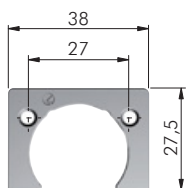
INSTALLATION WITH ADAPTER



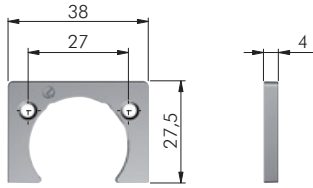
ZA	= on request
40115320YA	



ZA	= on request
40115340YA	



ZA	= on request
40115360YA	

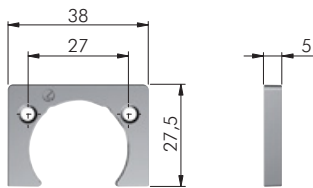


ZA

= on request



40115400YA



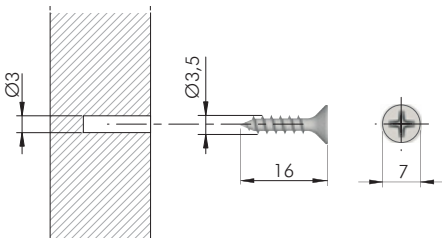
ZA

= on request



40115440YA

FIXING ACCESSORY FOR BOTH KIMANA AND ADAPTERS PART NO. 40115320YA - 40115340YA



= Ø 3 mm



= PZ2

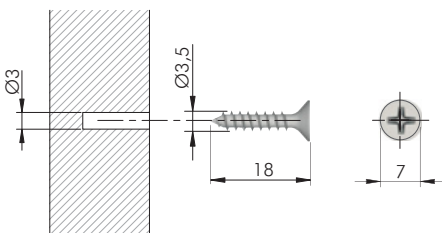
ST

= 10.000 pcs.



60101390YA

FIXING ACCESSORY FOR KIMANA ADAPTERS PART NO. 40115360YA - 40115400YA



= Ø 3 mm



= PZ2

ST

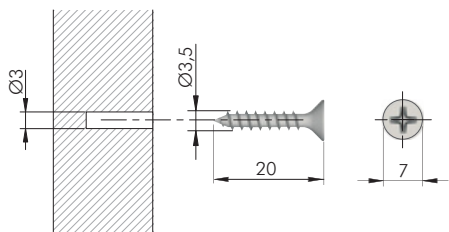
= 10.000 pcs.



60101400YA



FIXING ACCESSORY FOR KIMANA ADAPTER PART NO. 40115440YA



= Ø 3 mm +

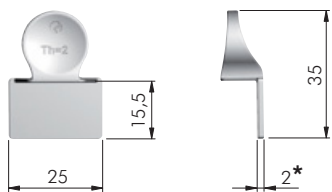
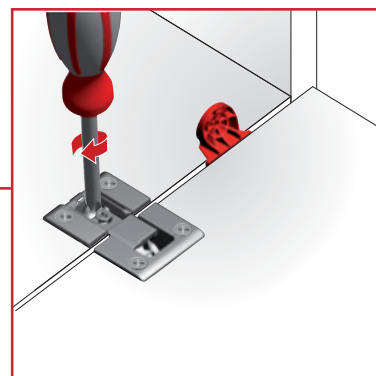
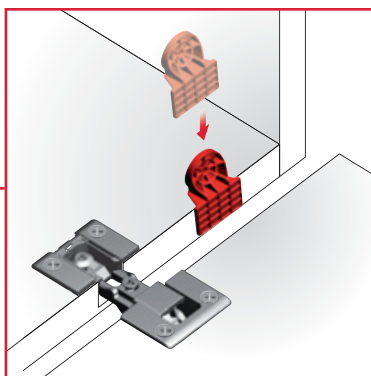
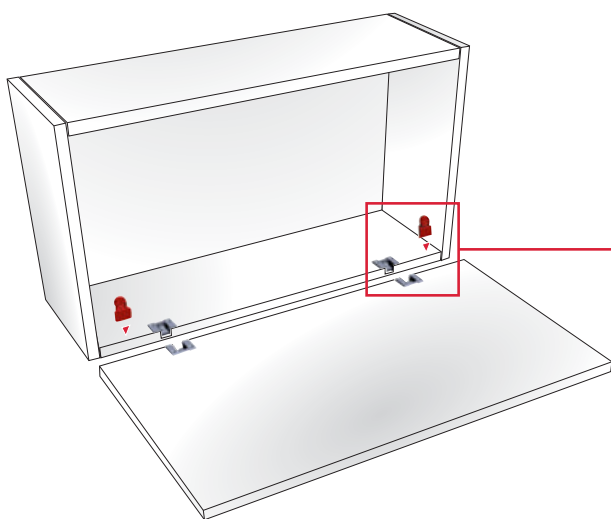
= PZ2

ST = 10.000 pcs.

123

60101410YA

DOOR ALIGNMENT SPACER FOR KIMANA HINGES



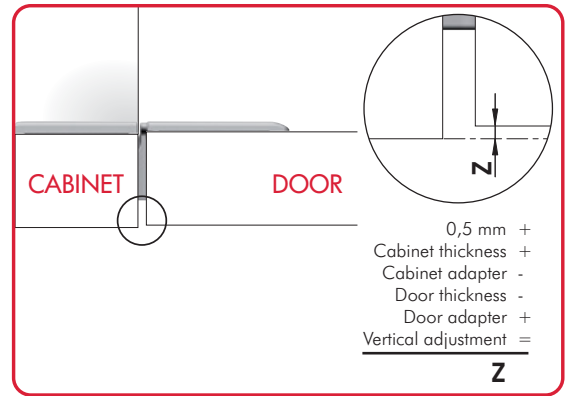
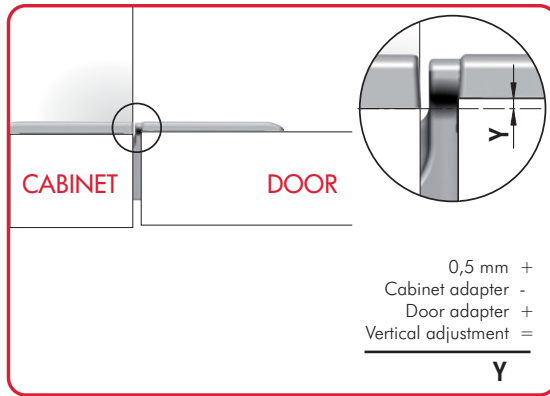
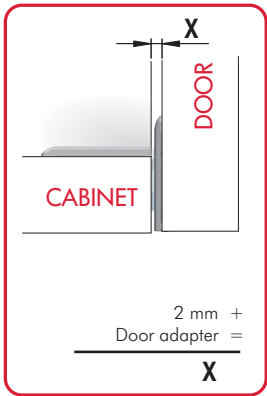
EP = on request

123

40115630RO

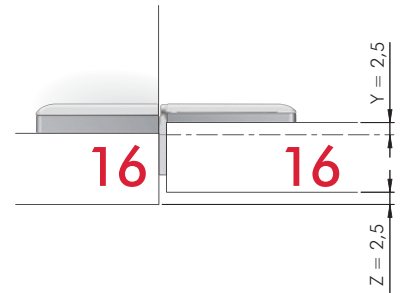
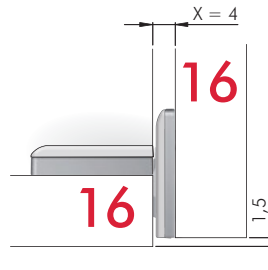
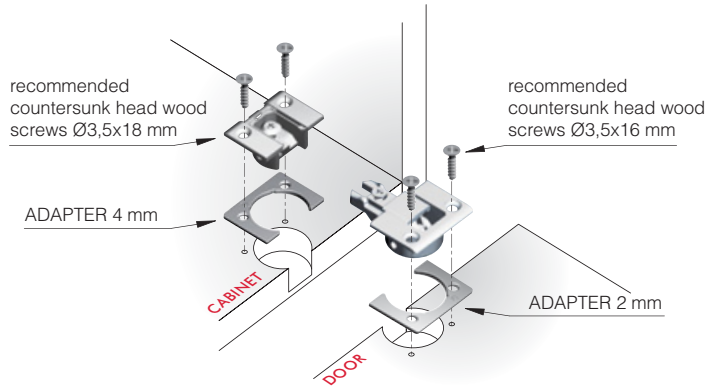
2 pcs featured in each polybag.

* For non-standard drilling plans 1,5, 2,5, 3 and 4 mm spacers are also available.



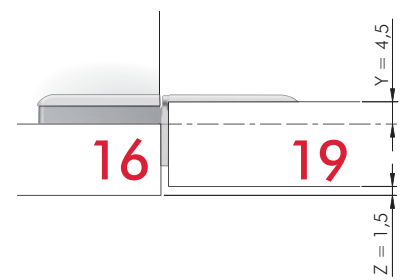
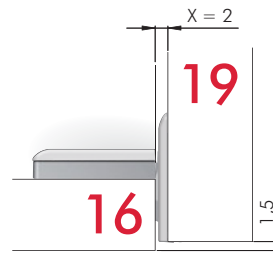
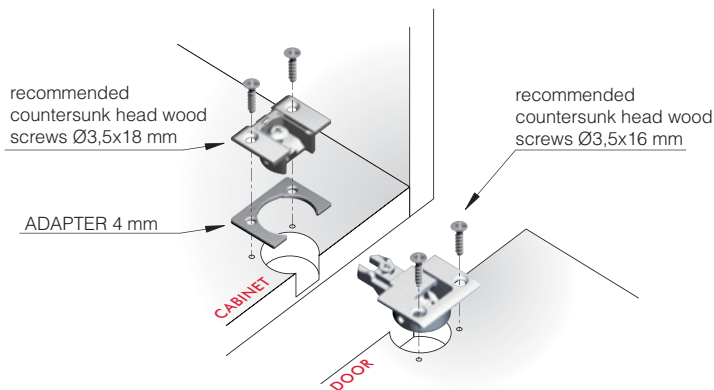
CABINET 16 mm WITH ADAPTER 4 mm THICK - DOOR 16 mm WITH ADAPTER 2 mm THICK

0 + 2 mm FURTHER VERTICAL ADJUSTMENT



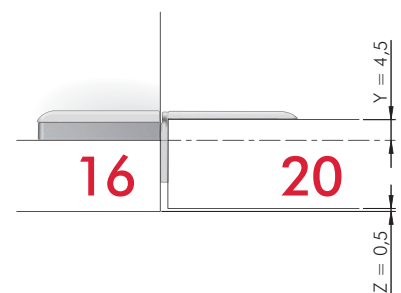
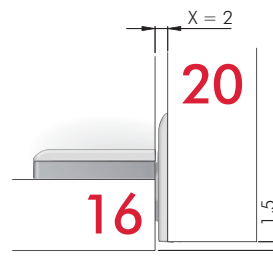
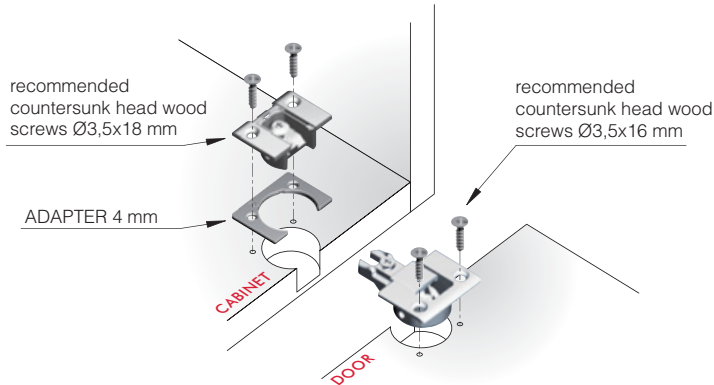
CABINET 16 mm WITH ADAPTER 4 mm THICK - DOOR 19 mm WITHOUT ADAPTER

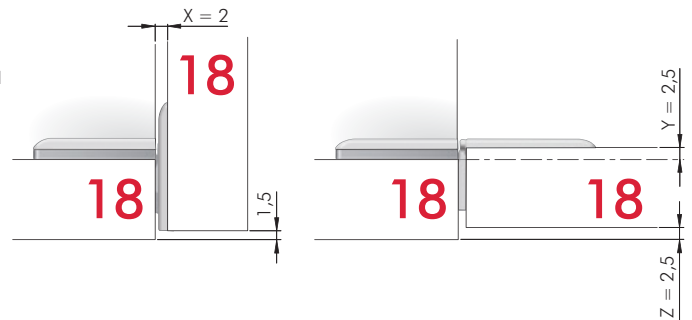
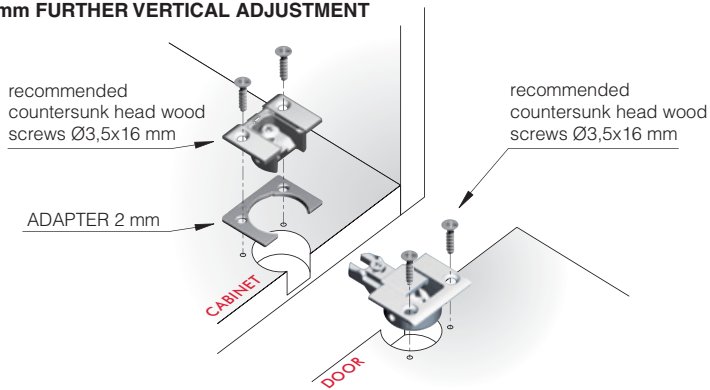
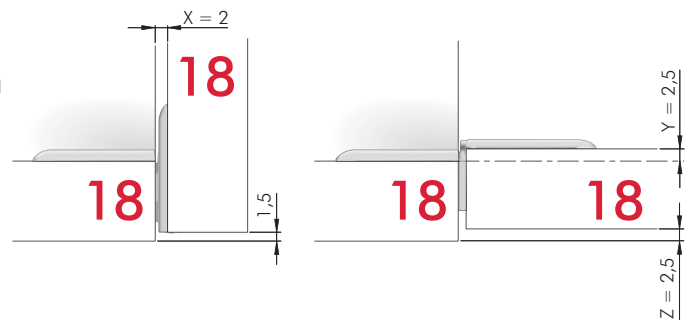
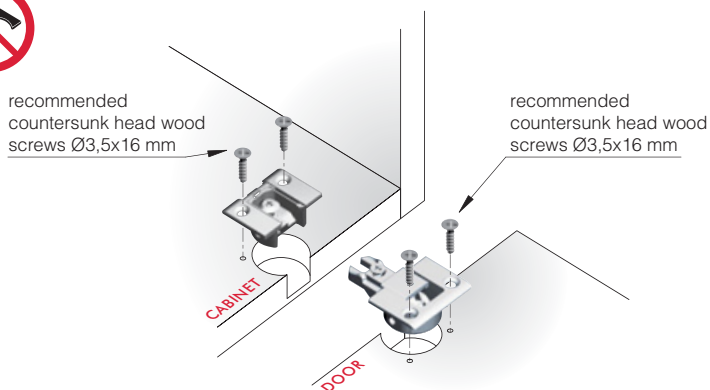
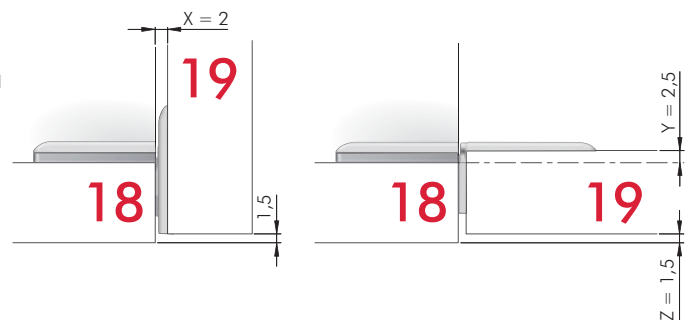
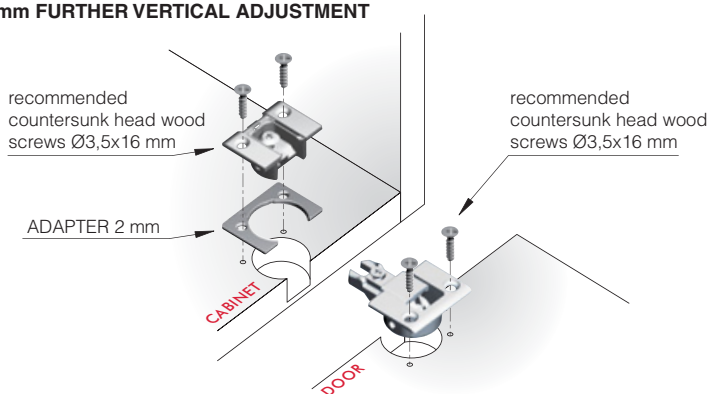
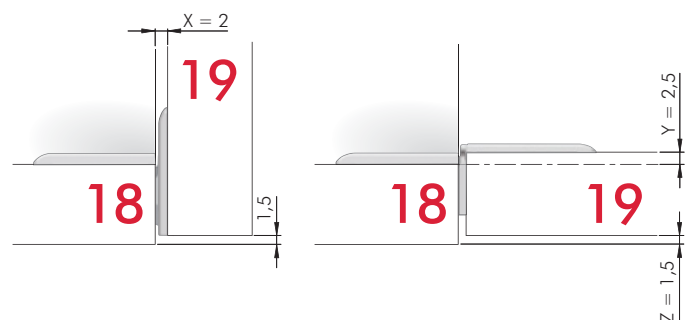
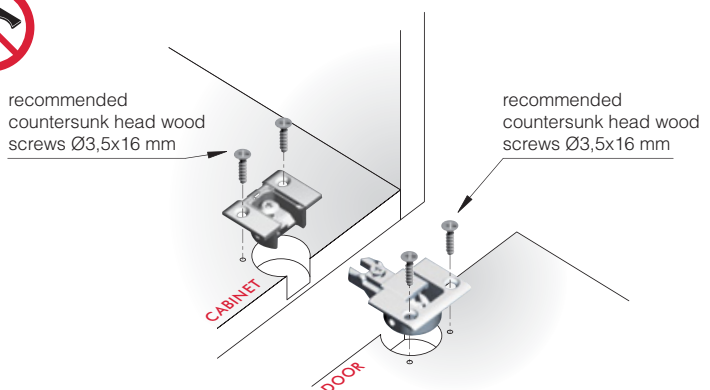
0 + 2 mm FURTHER VERTICAL ADJUSTMENT



CABINET 16 mm WITH ADAPTER 4 mm THICK - DOOR 20 mm WITHOUT ADAPTER

0 + 2 mm FURTHER VERTICAL ADJUSTMENT

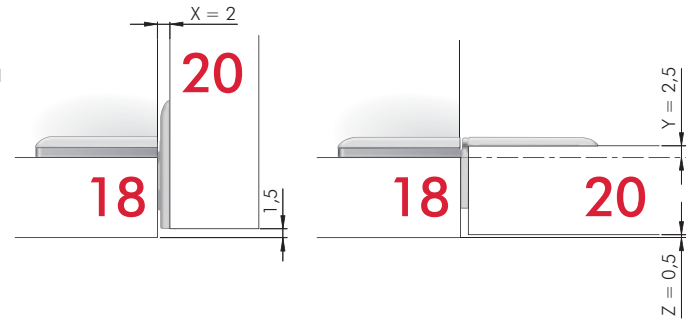
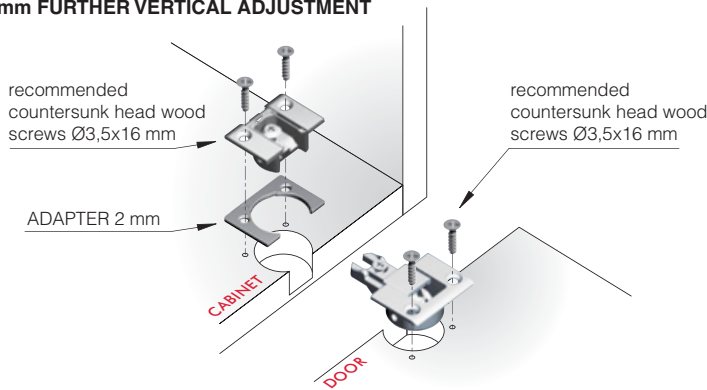


CABINET 18 mm WITH ADAPTER 2 mm THICK - DOOR 18 mm WITHOUT ADAPTER
0 + 2 mm FURTHER VERTICAL ADJUSTMENT

CABINET 18 mm WITHOUT ADAPTER - DOOR 18 mm WITHOUT ADAPTER
WITH VERTICAL ADJUSTMENT + 2 mm CARRIED OUT

CABINET 18 mm WITH ADAPTER 2 mm THICK - DOOR 19 mm WITHOUT ADAPTER
0 + 2 mm FURTHER VERTICAL ADJUSTMENT

CABINET 18 mm WITHOUT ADAPTER - DOOR 19 mm WITHOUT ADAPTER
WITH VERTICAL ADJUSTMENT + 2 mm CARRIED OUT




CABINET 18 mm WITH ADAPTER 2 mm THICK - DOOR 20 mm WITHOUT ADAPTER

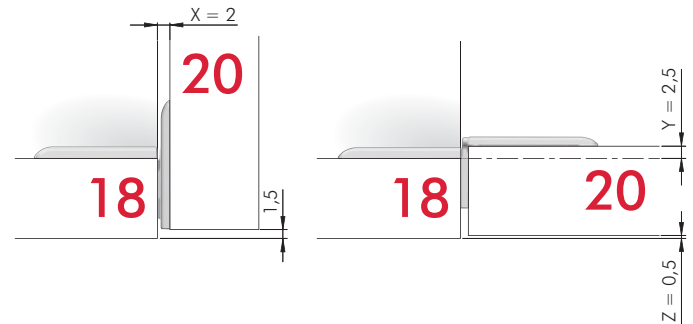
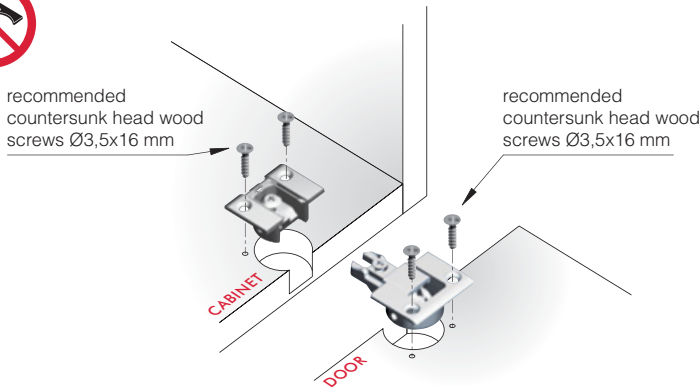
0 + 2 mm FURTHER VERTICAL ADJUSTMENT



CABINET 18 mm WITHOUT ADAPTER - DOOR 20 mm WITHOUT ADAPTER

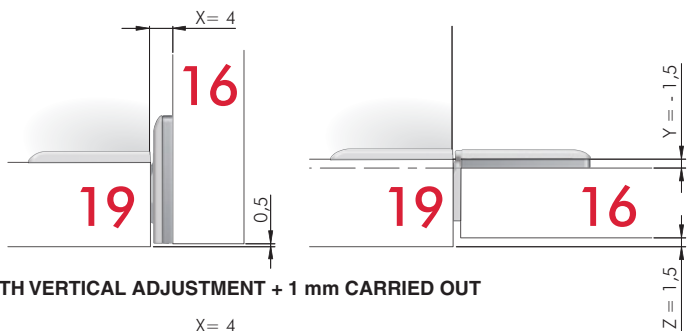
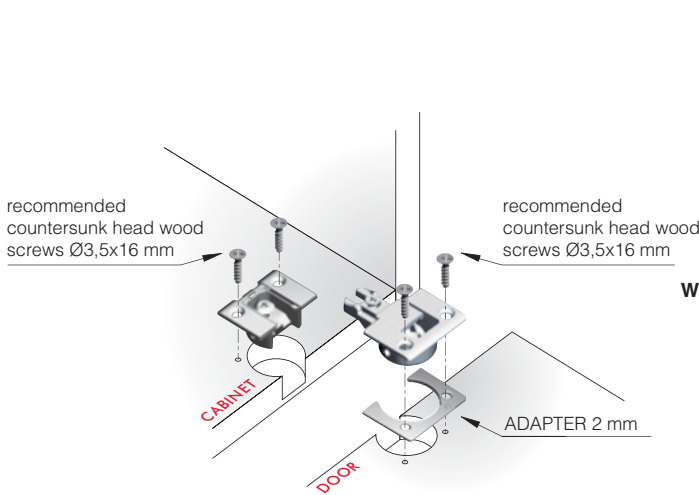


WITH VERTICAL ADJUSTMENT + 2 mm CARRIED OUT

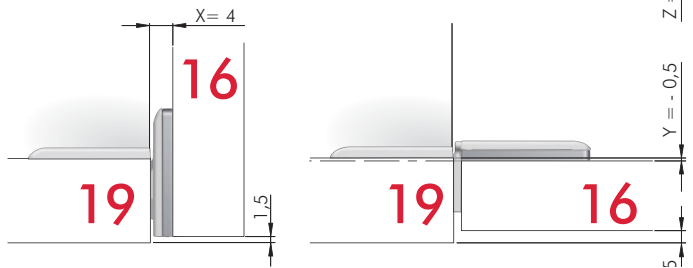


CABINET 19 mm WITHOUT ADAPTER - DOOR 16 mm WITH ADAPTER 2 mm THICK

0 + 2 mm FURTHER VERTICAL ADJUSTMENT

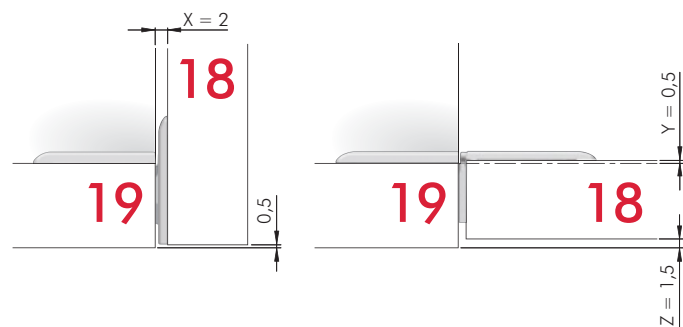
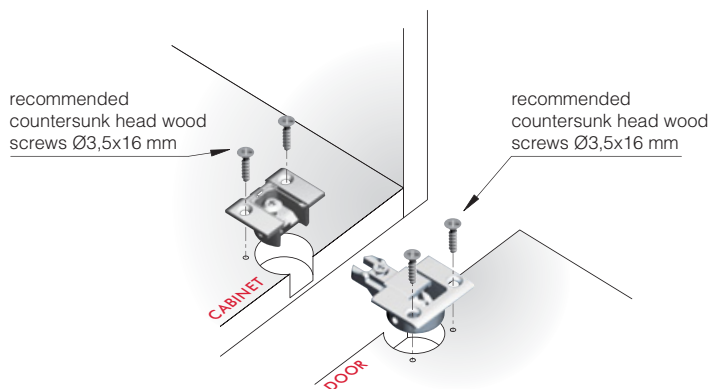


WITH VERTICAL ADJUSTMENT + 1 mm CARRIED OUT



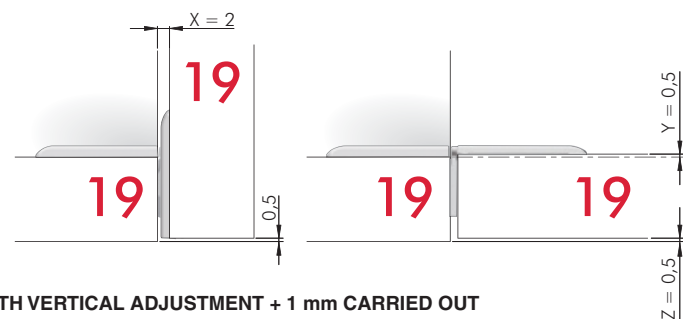
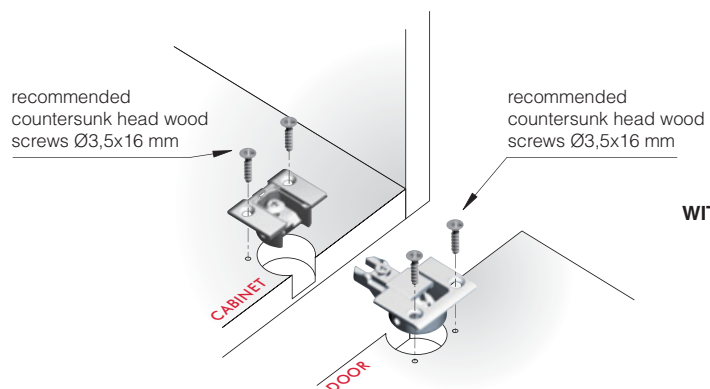


CABINET 19 mm WITHOUT ADAPTER - DOOR 18 mm WITHOUT ADAPTER

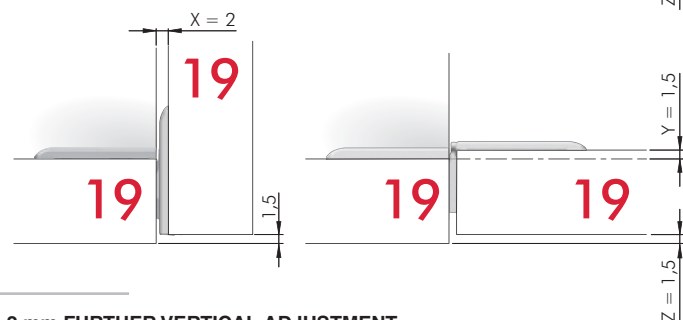


CABINET 19 mm WITHOUT ADAPTER - DOOR 19 mm WITHOUT ADAPTER

0 + 2 mm FURTHER VERTICAL ADJUSTMENT

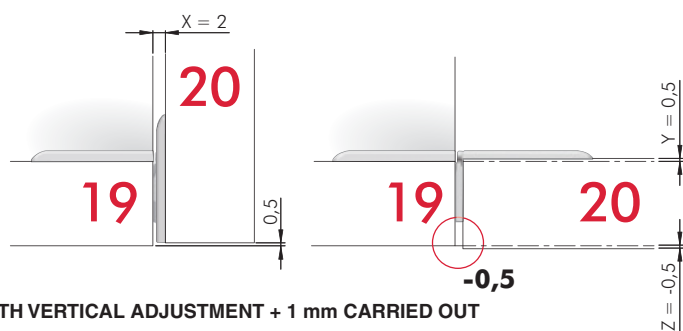
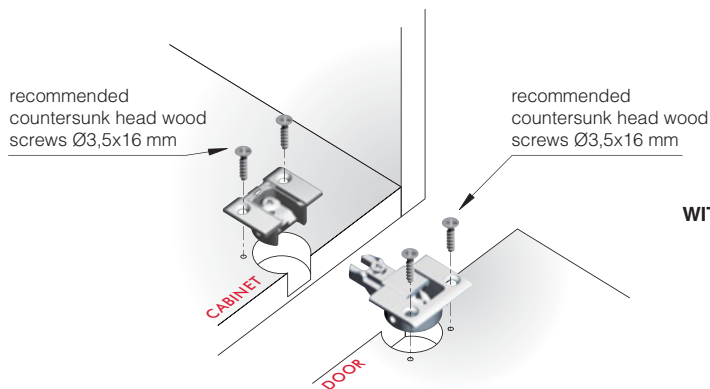


WITH VERTICAL ADJUSTMENT + 1 mm CARRIED OUT

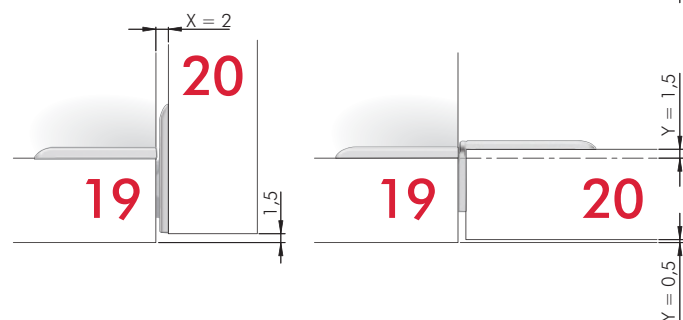


CABINET 19 mm WITHOUT ADAPTER - DOOR 20 mm WITHOUT ADAPTER

0 + 2 mm FURTHER VERTICAL ADJUSTMENT



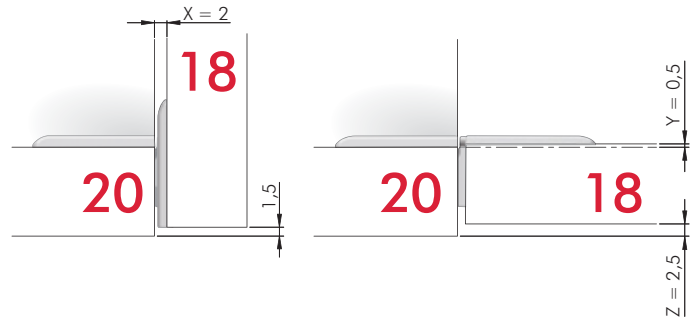
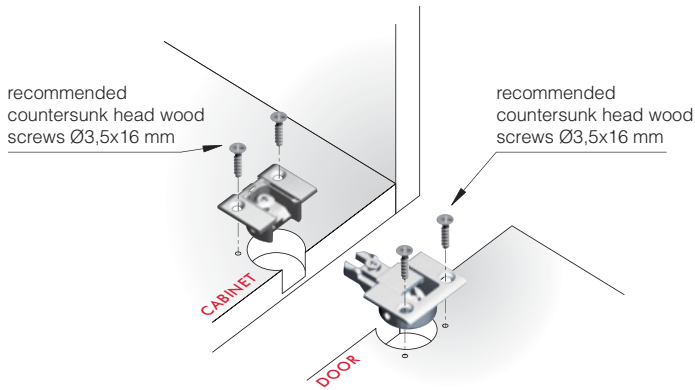
WITH VERTICAL ADJUSTMENT + 1 mm CARRIED OUT





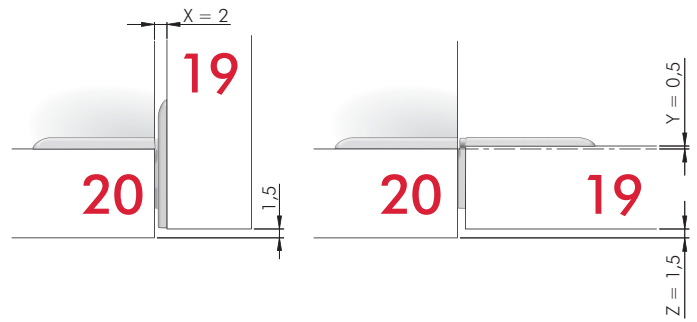
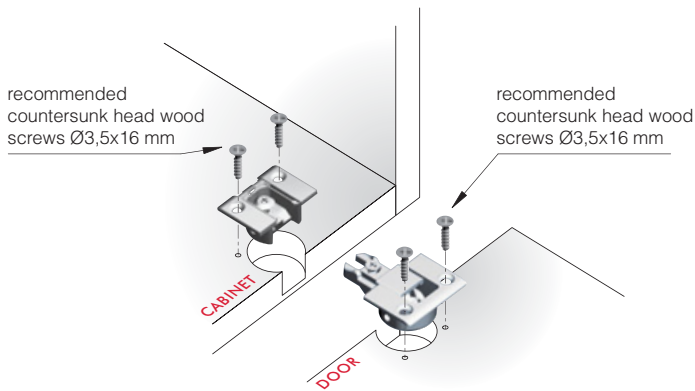
CABINET 20 mm WITHOUT ADAPTER - DOOR 18 mm WITHOUT ADAPTER

0 + 2 mm FURTHER VERTICAL ADJUSTMENT



CABINET 20 mm WITHOUT ADAPTER - DOOR 19 mm WITHOUT ADAPTER

0 + 2 mm FURTHER VERTICAL ADJUSTMENT



CABINET 20 mm WITHOUT ADAPTER - DOOR 20 mm WITHOUT ADAPTER

0 + 2 mm FURTHER VERTICAL ADJUSTMENT

