



## UNICO

**UNICO** is the new concept in wood shelf supports, to be slotted into the panel by making face borings. Useful for both flat pack and rigid furniture it is conceived for transport too as the shelf is secured in position.

It consists of a zinc alloy shelf support with a ridged wing on both sides combined with a sliding engineering plastic clip.

When the sliding clip moves forwards, its wedge shape inside the shelf support applies a pressure against the two zinc alloy ridged wings. Quicker installation of the shelf; just place in the required position the shelf supports with the wings already spread and then push downwards the shelf. The ridged wings grip into the chipboard and lock the shelf in position. Easy repositioning of the shelf; just move backwards the sliding clips through the fingernail or screwdriver blade sockets, the wings retreat. Push upwards the shelf to release.

For shelf minimum 15mm thick.

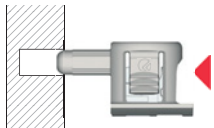


Unico Ø 5 and euro screw versions are in accordance with the regulation: UNI EN 14749/05.

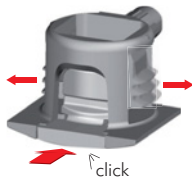
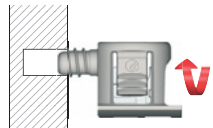
PAT. PENDING

15 mm min.

Assembling with smooth pin

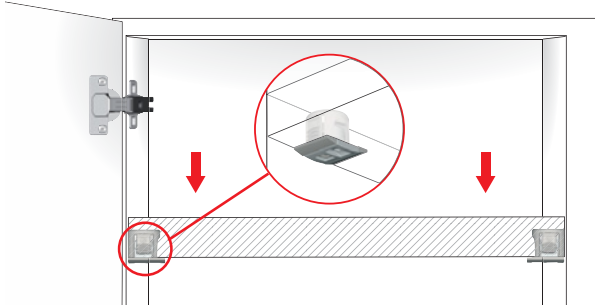
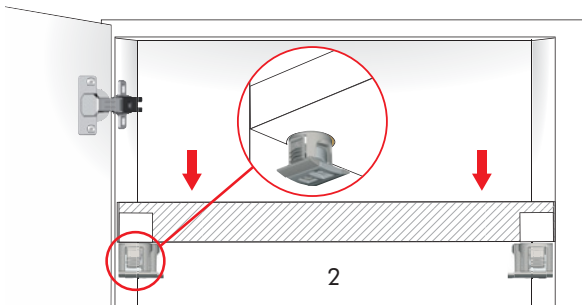
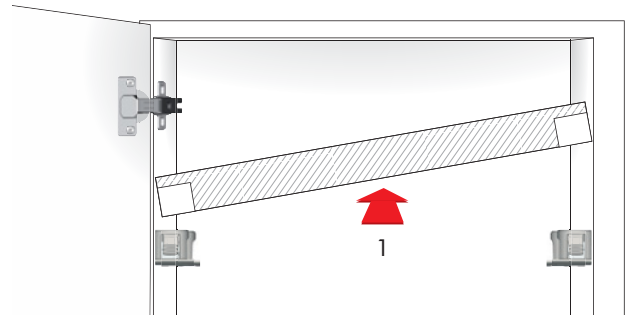


Assembling with threaded pin to achieve horizontal connection

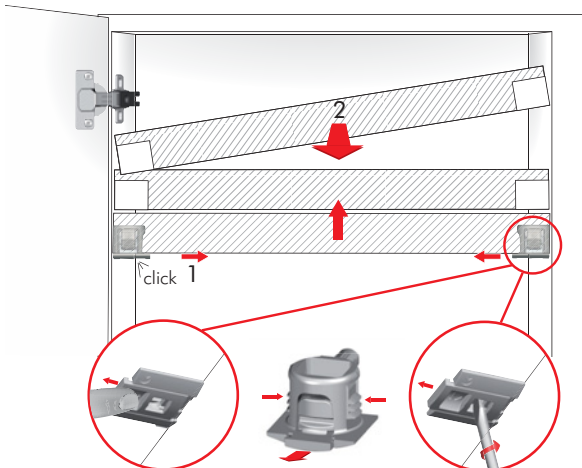


Unico is supplied with the sliding clip already in the forward position ready for installation

### SHELF INSTALLATION

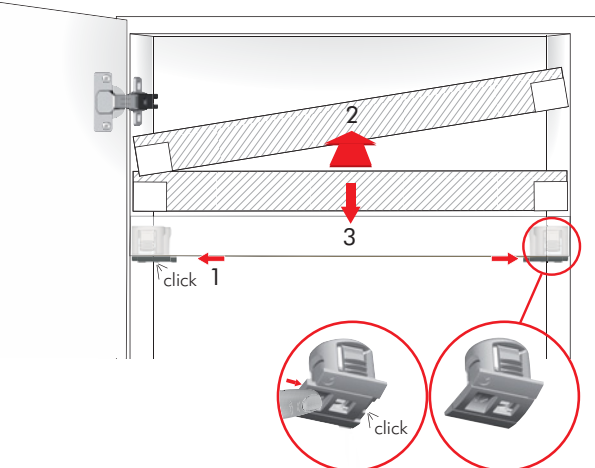


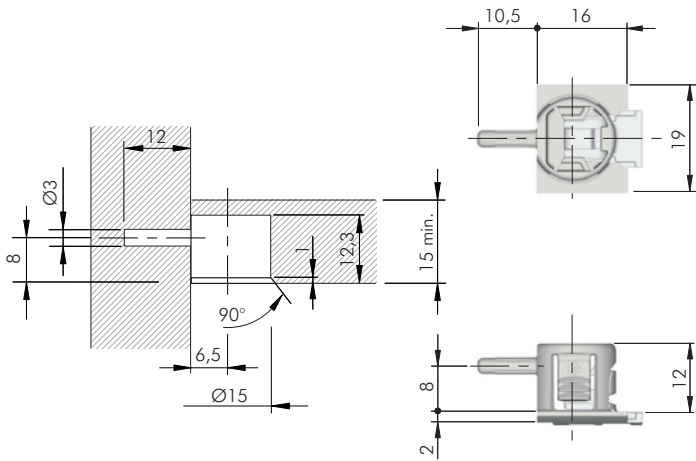
### SHELF REMOVAL FOR NEW REPOSITIONING



Shelf release through fingernail socket

Shelf release through screwdriver blade socket

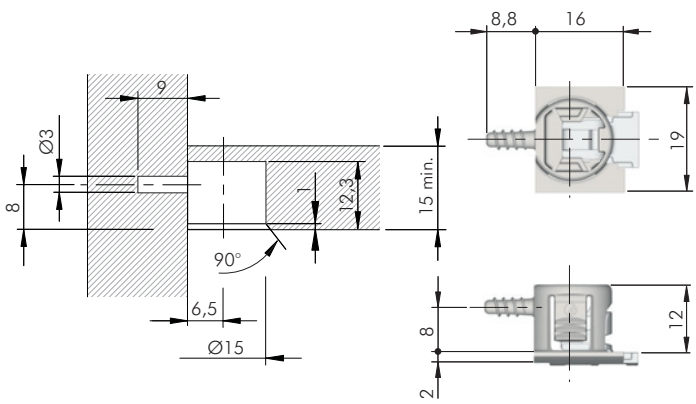




= Ø 3 mm +

= 2500 pcs.

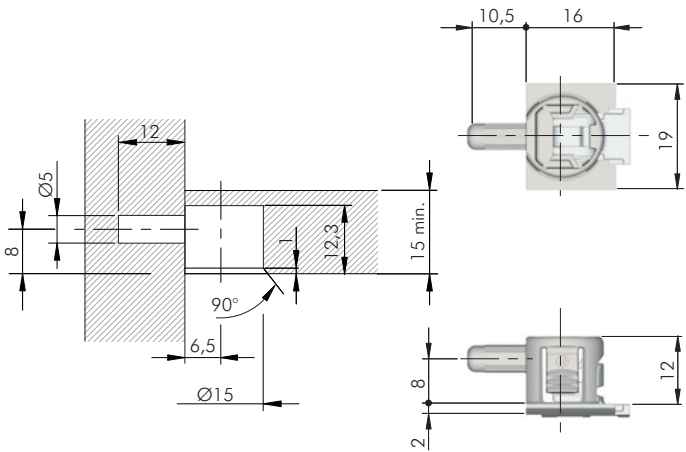
10703010YA



= Ø 3 mm +

= 2500 pcs.

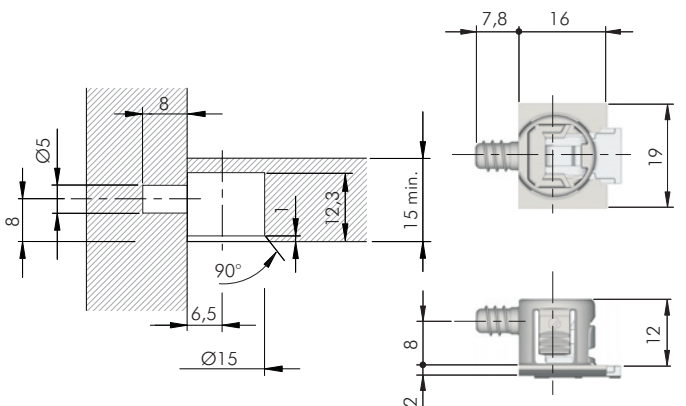
10704010YA



= Ø 5 mm +

= UNI EN 14749/05  = 2500 pcs.

10701010YA



= Ø 5 mm +

= UNI EN 14749/05  = 2500 pcs.

10702010YA