



## PEKI

PEKI is the new technical shelf support with a captive design to lock glass shelves 4 to 10mm thick.

It consists of two elements:

- The main body with the locking screw pin.
  - The upper bracket with grooves which is pushed down into the main body until it perfectly fits the glass thickness.
- 90° clockwise turning of the screw pin and the glass is safely locked.

In accordance with the regulation UNI EN 14749/05.

Zinc alloy  
Engineering plastic

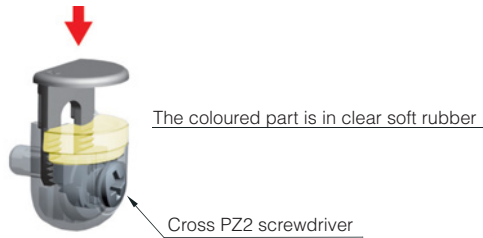
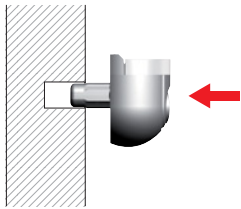


4 - 10 mm

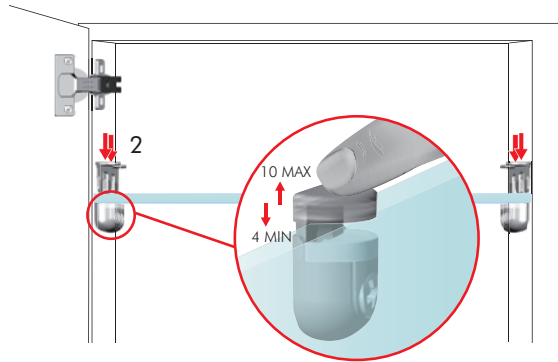
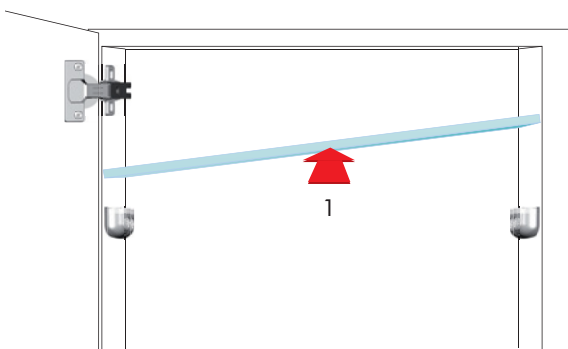
UNI EN 14749/05.

### INSTALLATION

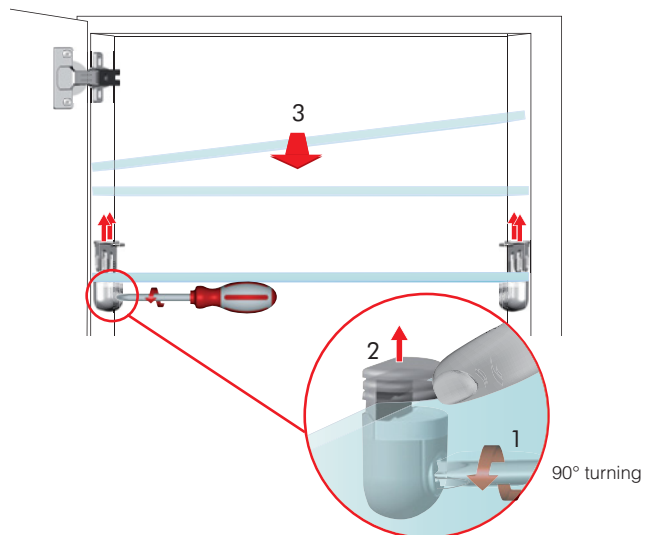
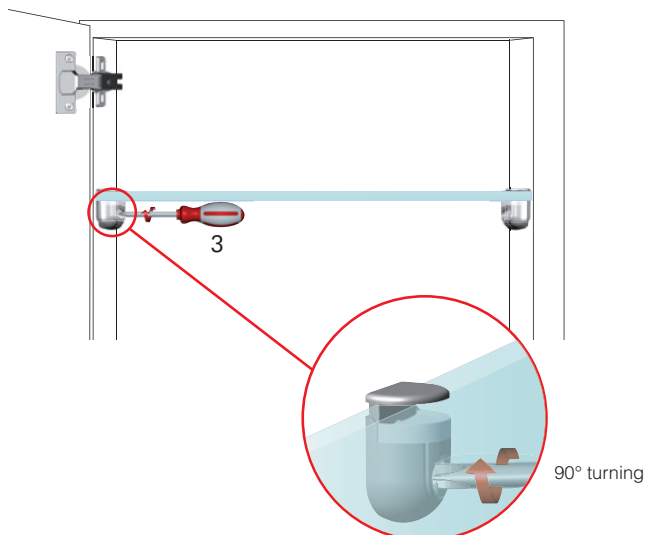
Assembling with smooth pin

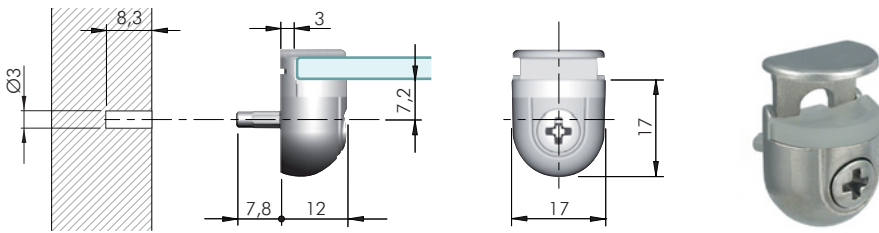


### SHELF INSTALLATION



### SHELF REMOVAL FOR NEW REPOSITIONING





= Ø 3 mm +

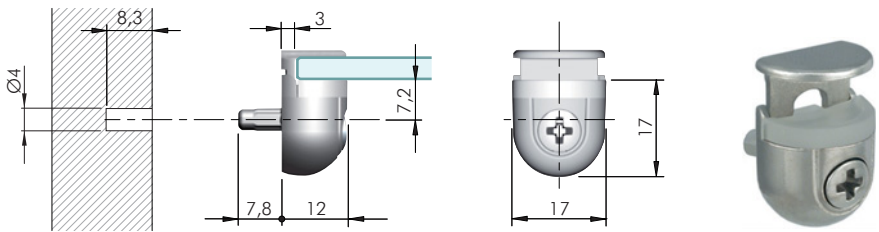
= PZ2

ZA SRn

= 1000 pcs.



16013010YA



= Ø 4 mm +

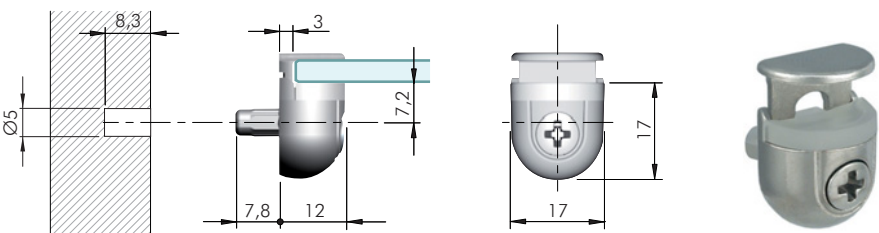
= PZ2

ZA SRn

= 1000 pcs.



16013020YA



= Ø 5 mm +

= PZ2

ZA SRn

= 1000 pcs.



16013040YA