

KRISTAL

KRISTAL is the new glass shelf support conceived by Italiana Ferramenta Srl, boasting a unique design with its modern and fresh aesthetics.

KRISTAL is a safe shelf support that allows the furniture to be delivered with the shelves pre-mounted. Provided with two layers of soft engineering plastic on both the upper and the lower side, it perfectly locks the shelf, and reduces the risk of damage to the shelf. Locking and unlocking the shelf is absolutely fast and easy with **KRISTAL**.

KRISTAL is available in 2 versions:

- For Glass Shelves 5-6mm thick
 - For Glass Shelves up to 8mm thickness
- Three different types of installation available:
- Ø 5mm Pin
 - With 3,5x12mm countersunk head wood screw
 - With M4x16mm countersunk head screw
- Zinc alloy and engineering plastic rubber



5 - 8 mm

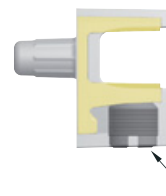
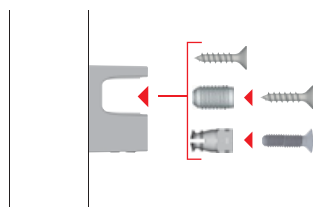
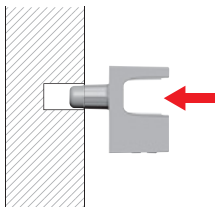
REGISTERED DESIGN
UNI EN 14749/05

In accordance with the regulation UNI EN 14749/05
REGISTERED DESIGN

INSTALLATION

Assembling with smooth pin

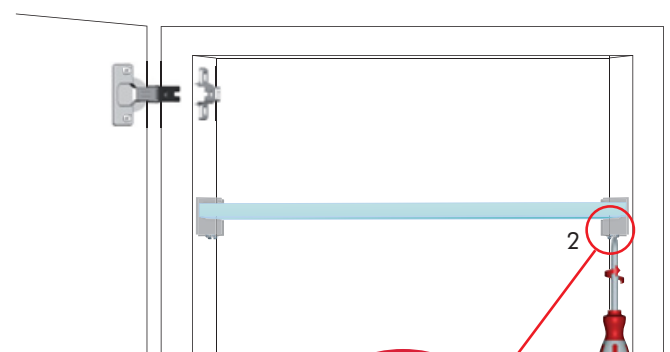
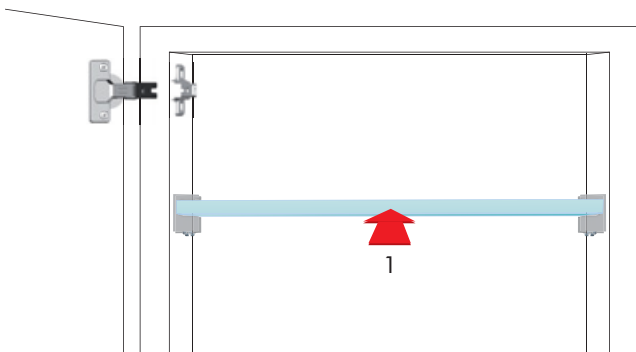
Assembling with alternative fixing options
to achieve horizontal connection



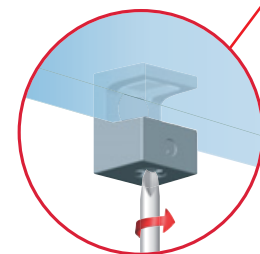
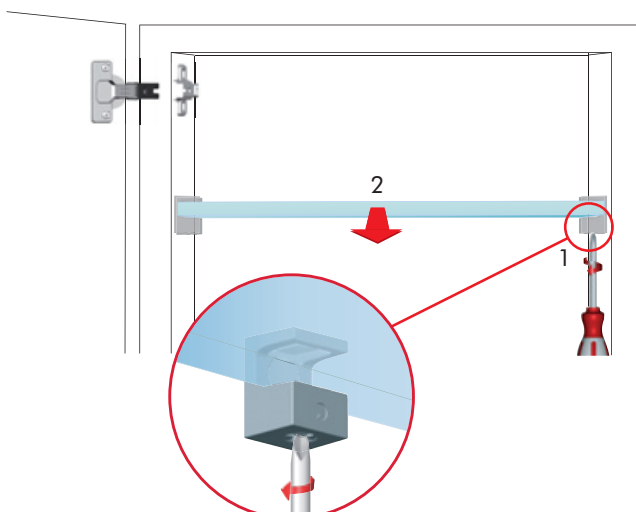
The coloured part is in clear soft rubber

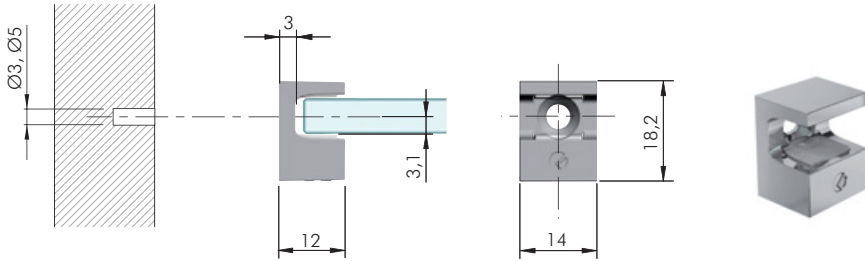
Metric insert in steel
cross PZ2 screwdriver

SHELF INSTALLATION



SHELF REMOVAL FOR NEW REPOSITIONING





= Ø 3, Ø 5 mm +

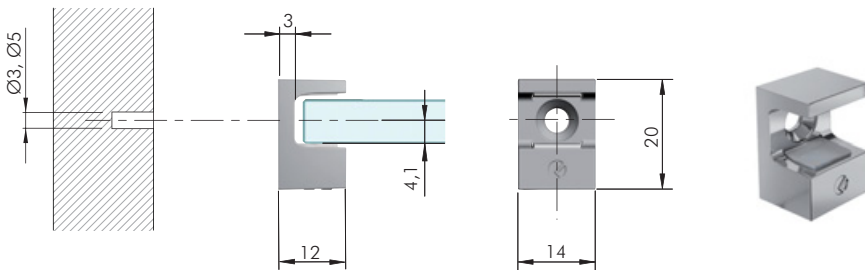
= 5 - 6 mm = PZ2

ZA SRn ST = 1000 pcs.



16113010YA

16113010KB



= Ø 3, Ø 5 mm +

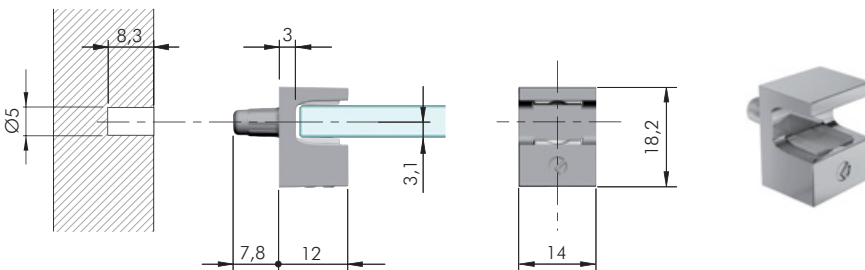
= 8 mm = PZ2

ZA SRn ST = 1000 pcs.



16114010YA

16114010KB



= Ø 5 mm +

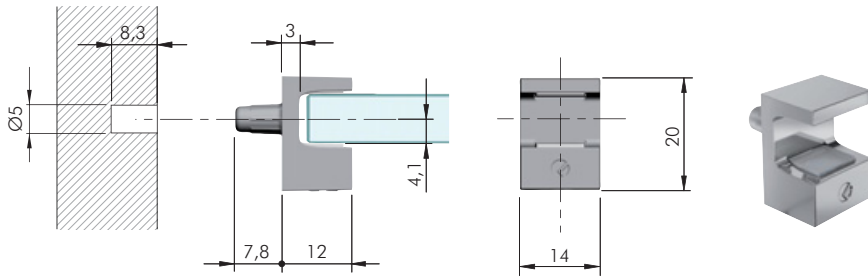
= 5 - 6 mm = PZ2

ZA SRn ST = 1000 pcs.



16113040YA

16113040KB



= Ø 5 mm +

= 8 mm = PZ2

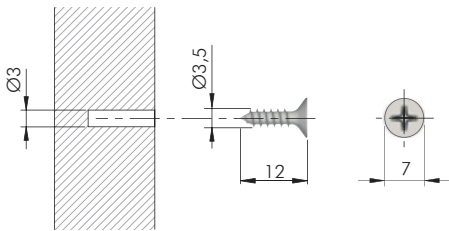
ZA SRn ST = 1000 pcs.



16114040YA

16114040KB

KRISTAL FIXING ACCESSORIES



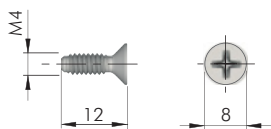
= Ø 3 mm

= PZ2

ST = 10.000 pcs.



60101380ZN

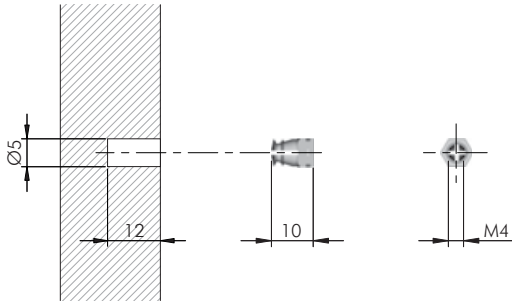


= M4 = PZ2

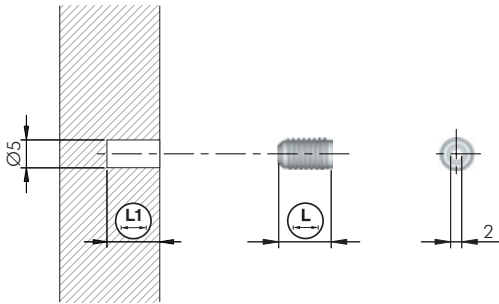
ST = 2000 pcs.



60305040ZN



= Ø 5 mm	= M4
BR	= 20.000 pcs.
123	
20502021HL	



= Ø 5 mm		
EPn	= 5000 pcs.	
123		
20302020AA	L 9,5	L1 11,5