



**Un!ca**

***SALICE***



# Un!ca



The Unica full extension concealed runner combines Smove decelerated closing action with both traditional opening and Push self-opening for handle-less furniture. The fully integrated operating system is completely mechanical and therefore does not require a power source.

The runner is available in two versions:

- fixed to the drawer by locating pin (see page 20)
- fixed to the drawer by clip (see page 22)



## Handle-less opening

Push the frontal to open the drawer.



The drawer opens approximately 5 - 10 cm.



Open the drawer to access the inner space.



Open drawer.



Closing with decelerating effect.



---

## Opening with handle

Pull the handle to open the drawer.



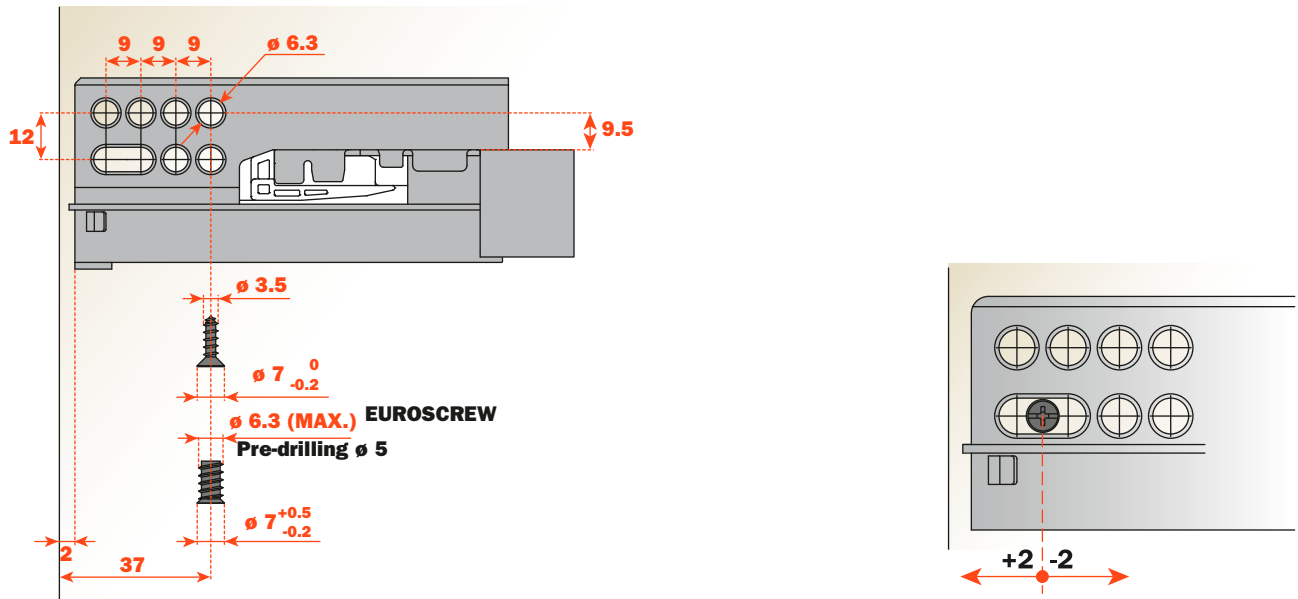
Open drawer.



Closing with decelerating effect.

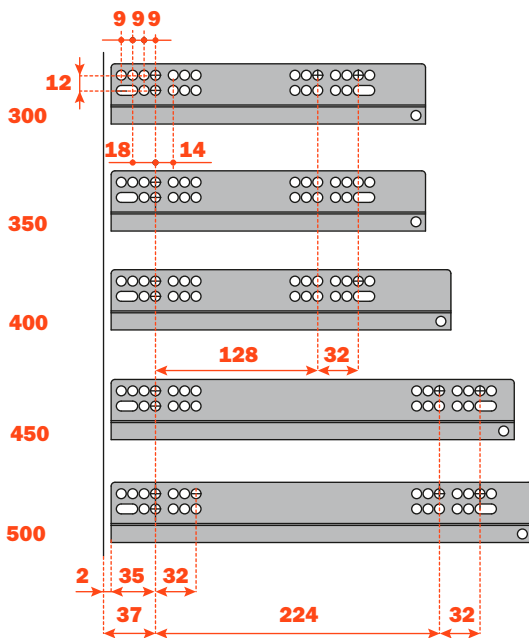


**Fixing full-extension runner on cabinet side.**

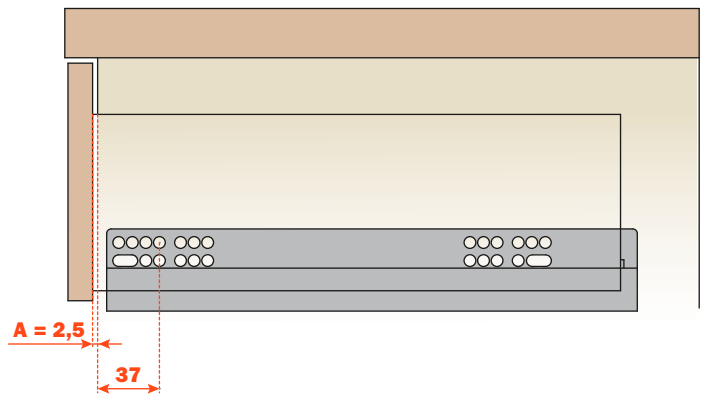


The oval slot allows the easy alignment of drawer frontals particularly in multi drawer and Push applications.

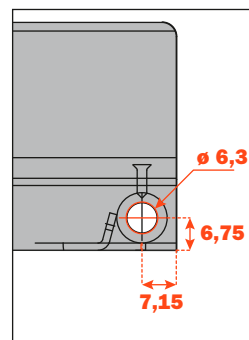
**Drilling positions for runner on cabinet side. Full-extension**



For the function Push is required an A value = 2,5 mm. This value is obtained by placing the runner at 37 mm from the edge of the cabinet.



Detail of the rear additional fixing hole





## Drawer setting

### Drawer setting: abbreviations

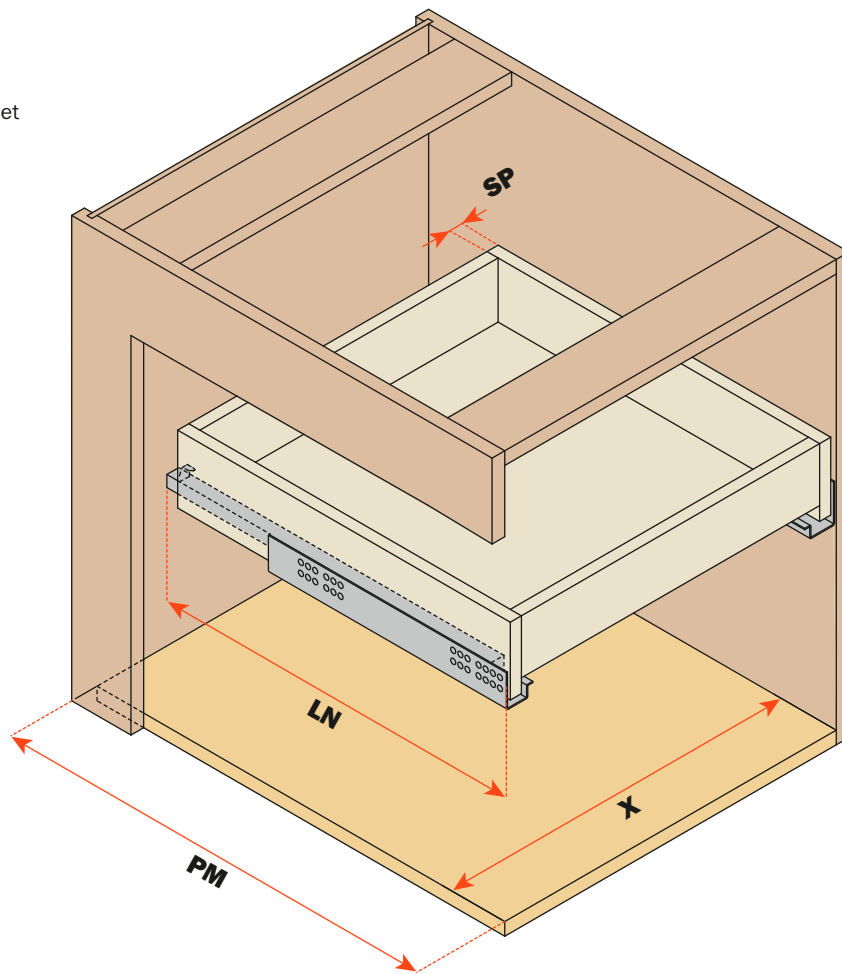
#### Chest of drawers

**SP** = Thickness of the drawer

**LN** = Nominal runner length

**PM** = Depth of the cabinet

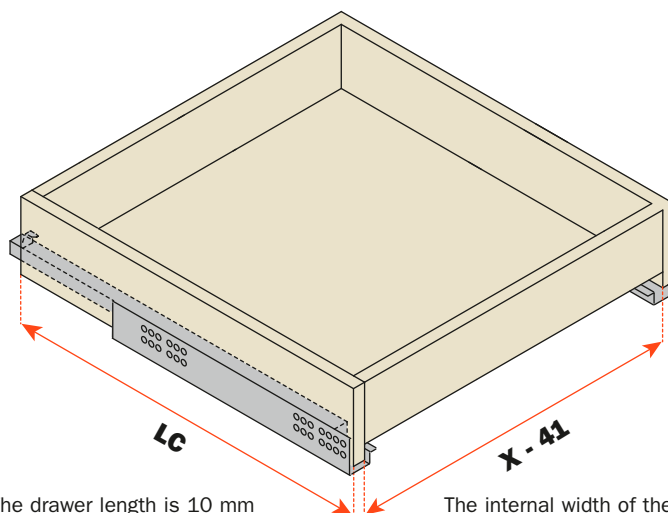
**X** = Internal width of the cabinet



#### Drawer dimensions

**LC** = Runner length - 10 mm

**X - 41** = Internal width of the drawer

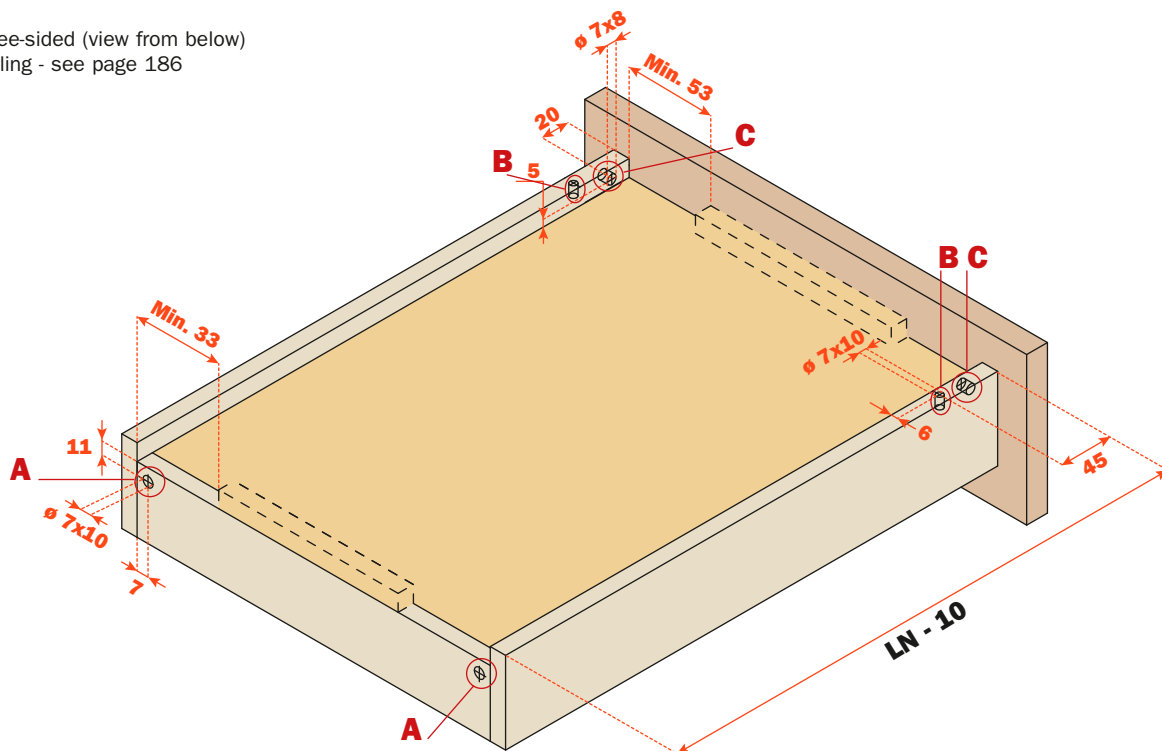


The drawer length is 10 mm shorter than the runner length

The internal width of the drawer is 41 mm less than the internal width of the cabinet

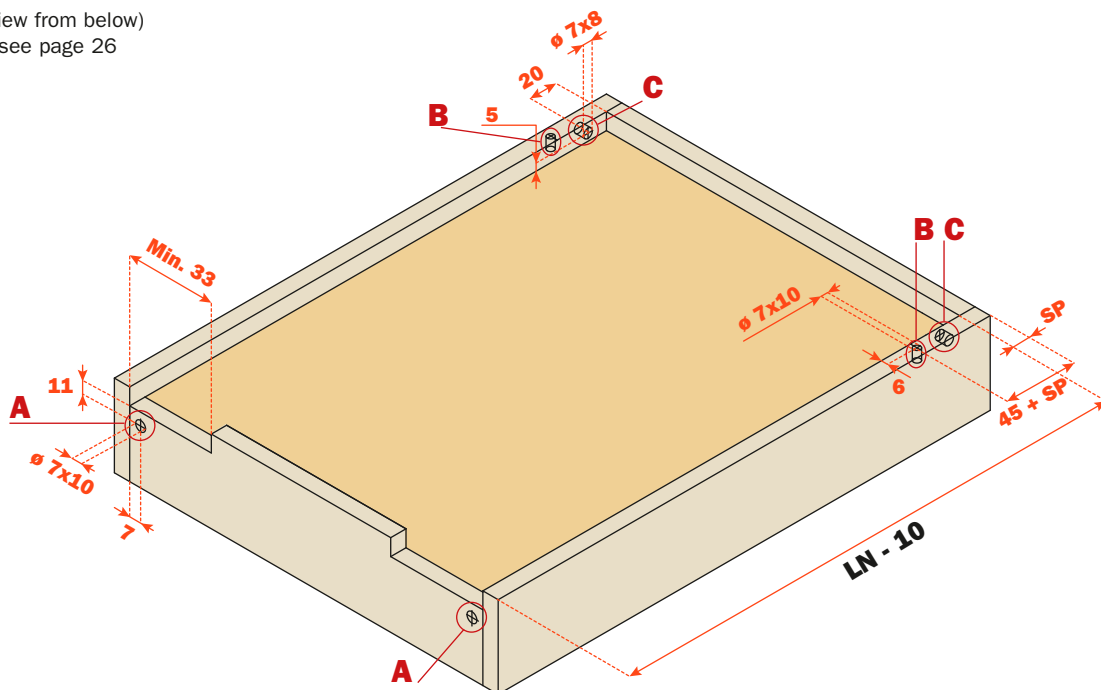
**Drawer drilling**

Drawer with frontal - three-sided (view from below)  
 Template for drawer drilling - see page 186



**Drawer drilling**

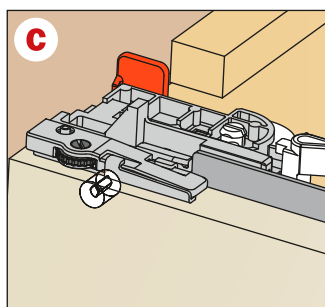
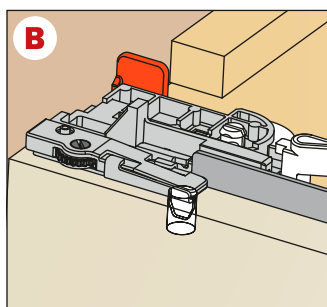
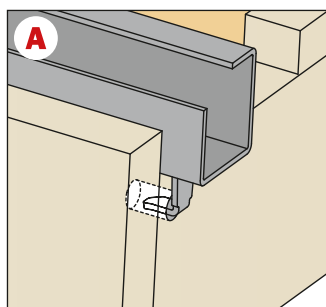
Internal drawer - four-sided (view from below)  
 Template for drawer drilling - see page 26



Rear hook

drawer locating pin

security pin



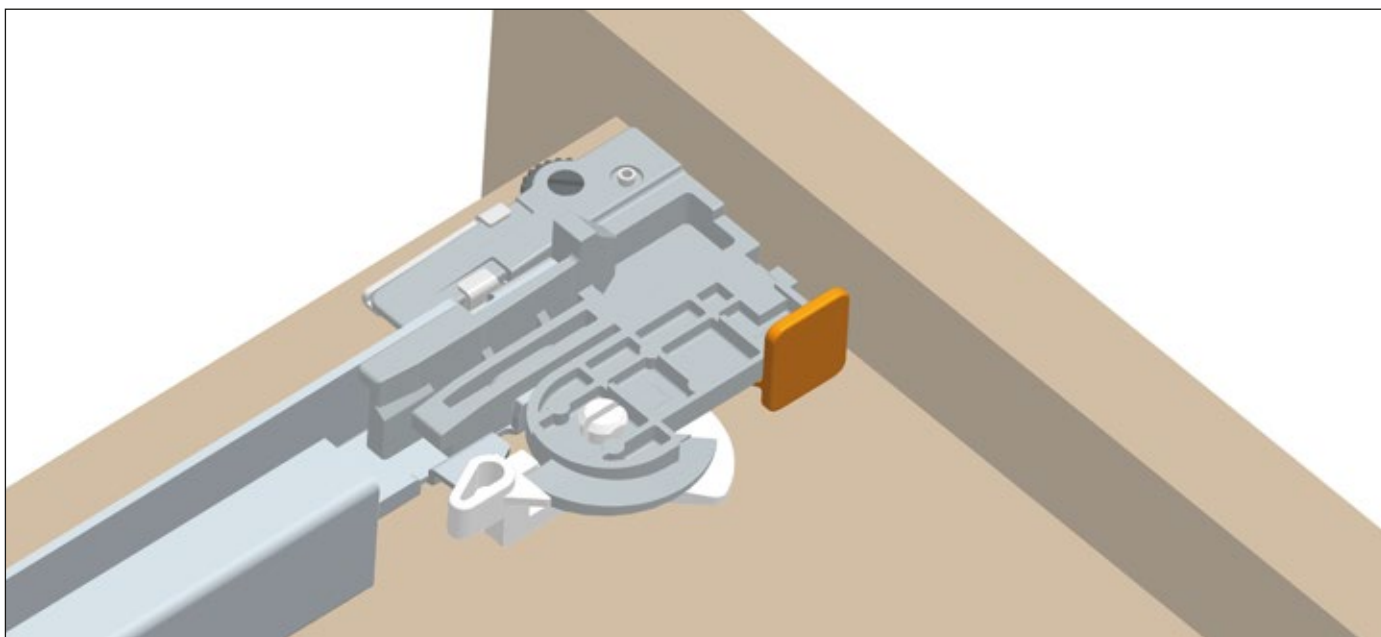
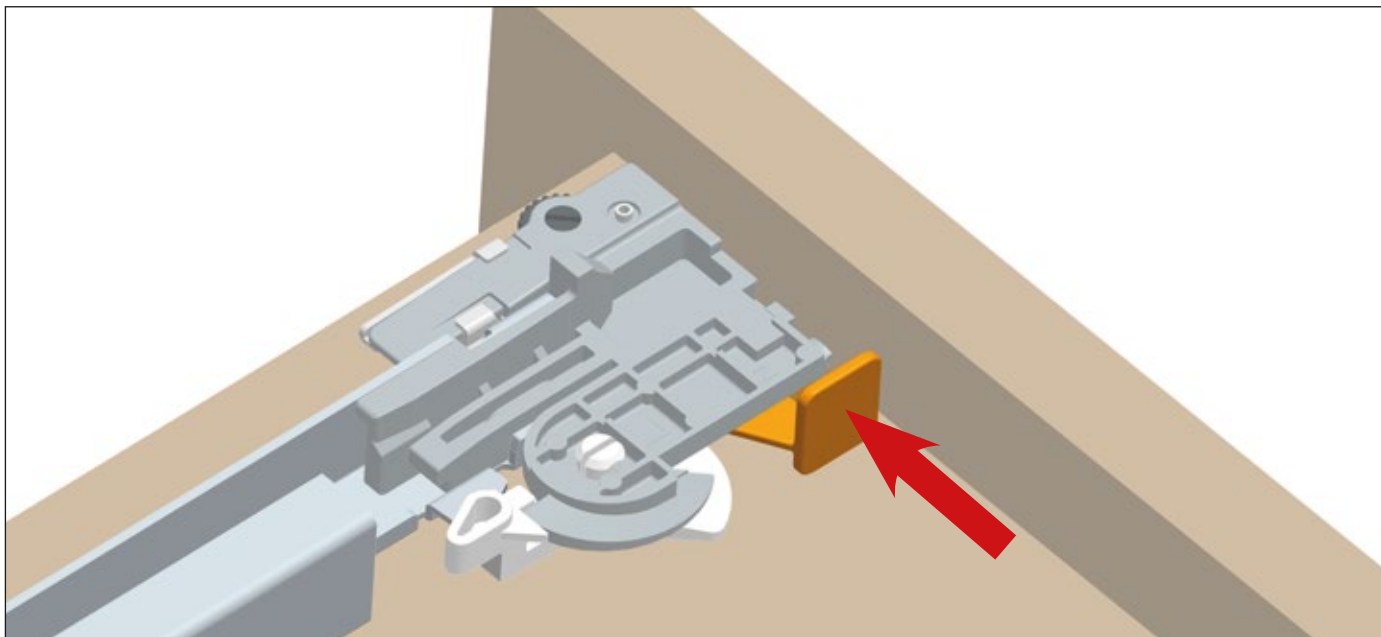


### Fixing of the drawer security pin

Available on all runner versions

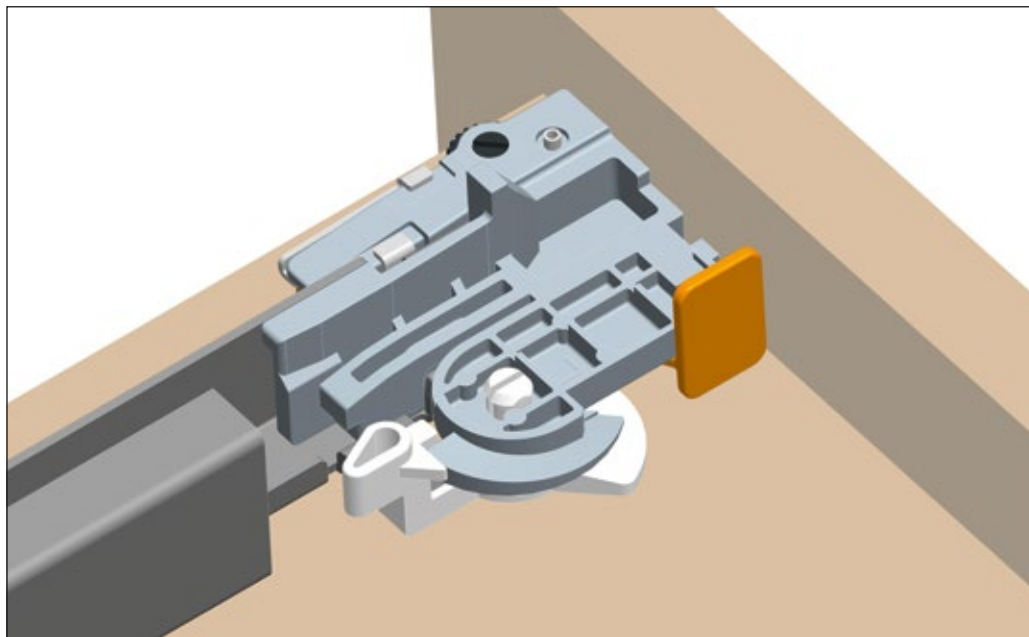
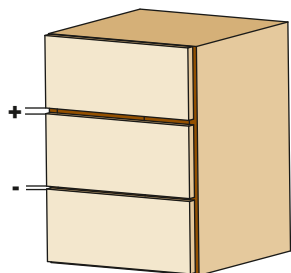
This operation is tool free

The device locks the drawer onto the runners

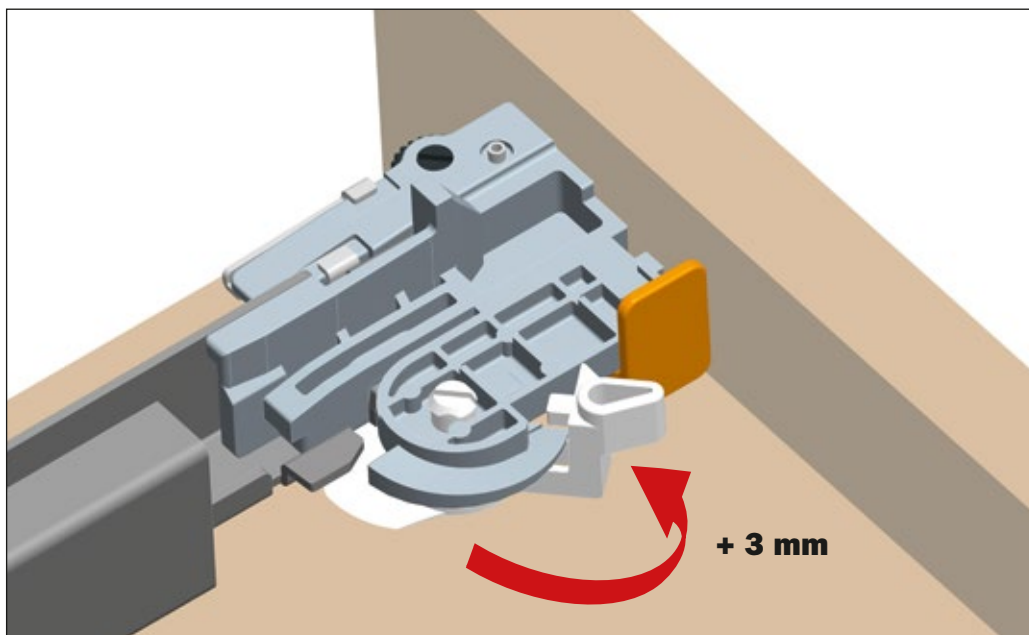
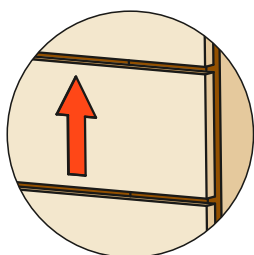
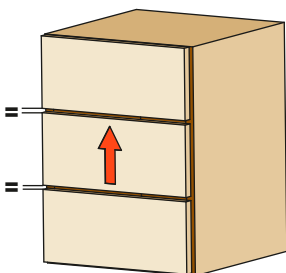


### Height adjustment + 3 mm

Initial position of the lever for the height adjustment.



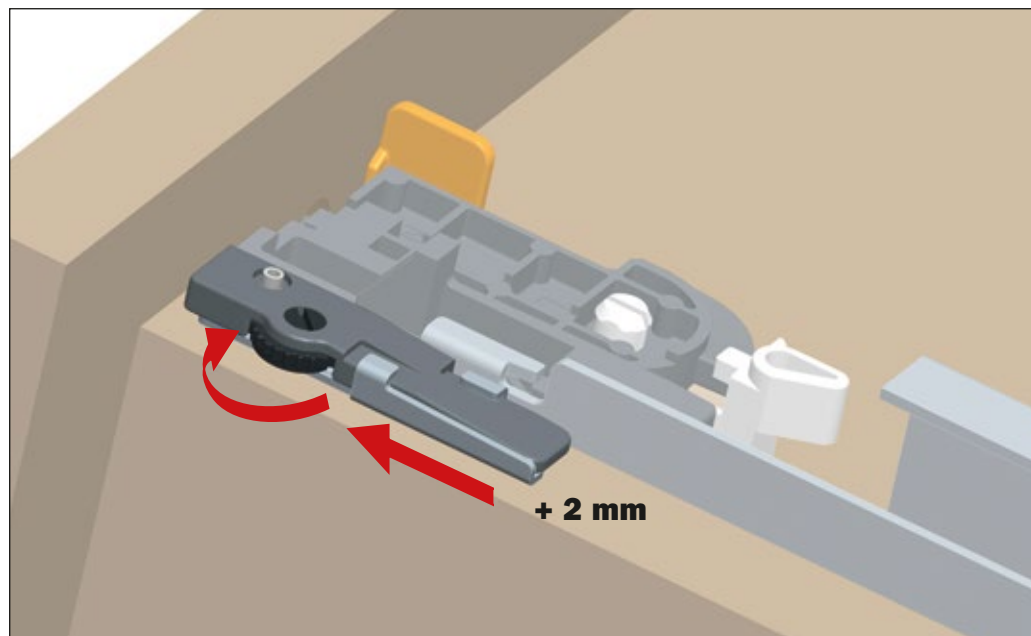
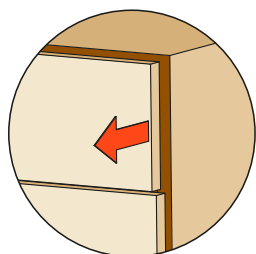
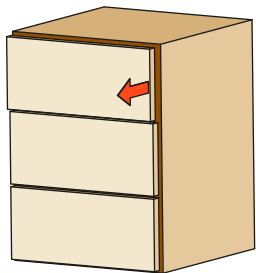
Turn the lever towards the front of the drawer to achieve the height adjustment.  
This operation is tool free.



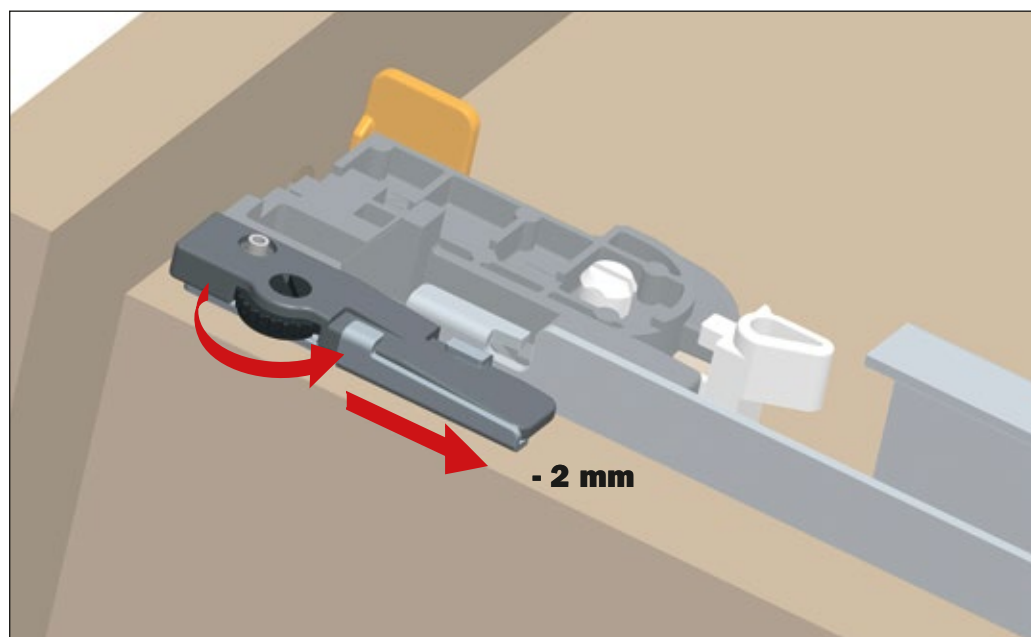
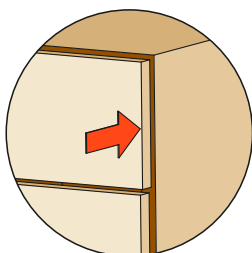
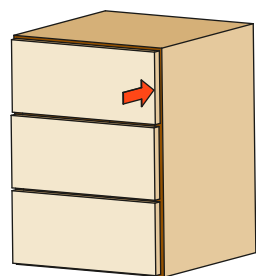
## Pin-fix clip - adjustments

### Depth adjustment + 2 mm - 2 mm

Rotate the black wheel towards the front of the drawer to increase the gap between the front and the side.  
This operation is tool free.

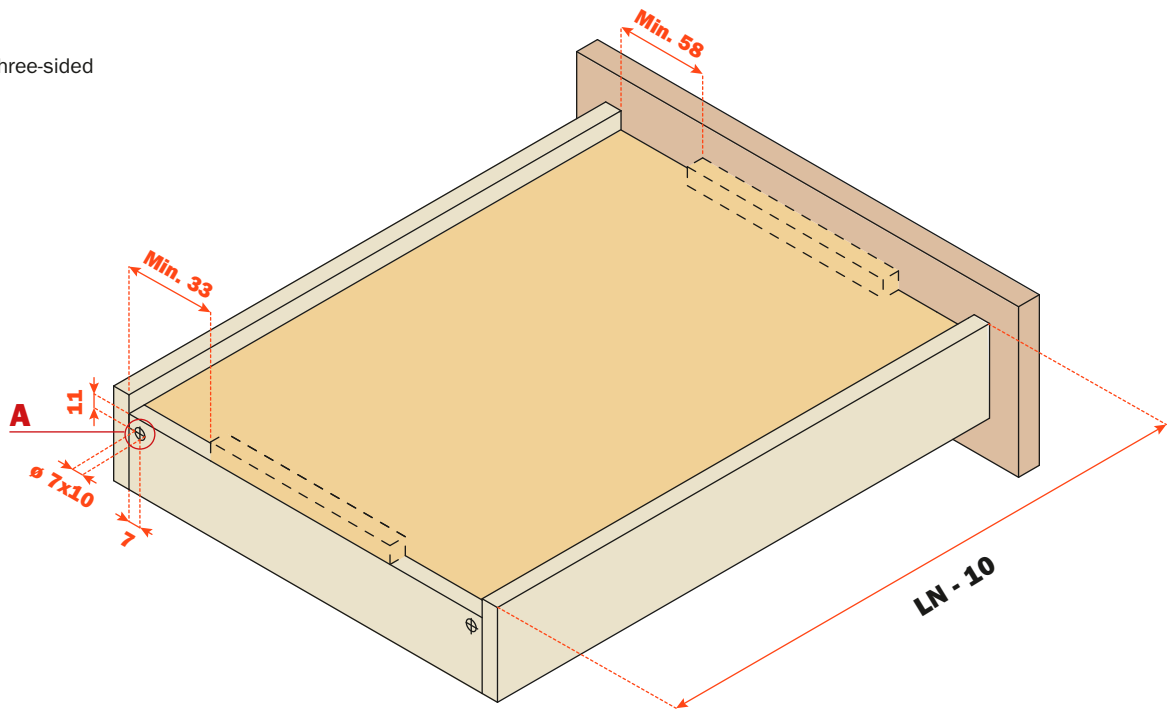


Rotate the black wheel towards the back of the drawer to reduce the gap between the front and the side.  
This operation is tool free.



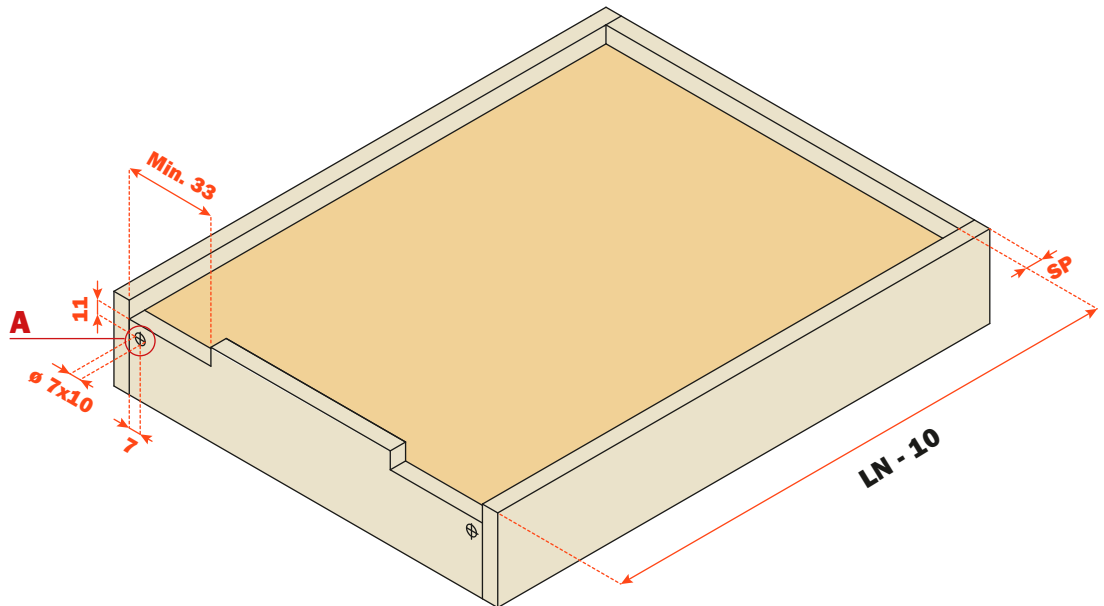
## Drawer drilling

Drawer with frontal - three-sided  
(view from below)

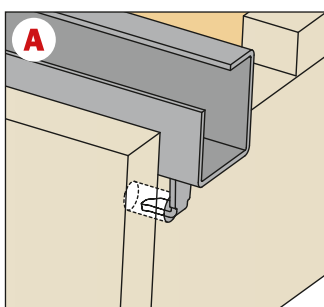


## Drawer drilling

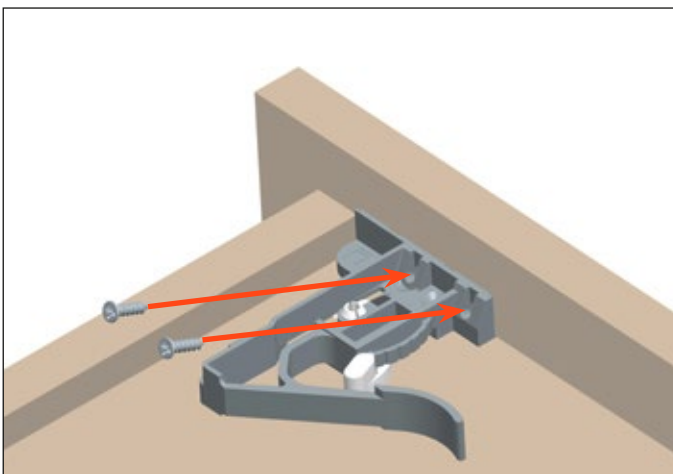
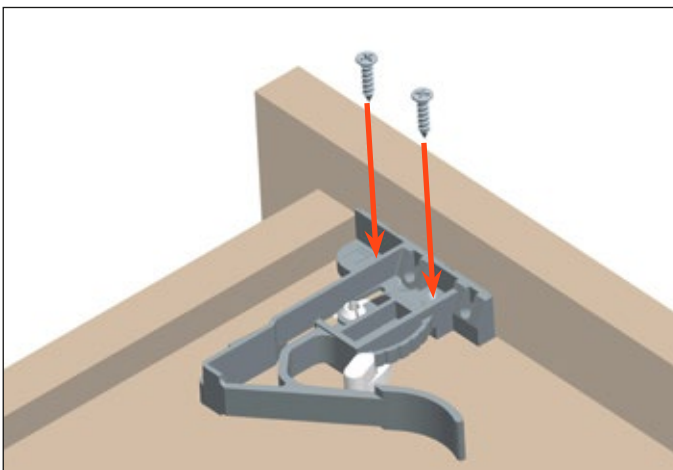
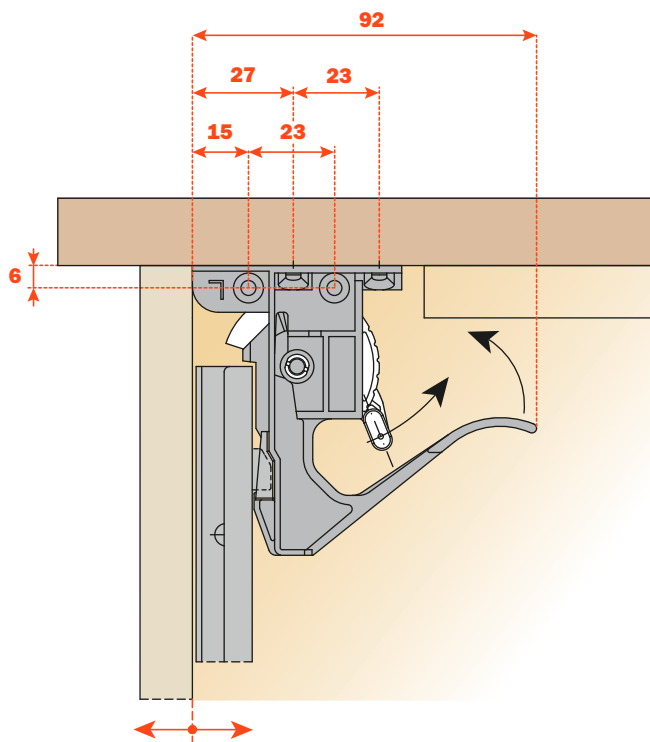
Internal drawer - four-sided  
(view from below)



Real hook

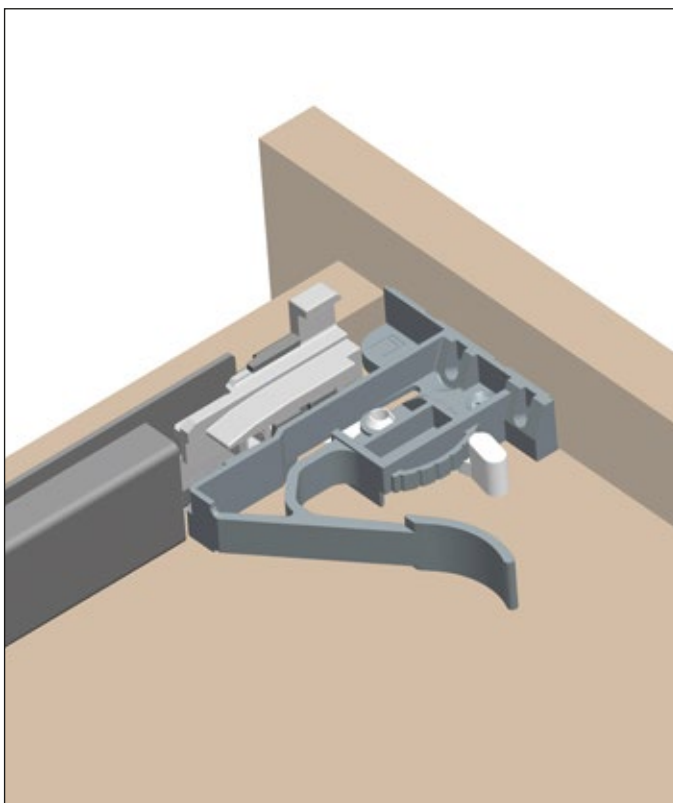
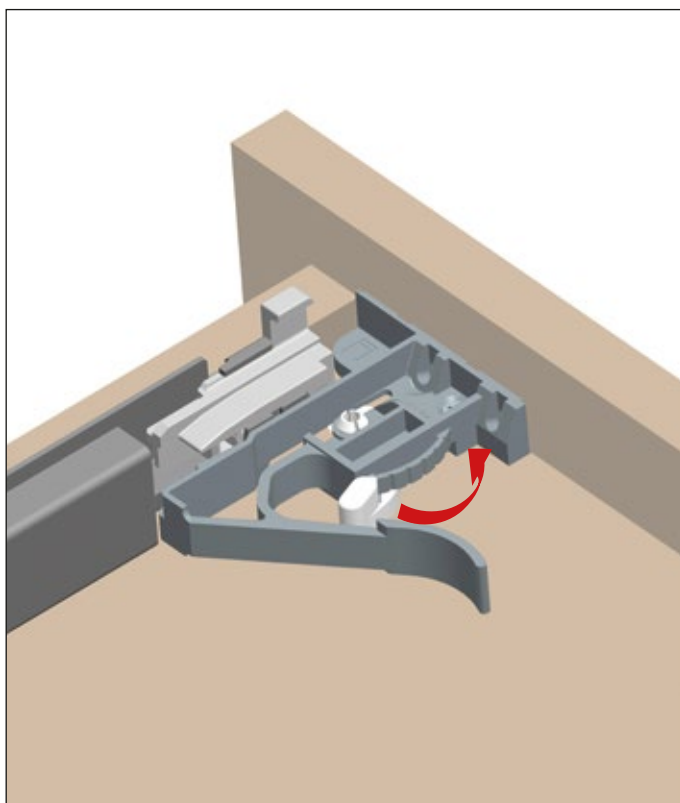


## Clip fixing



## Drawer adjustment

Drawer height adjustment (+ 2,5 mm) using the lever indicated



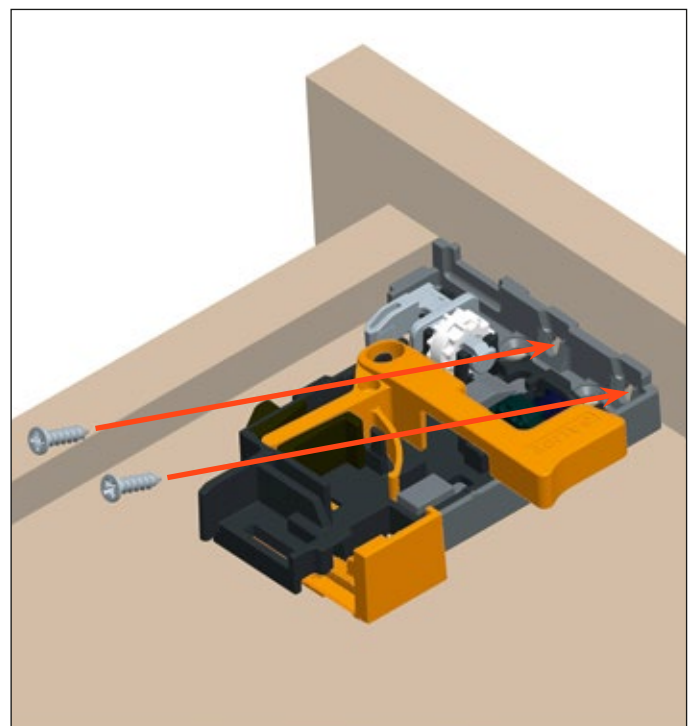
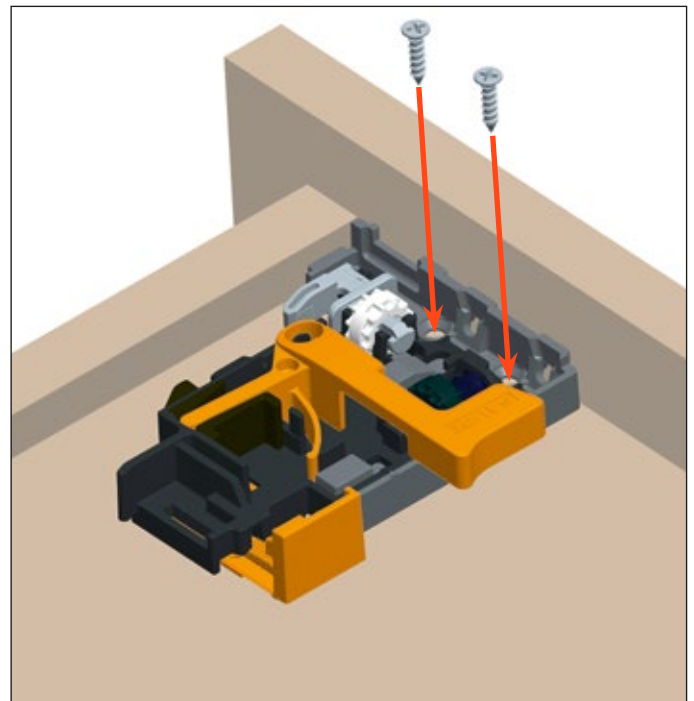
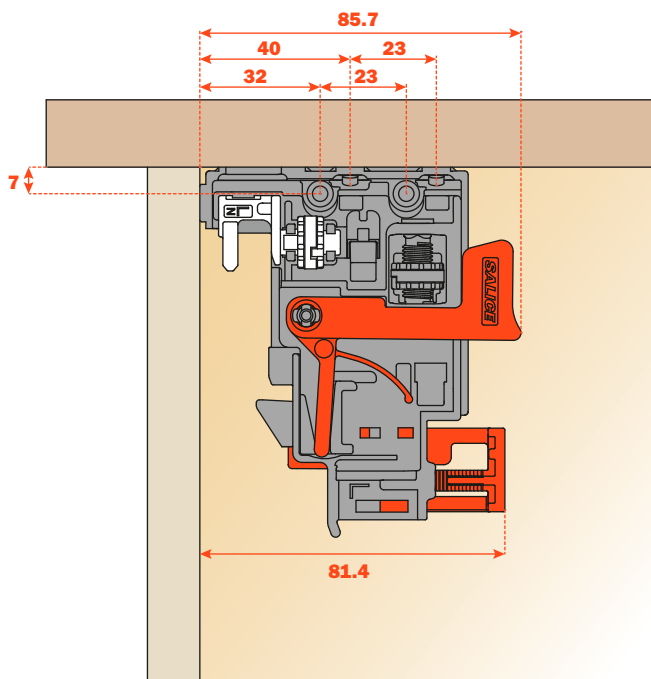
- The 3 way adjustment allows to:
- align the drawers between them;
  - align the drawers with the cabinet.

### Features and benefits of the clip:

- for all versions of full-extension runners
- tool free 3 way adjustment
- patented removal system of the drawer, from both the front and the sides of the drawer
- clip manufactured in Carbon Fibre rich material for light weight, strength and rigidity

### Clip assembly

Position the left and the right clip at the front of the drawer.  
Fix with the screws on the bottom or on the front of the drawer as indicated in the images below.

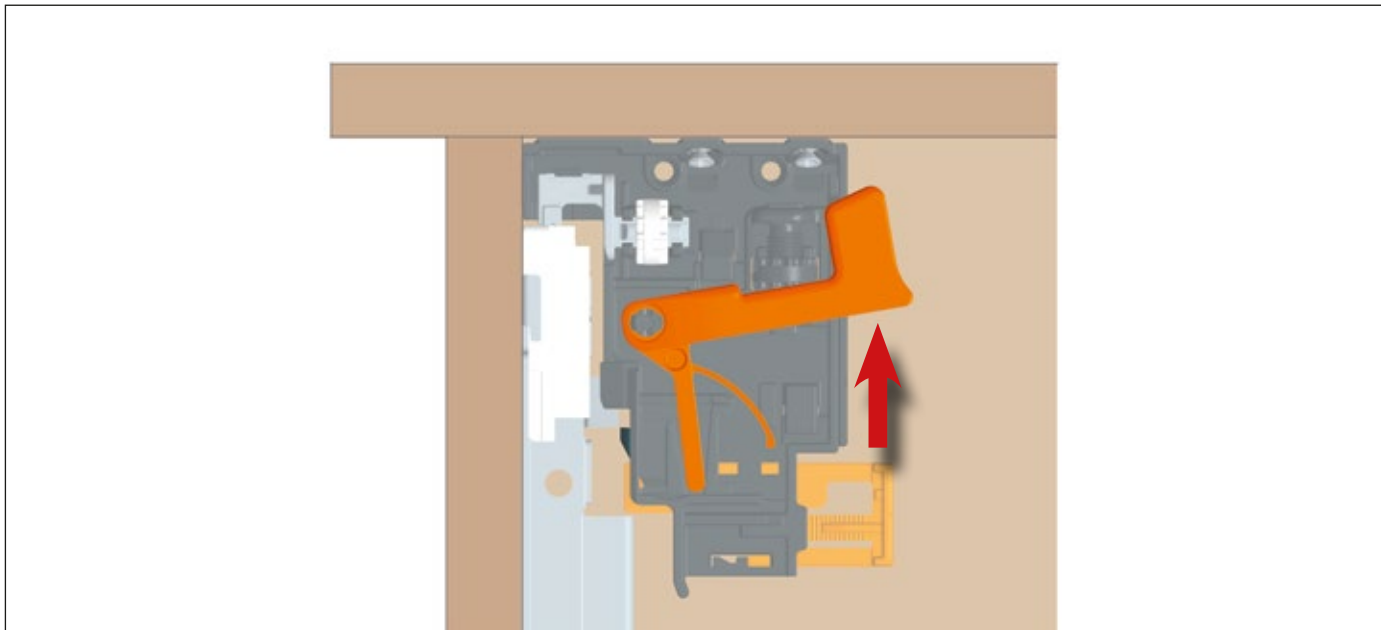




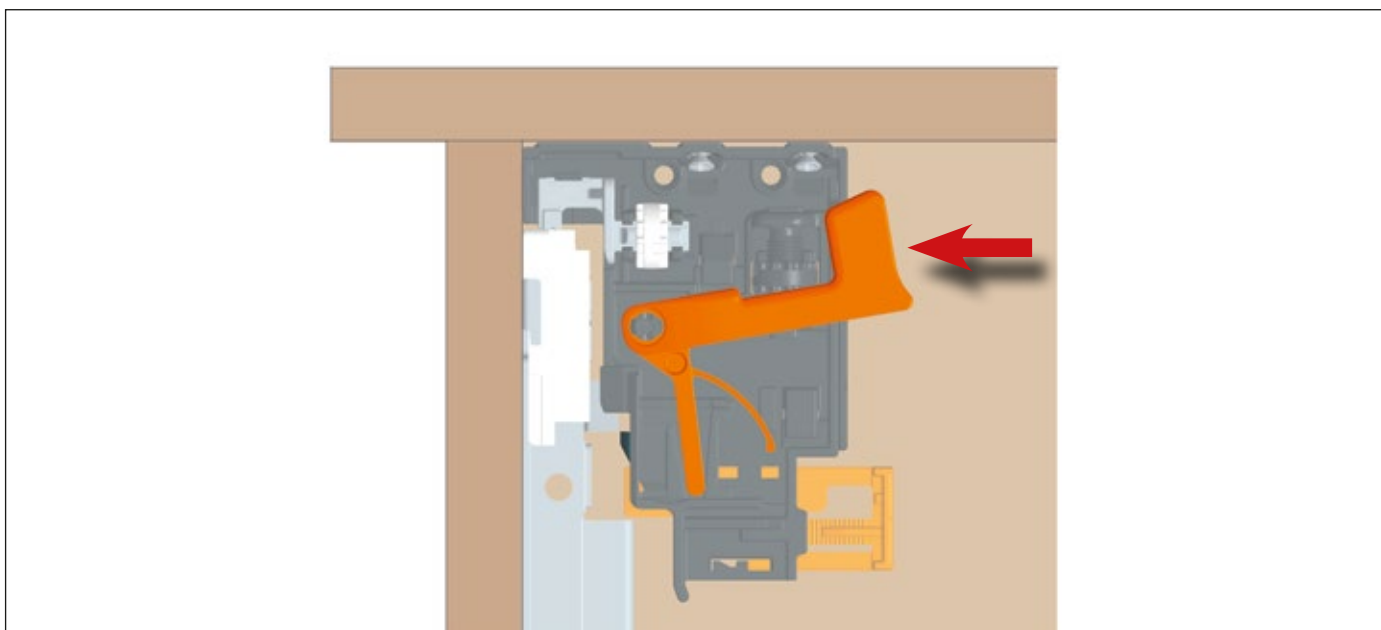
### 3 way adjustable clip - Removal

The drawer can be removed operating from both the front and the sides.

**Removal from the front:** position the hands under the front of the drawer and operate on the orange levers, as indicated in the drawing, sliding the drawer forward.



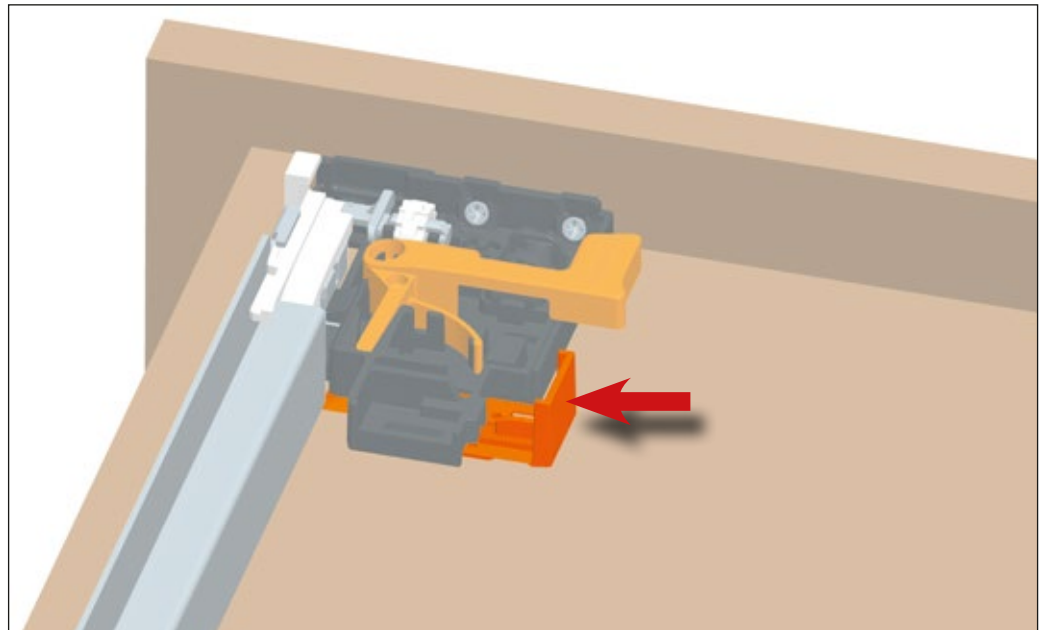
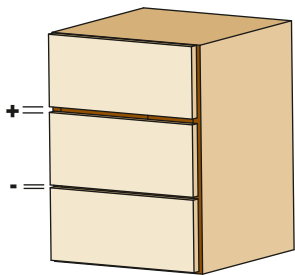
**Removal from the side:** position the hands under both sides of the drawer and operate on the orange levers, as indicated in the drawing, sliding the drawer forward.



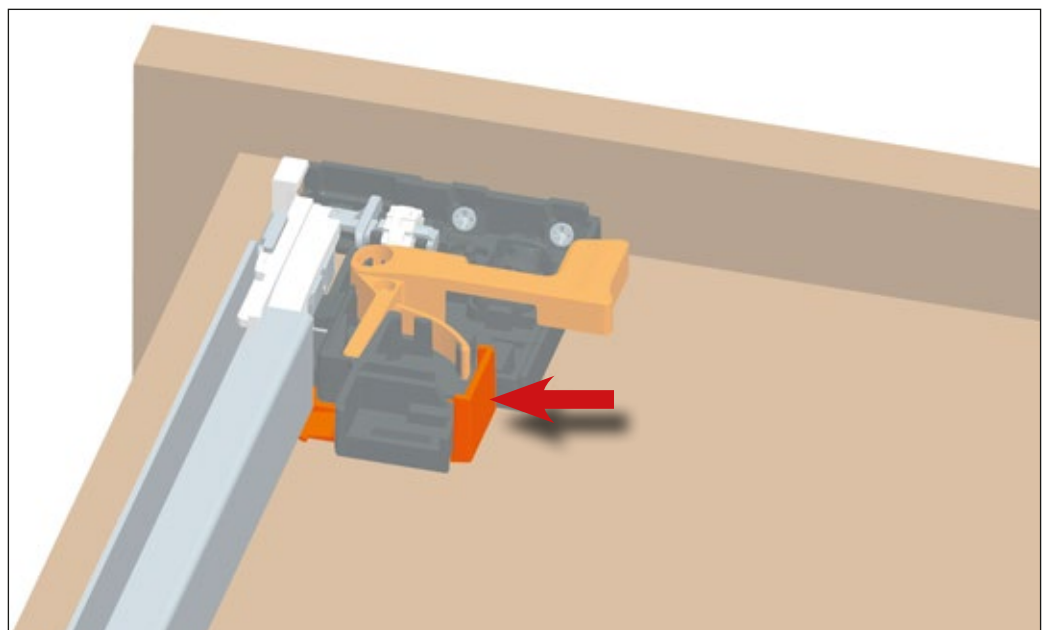
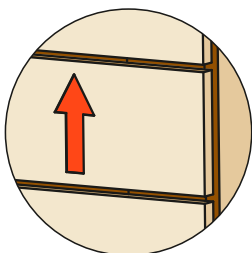
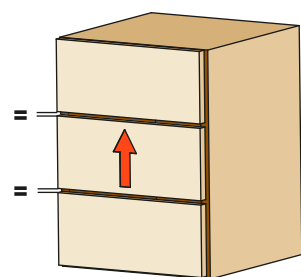


**Height adjustment + 2.5 mm**

Initial position of the lever for the height adjustment

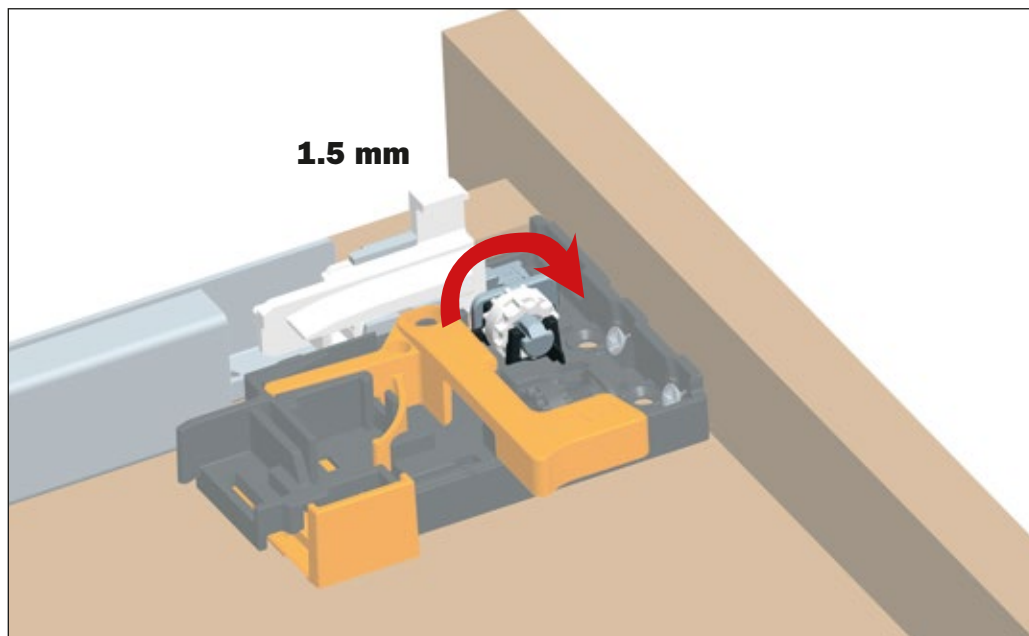
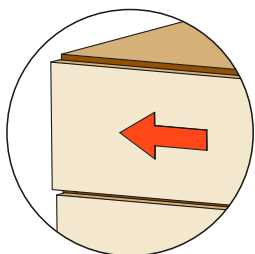
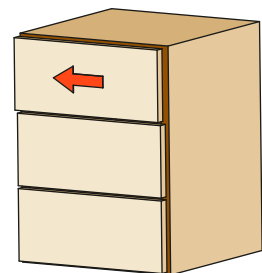


Push the lever towards the outside of the drawer to achieve the height adjustment.  
This operation is tool free.

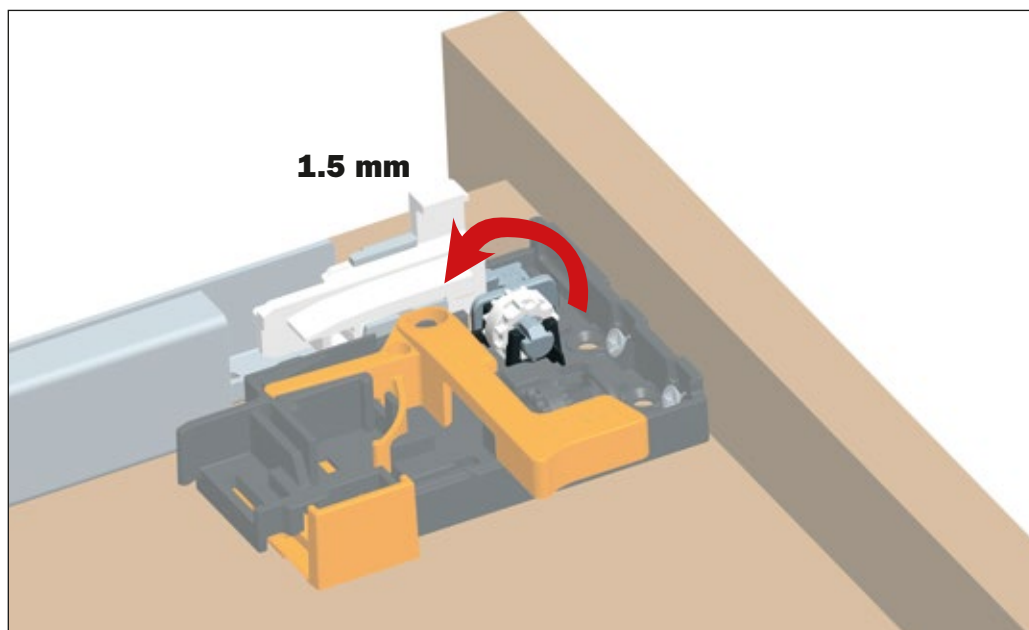
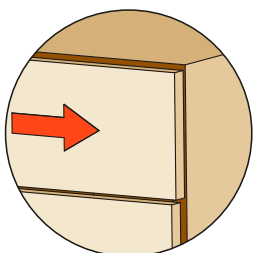
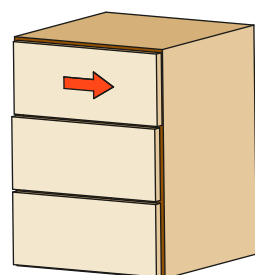


## Sideways adjustment + 1.5 mm - 1.5 mm

Rotate the white wheel towards the front of the drawer to adjust left.  
The clip shows the position 0.  
This operation is tool free.



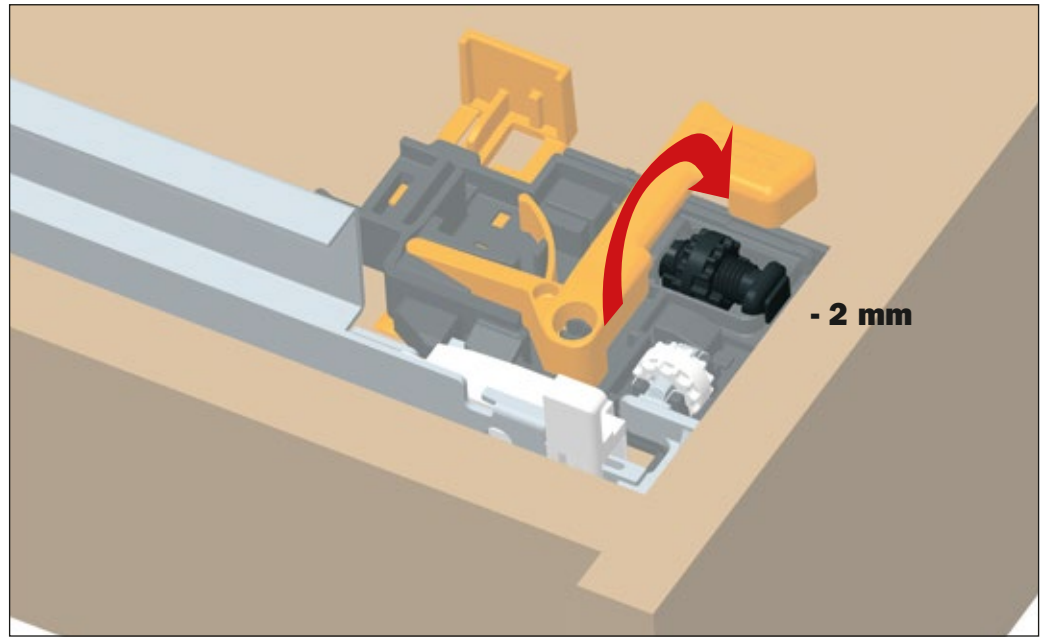
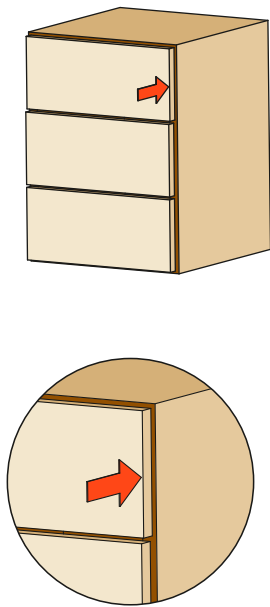
Rotate the white wheel towards the back of the drawer to adjust right.  
The clip shows the position 0.  
This operation is tool free.



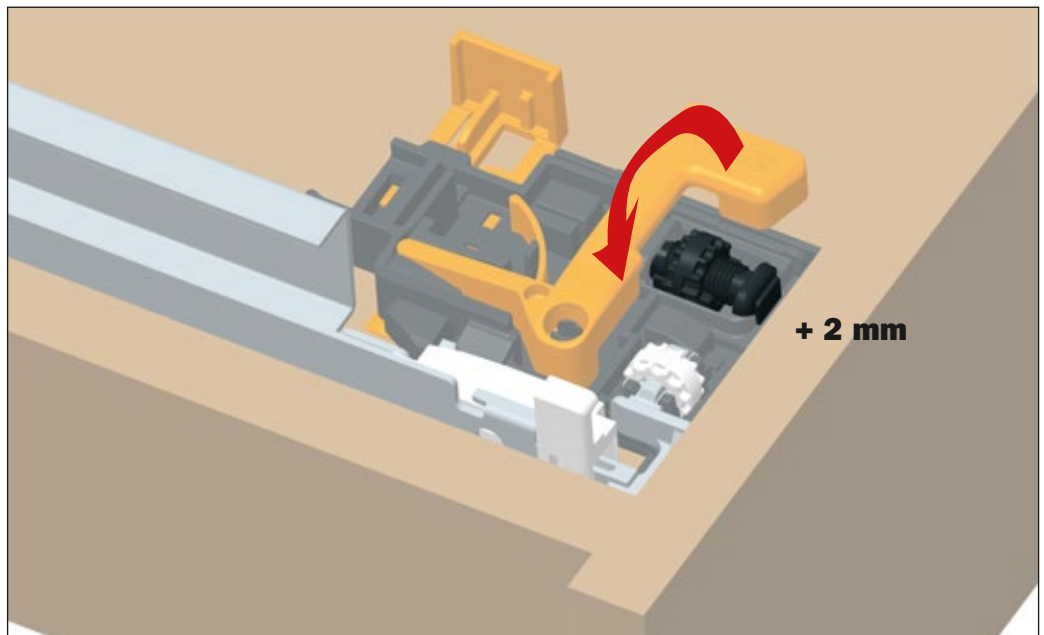
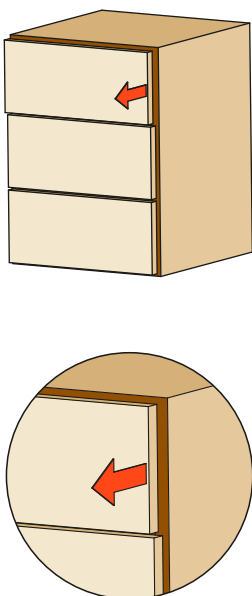
For sideways adjustment, it is recommended that the adjusters on the clips are operated in the same direction, in order to maintain the correct alignment and movement of the runners.

**Depth adjustment + 2 mm - 2 mm**

Rotate the black wheel towards the inside of the drawer to reduce the gap between the front and the side.  
The clip shows the position 0.  
This operation is tool free.

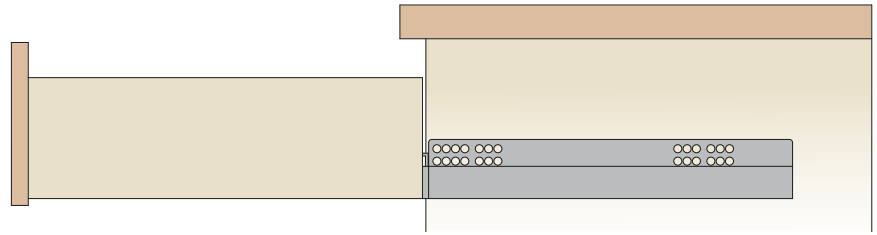


Rotate the black wheel towards the outside of the drawer to increase the gap between the front and the side.  
The clip shows the position 0.  
This operation is tool free.



**Full-extension**

Drawer length = extension



**Industrial packing = 20 pairs**

**Clip version**

Pallet: - length from 300 to 400 mm = 300 pairs  
 - length from 450 to 500 mm = 280 pairs

**Pin version**

Pallet: - length from 300 to 400 mm = 300 pairs  
 - length from 450 to 500 mm = 280 pairs



**Clip part number 1 0 710 00 010 1 0 0**



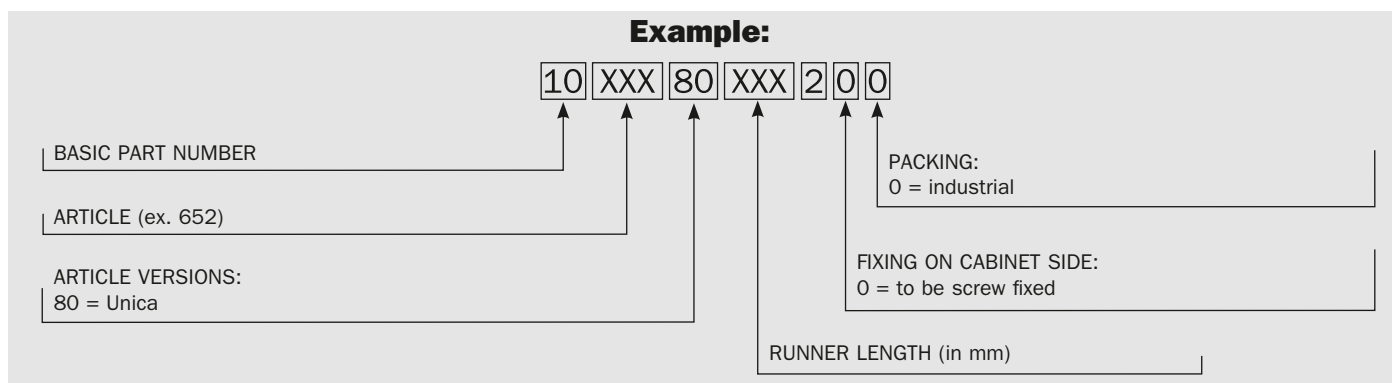
Packing = 100 pairs

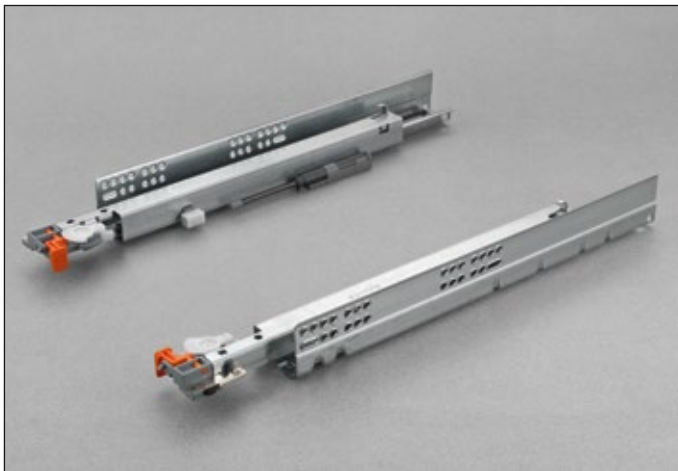
**Clip part number 1 0 750 00 010 1 0 0**



Packing = 100 pairs

**Part number composition - runners**





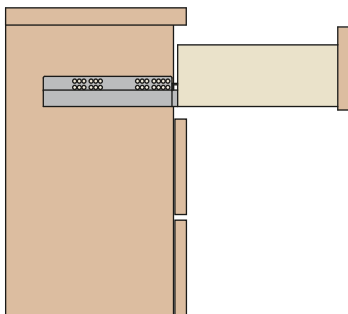
**Full-extension runner system fixed to the drawer by locating pin. The Push self-opening system for handle-less drawers is fully integrated into the runner.**

**A slight pressure on the drawer frontal is sufficient for the drawer to self-open.**

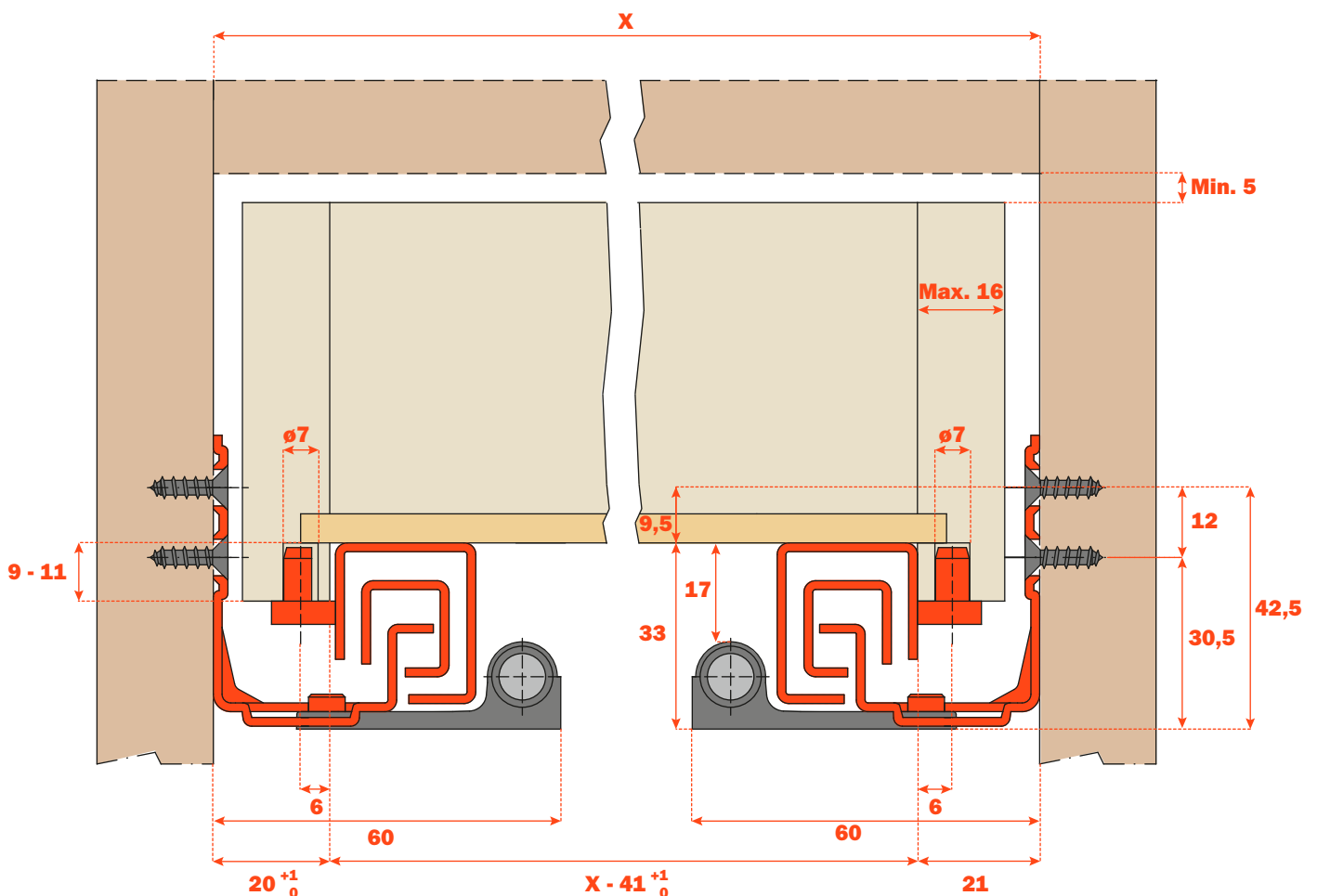
**The Smooth decelerated closing action is also fully integrated into the runner.**

#### Product features

- Safety system that secures the drawer to the runner.
- Drawer height adjustment +3 mm and depth adjustment  $\pm 2$  mm.
- The drawer is maintained parallel with the cabinet side during opening.
- Drawer fixing without screws.
- Finish: bright zinc-plated.

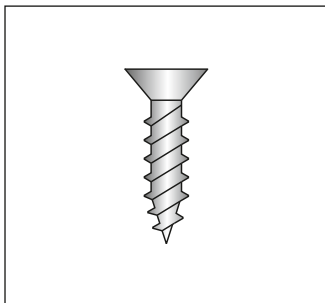


#### Dimensions





## Part number

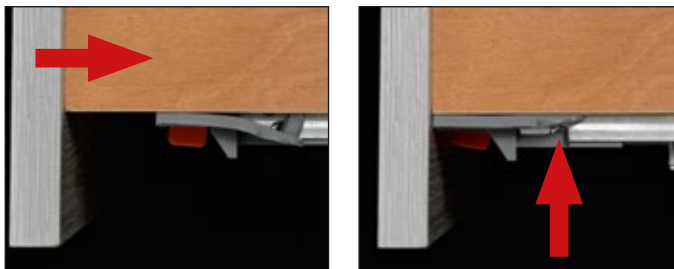


To be screw fixed  
Screw TSP  $\varnothing$  3,5 mm

BASIC PART NUMBER	RUNNER LENGTH (LN)	=	MIN. DEPTH OF THE CABINET (PM)
1 0 652 80 300 2 0 0	300		310
1 0 652 80 350 2 0 0	350		360
1 0 652 80 400 2 0 0	400		410
1 0 652 80 450 2 0 0	450		460
1 0 652 80 470 2 0 0	470		480
1 0 652 80 500 2 0 0	500		510

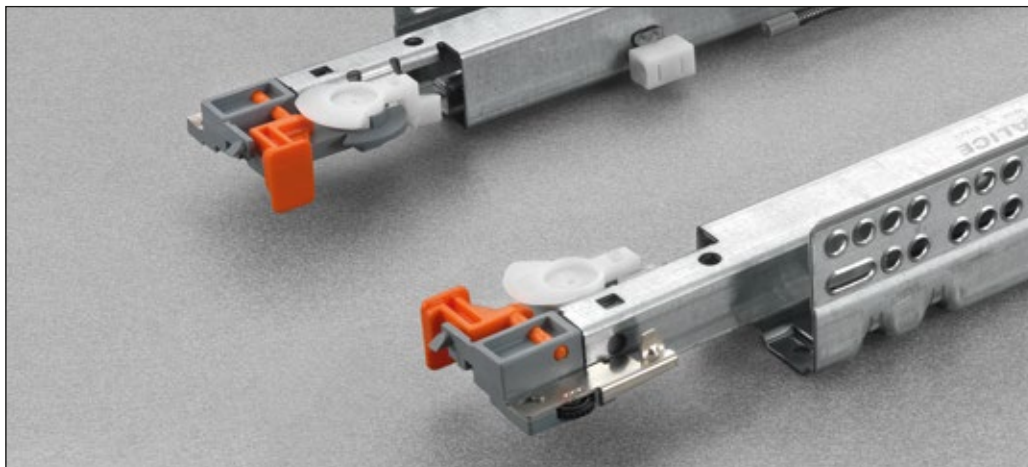
## Fixing the drawer onto the runners

The flexibility of the system enables the locating pin to be engaged simply by placing the drawer onto the runners and closing it.



Detail of the pin-fix clip premounted on the runner, with:

- Tool free height and depth adjustment;
- Safety device to prevent the drawers from turning over;
- Locating pin.



Detail of the integrated systems into the runner:

- Push, which allows the opening of handle-less drawers.
- Smove, which allows the decelerated closing of the drawers.

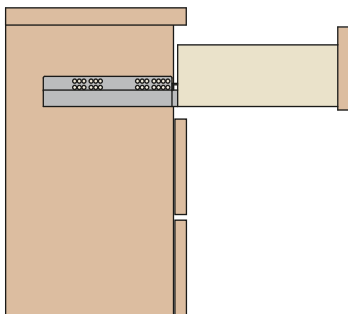




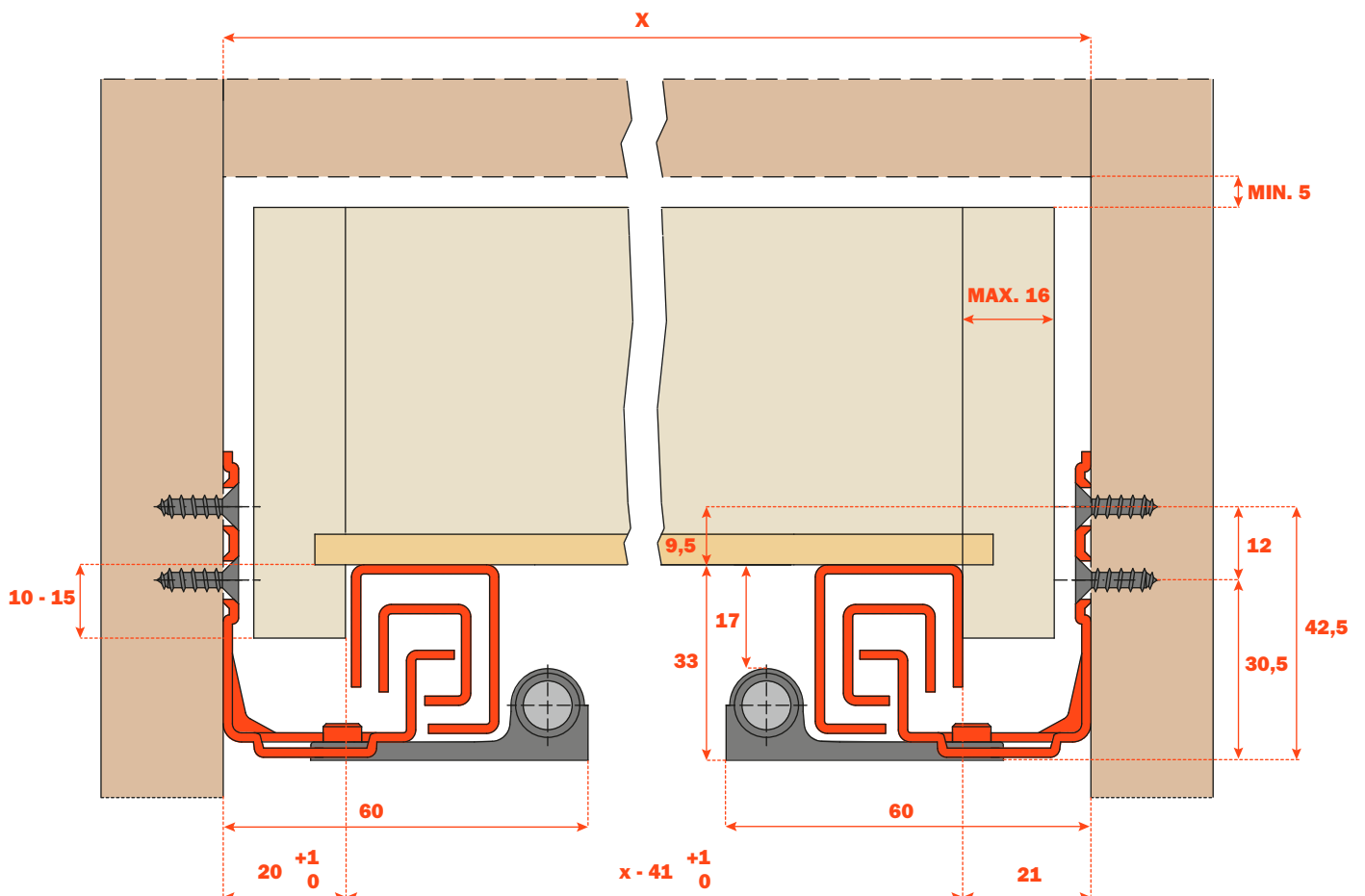
**Full-extension runner system fixed to the drawer by clip.**  
**The Push self-opening system for handle-less drawers is fully integrated into the runner.**  
**A slight pressure on the drawer frontal is sufficient for the drawer to self-open.**  
**The Smooth decelerated closing action is also fully integrated into the runner.**

**Product features**

- Safety system that secures the drawer to the runner.
- Drawer height adjustment +2.5 mm with clip 10 710.
- Drawer height adjustment +2.5 mm, side adjustment  $\pm 1.5$  mm, depth adjustment  $\pm 2$  mm with clip 10 750.
- The drawer is maintained parallel with the cabinet side during opening.
- Finish: bright zinc-plated.

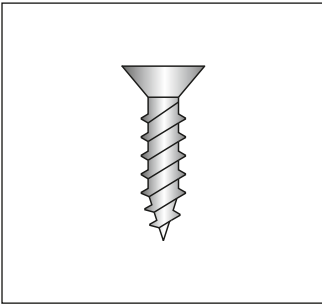


**Dimensions**





## Part number



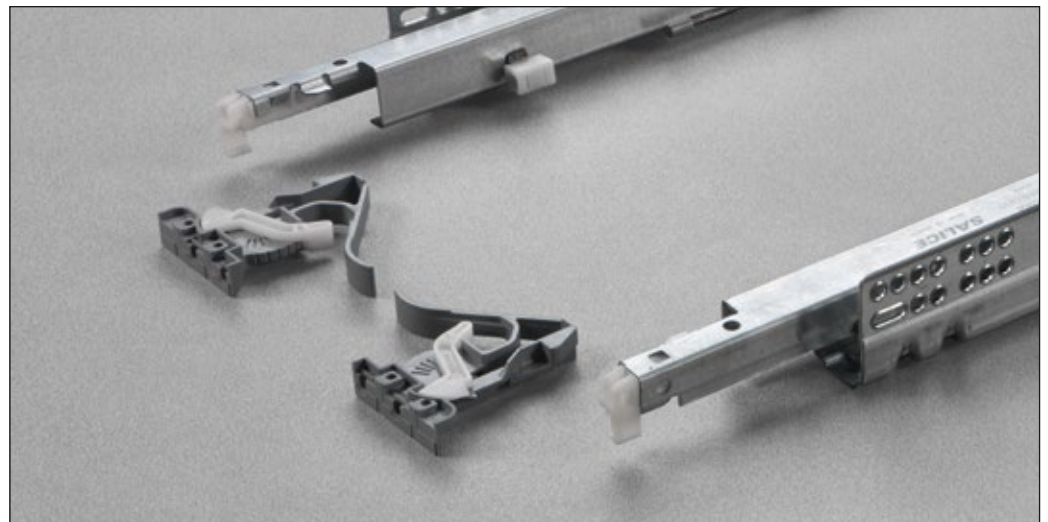
To be screw fixed  
Screw TSP  $\varnothing$  3,5 mm

BASIC PART NUMBER	RUNNER LENGTH (LN)	=	MIN. DEPTH OF THE CABINET (PM)
1 0 655 80 300 2 0 0	300		310
1 0 655 80 350 2 0 0	350		360
1 0 655 80 400 2 0 0	400		410
1 0 655 80 450 2 0 0	450		460
1 0 655 80 470 2 0 0	470		480
1 0 655 80 500 2 0 0	500		510

## Fixing the drawer onto the runners

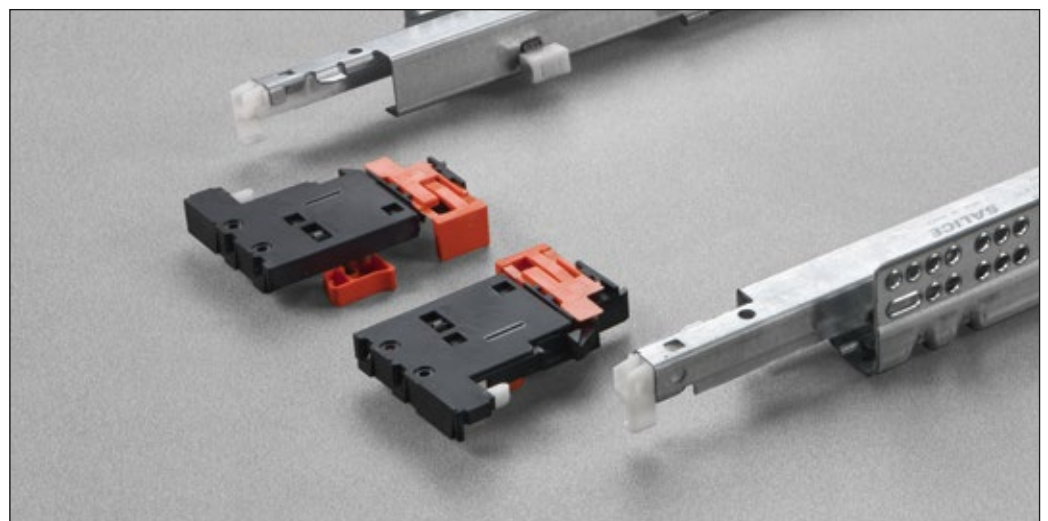
Clip part number **1 0 710** 00 010 1 0 0

Detail of the clip with tool free integrated height adjustment.



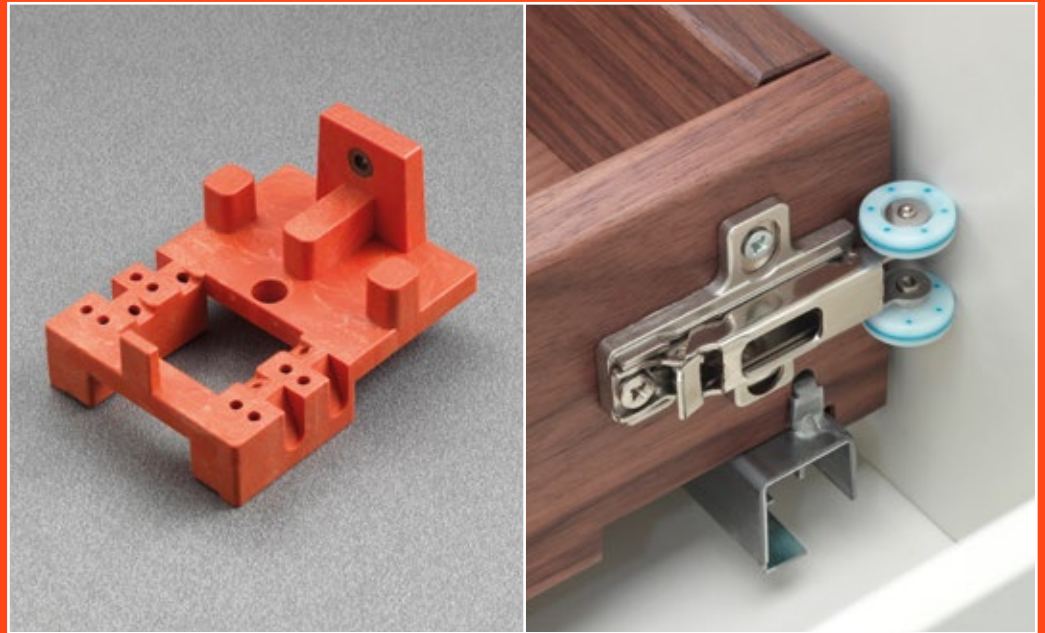
Clip part number **1 0 750** 00 010 1 0 0

Detail of the tool free integrated 3-way adjustment clip (height, depth and side adjustment).

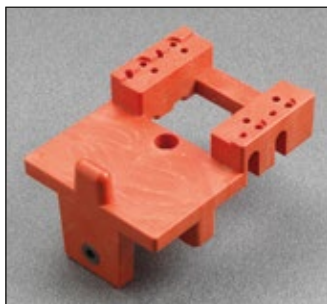
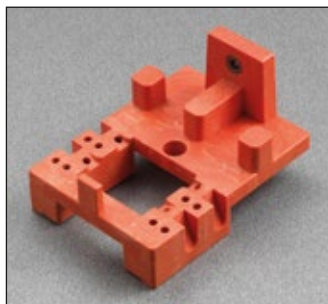




## Accessories



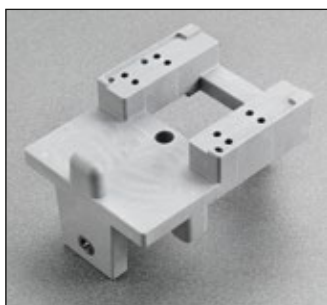
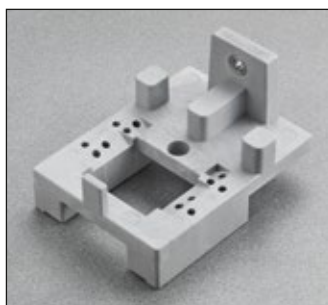
## Drawer drilling templates for Unica runners



199800755009

Template for drawer drilling and 1 way adjustable clip fixing

Clip part number **1 0 710** 00 010 1 0 0



199800755010

Template for drawer drilling and 3 way adjustable clip fixing

Clip part number **1 0 750** 00 010 1 0 0



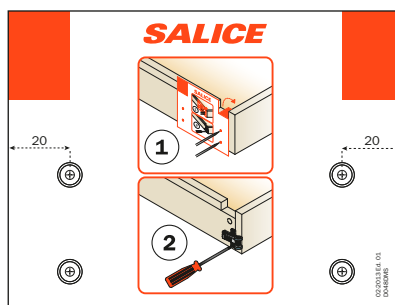
## Stabilizer for drawers



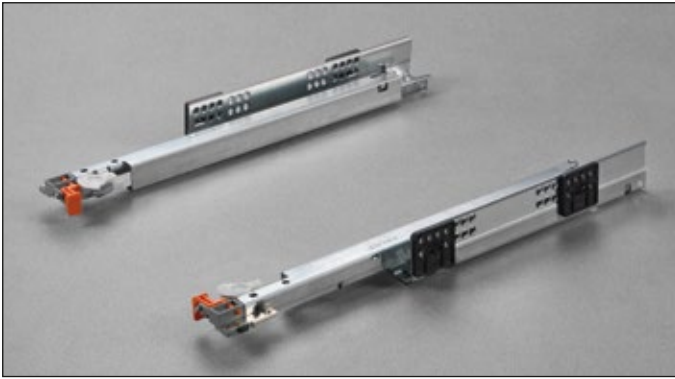
- To be fitted on both right and left sides of the drawer
- Cam adjustment to allow a perfect bearing of the wheels to the cabinet sides
- Combined with Push runners it allows the opening also by pressing the extremities of the drawer
- It improves the overall stability of the drawer

### DATA FOR ORDER

PACKING	PART NUMBER
Envelope with 2 pieces (2 mounting plates, 2 roller carriages and assembly instructions)	6869400000202
Box 300 pieces	6869400000200



## Spacer for Unica runners



Thickness  
4,5 mm



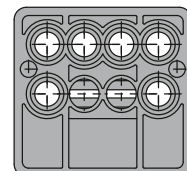
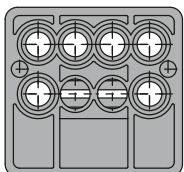
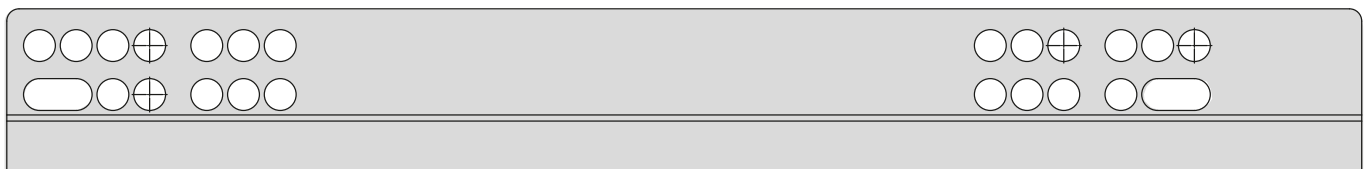
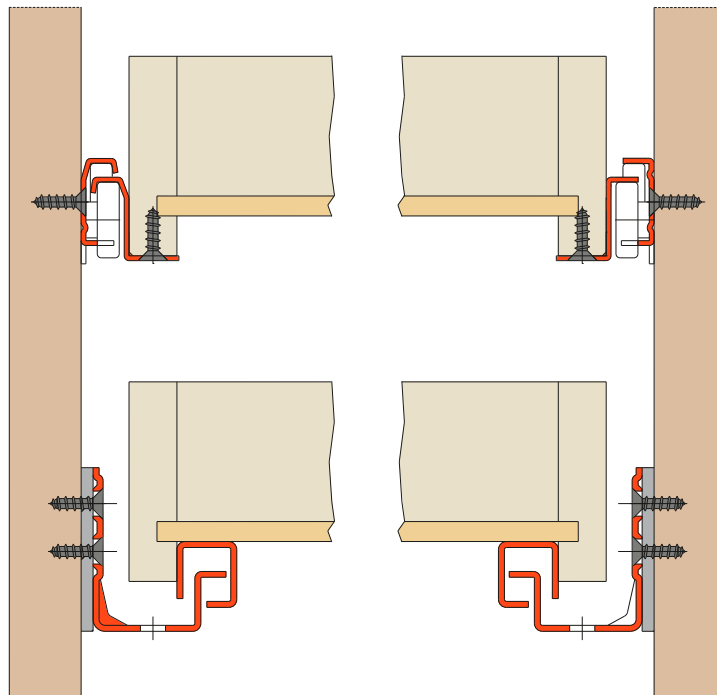
Thickness  
6 mm



### DATA FOR ORDER

Packing: 1 x 800 pieces

DESCRIPTION	PART NUMBER
Spacer 4,5 mm	825104145
Spacer 6 mm	825104160



## **ARTURO SALICE S.p.A.**

VIA PROVINCIALE NOVEDRATESE, 10  
22060 NOVEDRATE (COMO) ITALIA  
TEL. 031 790424  
FAX 031 791508  
info.salice@salice.com  
www.salice.com

### **DEUTSCHE SALICE GMBH**

RUDOLF DIESEL STR. 10  
POSTFACH 1154  
74382 NECKARWESTHEIM  
TEL. 07133 9807-0  
FAX. 07133 9807-16  
info.salice@deutschesalice.de  
www.deutschesalice.de

### **SALICE UK LTD.**

KINGFISHER WAY  
HINCHINGBROOKE BUSINESS PARK  
HUNTINGDON CAMBS PE 29 6FN  
TEL. 01480 413831  
FAX. 01480 451489  
info.salice@saliceuk.co.uk  
www.saliceuk.co.uk

### **DEUTSCHE SALICE GMBH**

VERKAUFSBÜRO NORD  
RINGSTRASSE 36/A30 CENTER  
32584 LÖHNE  
TEL. 05731 15608-0  
FAX. 05731 15608-10  
vknord@deutschesalice.de  
www.deutschesalice.de

### **SALICE AMERICA INC.**

2123 CROWN CENTRE DRIVE  
CHARLOTTE NC. 28227  
TEL. 704 8417810  
FAX. 704 8417808  
info.salice@saliceamerica.com  
www.saliceamerica.com

### **SALICE FRANCE S.A.R.L.**

ROUTE DE GOA ZAC LES 3 MOULINS  
06600 ANTIBES  
TEL. 0493 330069  
FAX. 0493 330141  
info.salice@salicefrance.com  
www.salicefrance.com

### **SALICE CANADA INC.**

4025 SLADEVIEW CRESCENT  
UNIT # 7-9  
MISSISSAUGA, ONTARIO L5L 5Y1  
TEL. 905 8208787  
FAX. 905 8207226  
info.salice@salicecanada.com  
www.salicecanada.com

### **SALICE ESPAÑA, S.L.U.**

CALLE COPÉRNICO, 11  
POLÍGONO INDUSTRIAL  
COLL DE LA MANYA  
08403 GRANOLLERS (BARCELONA)  
TEL. 938 46 88 61  
FAX 938 49 11 97  
info.salice@saliceespana.es  
www.saliceespana.es