

K PUSH TECH

K PUSH TECH is the fully renewed and extended program of automatic opening systems for doors without handles or knobs.

A special inner mechanism provides a very silent, yet powerful utilization, granting a long durability which makes it perfectly suitable for a wide range of doors.

K PUSH TECH is available:

- with buffer, for cabinets using sprung hinges.
- with magnet, for cabinets using unsprung hinges or negative hinges (Highest magnet strength available in the market).

K PUSH TECH program, includes an innovated range of spring strengths and three lengths of the output paths:

Short – 14 mm, Medium – 20 mm, Long – 37 mm.

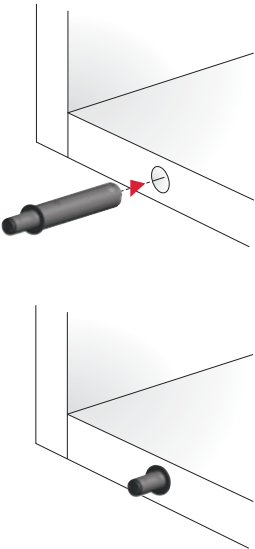
Gap between door and cabinet is reduced: activation gap is 1,4 mm, ring thickness is 0,6 mm.

Wide adjustment feature: +6 / -0.45 mm; beyond this negative adjustment the spring is deactivated.

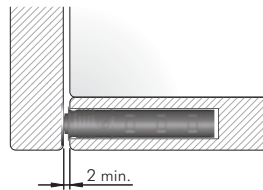


PATENT PENDING
REGISTERED DESIGN 
Tested in accordance with
CATAS procedures
ISO 7170/05

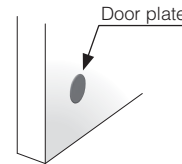
INSTALLATION TO BE EMBEDDED INSIDE THE PANEL



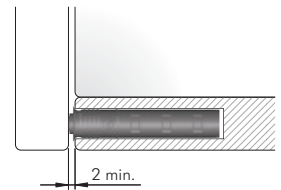
WITH MAGNET
for cabinets using **unsprung hinges**
or **negative hinges**.



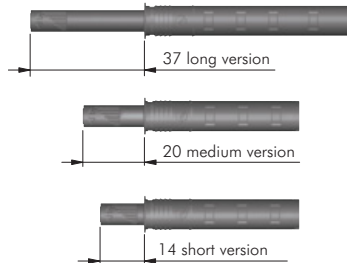
For details refer to
"K PUSH TECH AND
K LOCK DOOR PLATES".



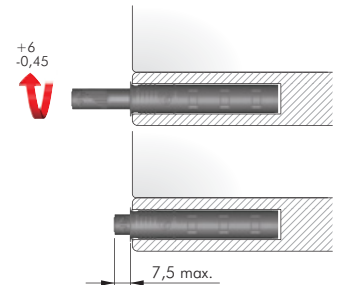
WITH BUFFER
for cabinets using **sprung hinges**.



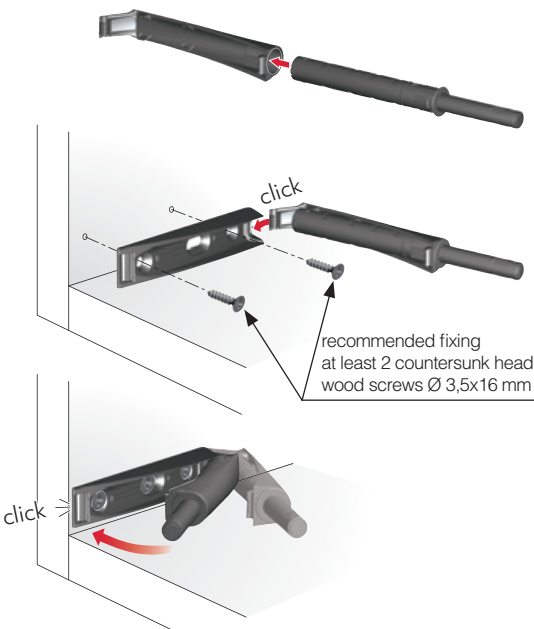
VERSIONS



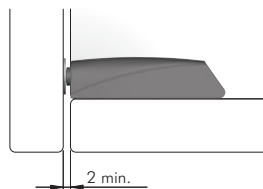
ADJUSTMENTS



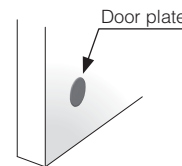
INSTALLATION THROUGH ADAPTER HOUSING



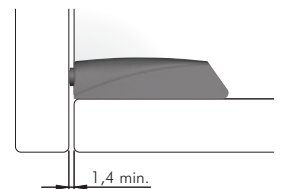
WITH MAGNET
for cabinets using **unsprung hinges**
or **negative hinges**.



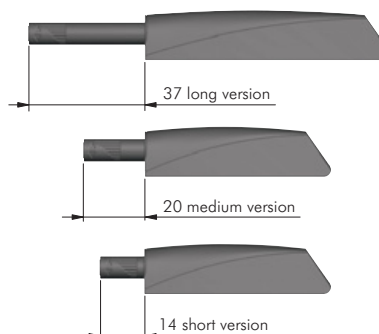
For details refer to
"K PUSH TECH AND
K LOCK DOOR PLATES".



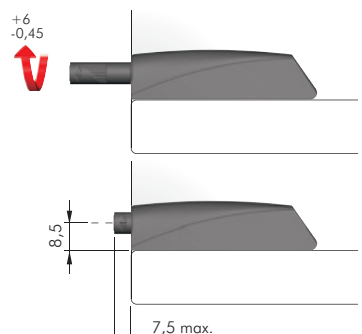
WITH BUFFER
for cabinets using **sprung hinges**.

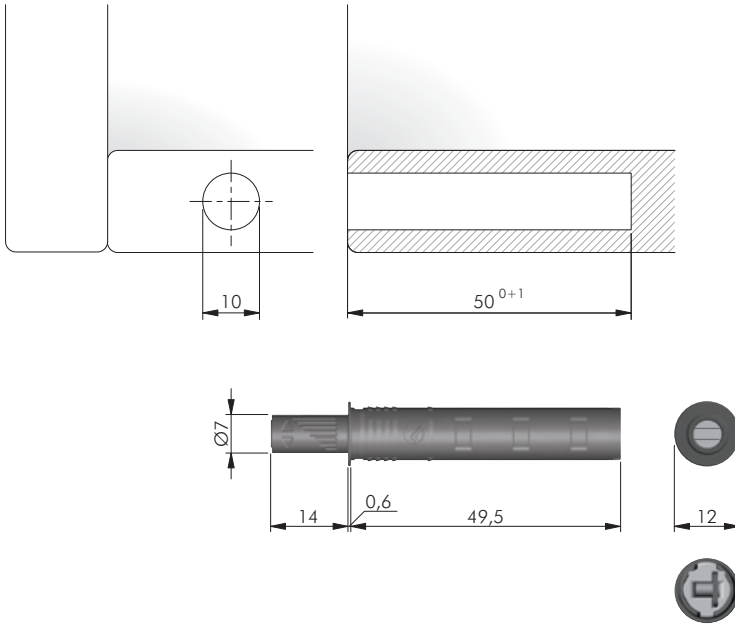


VERSIONS

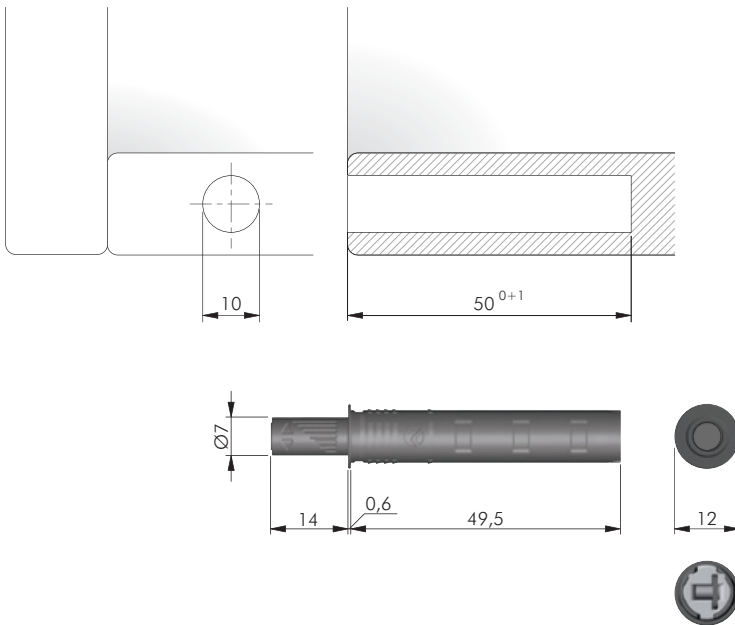


ADJUSTMENTS



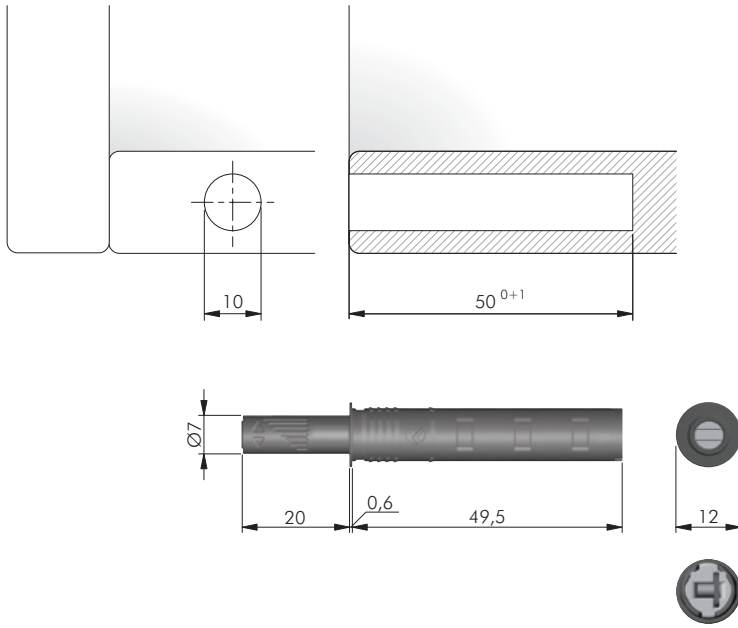


	ST	EP	= 100 pcs.
	57002020EE		
	57002020IJ		
	57002020AB		

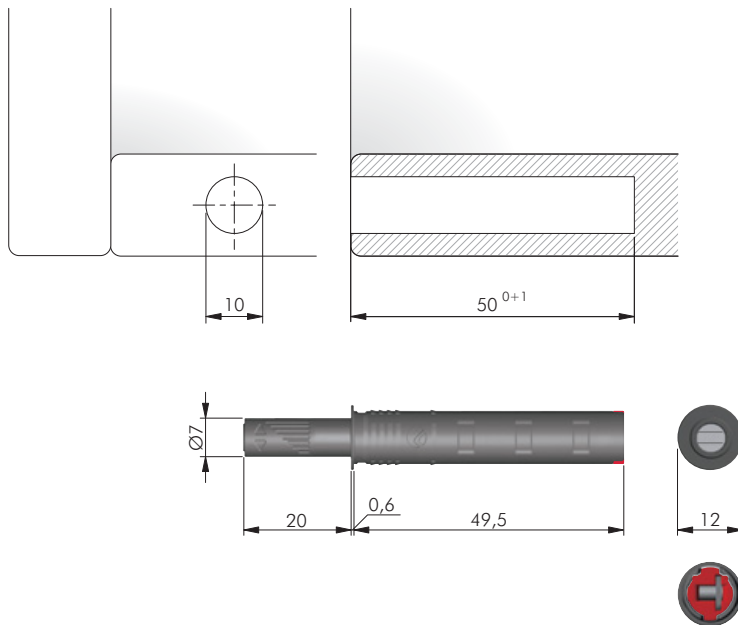


	ST	EP	SR	= 100 pcs.
	57002040EE			
	57002040IJ			
	57002040AB			



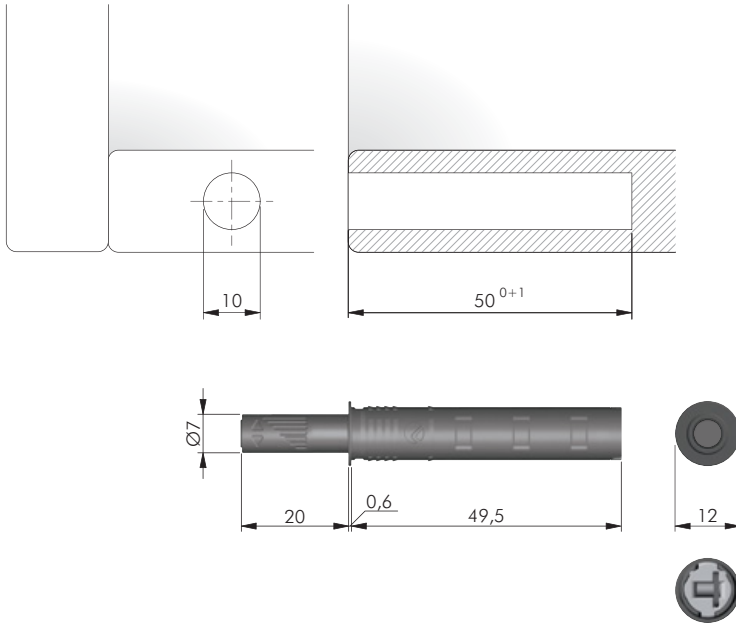


	ST	EP	= 100 pcs.
57004020EE			
57004020J			
57004020AB			

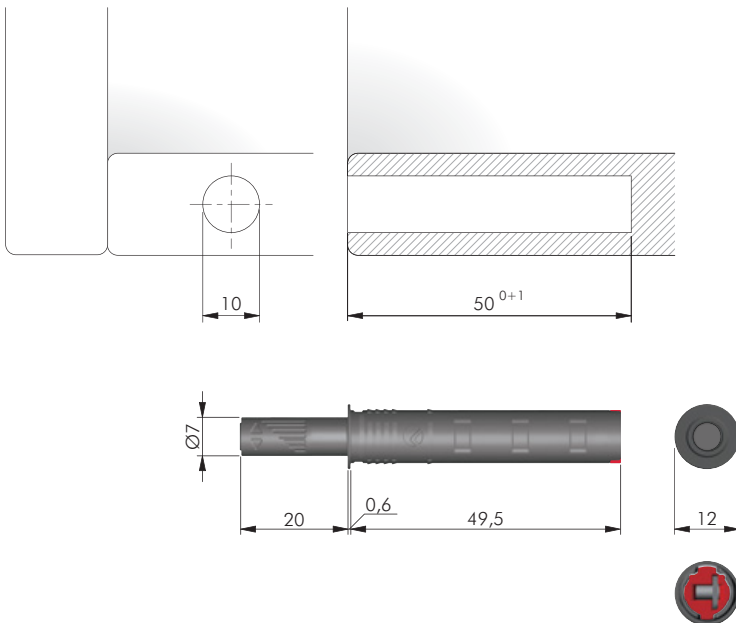


	STRONG VERSION		= 100 pcs.
ST	EP		
57004060EE			
57004060J			
57004060AB			





	ST	EP	SR	= 100 pcs.
	57004040EE			
	57004040IJ			
	57004040AB			

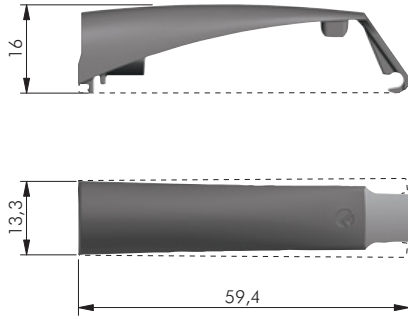


	STRONG VERSION			= 100 pcs.
	ST	EP	SR	
	57004080EE			
	57004080IJ			
	57004080AB			





ADAPTER HOUSING AND PLATE FOR **SHORT** AND **MEDIUM** VERSIONS



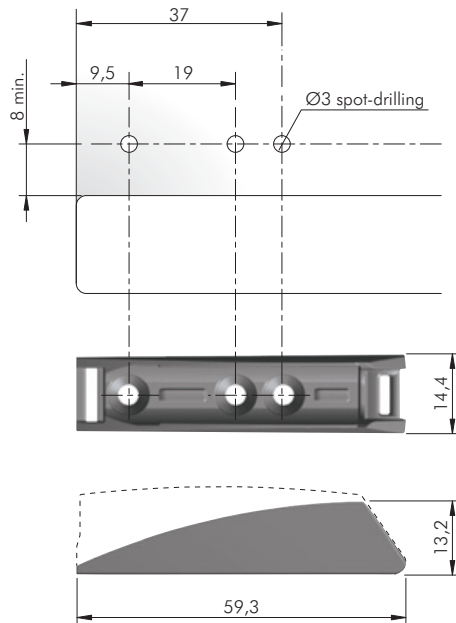
EP = 100 pcs.

= 123

57006020EE

57006020IJ

57006020AB



= Ø 2,5 mm

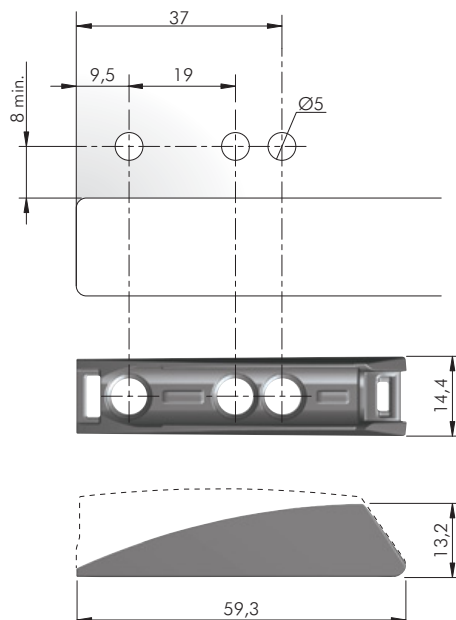
EP = 100 pcs.

= 123

57006040EE

57006040IJ

57006040AB



= Ø 5 mm

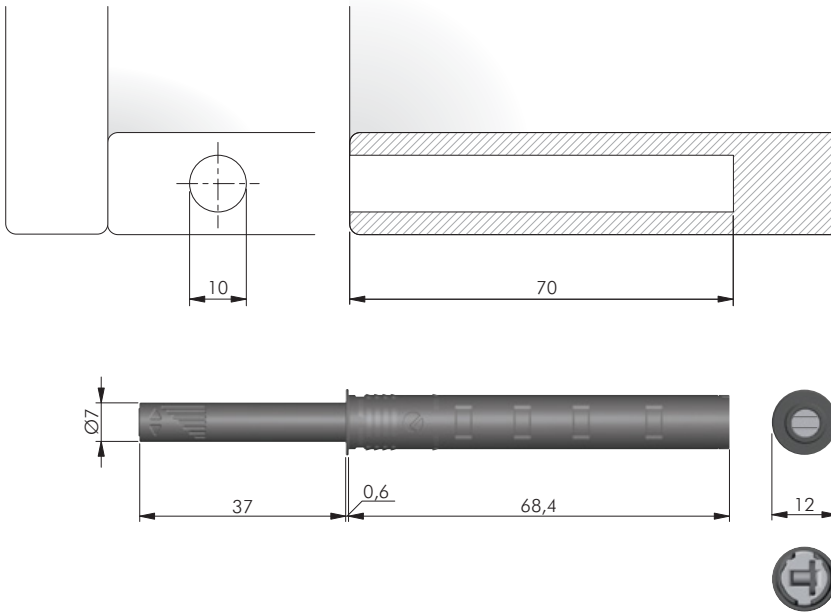
EP = 100 pcs.

= 123

57006060EE

57006060IJ

57006060AB



ST

EP

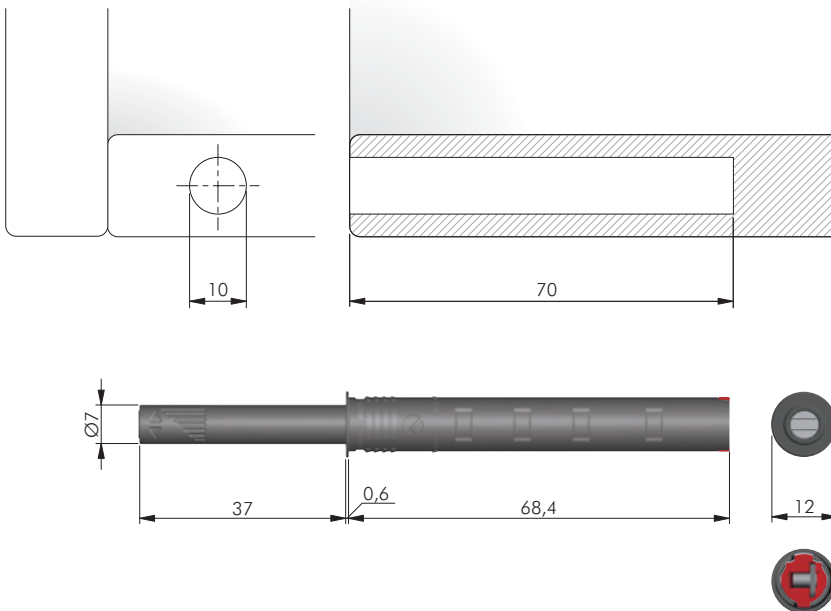
= 100 pcs.



57008020EE

57008020IJ

57008020AB



STRONG VERSION

ST

EP

SR

= 100 pcs.



57008060EE

57008060IJ

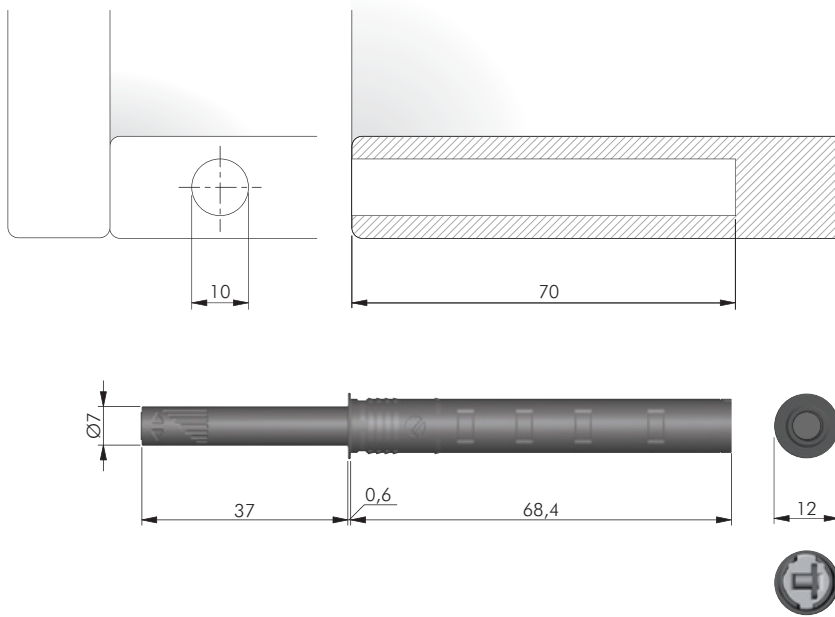
57008060AB












PUSH CATCHES
AND MAGNETIC
CATCHES

K PUSH TECH



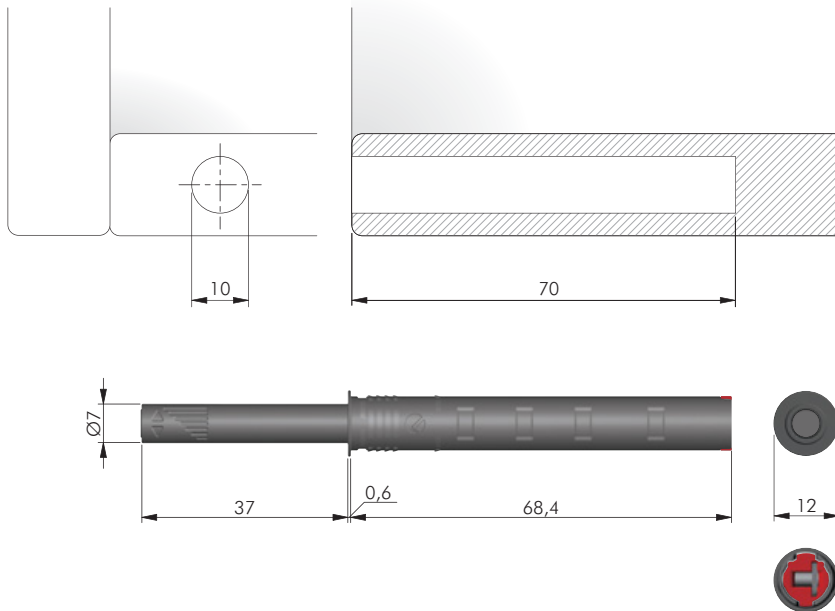




 = 100 pcs.








57008040EE

57008040IJ

57008040AB




STRONG VERSION
 = 100 pcs.

57008080EE

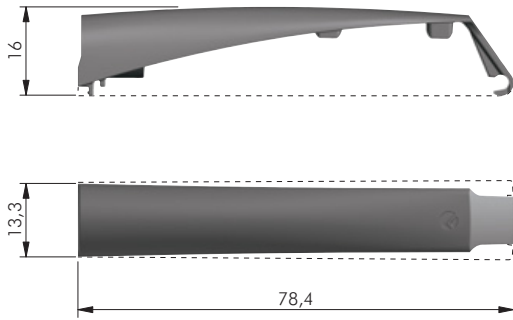
57008080IJ

57008080AB





ADAPTER HOUSING AND PLATE FOR LONG VERSION



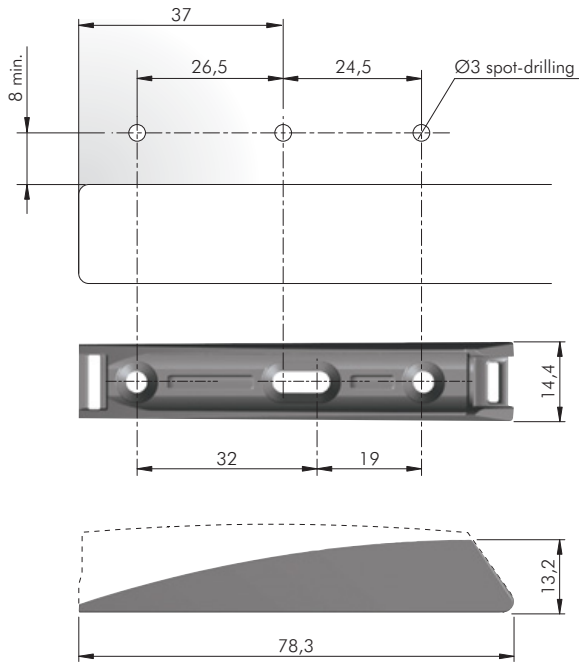
EP = 100 pcs.



57010020EE

57010020IJ

57010020AB



= Ø 2,5 mm

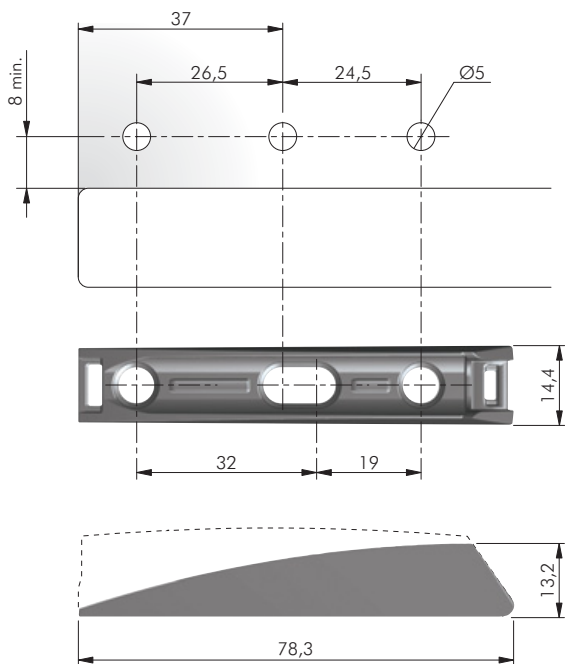
EP = 100 pcs.



57010040EE

57010040IJ

57010040AB



= Ø 5 mm

EP = 100 pcs.



57010060EE

57010060IJ

57010060AB