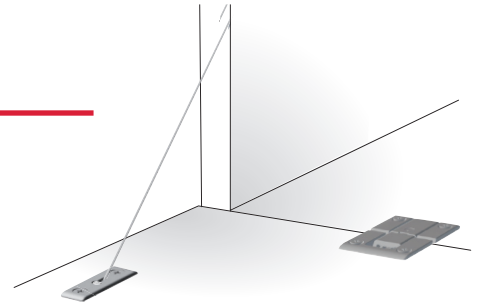
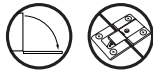
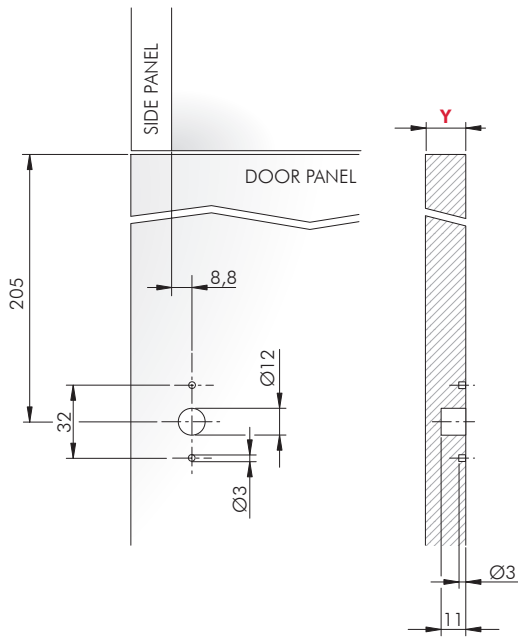


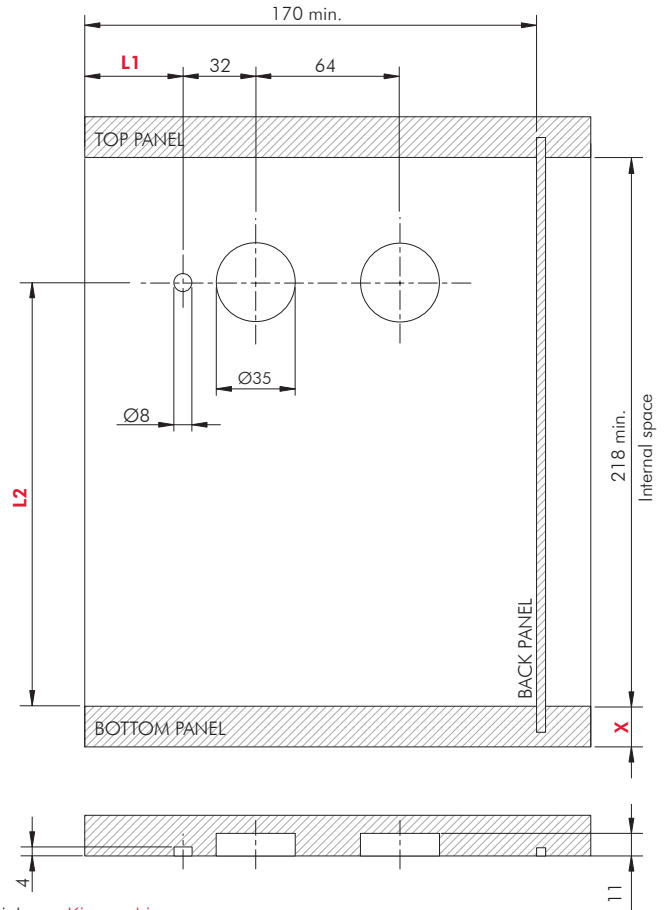
LINK WITH KIMANA HINGE



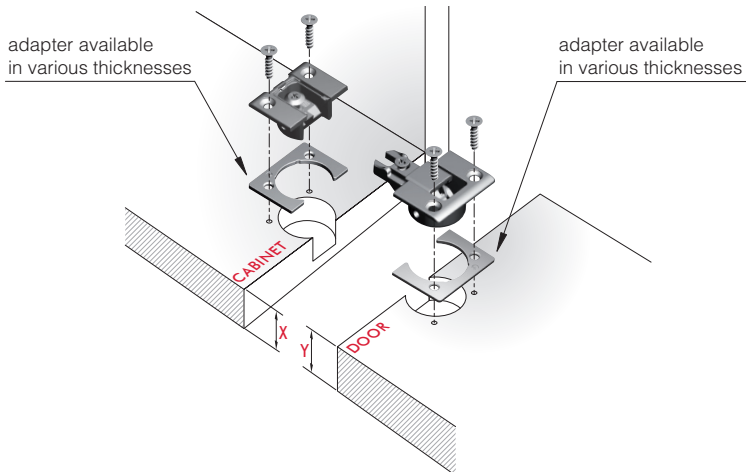
DOOR PANEL DRILLING PLAN





SIDE PANEL DRILLING PLAN



The dimensions of the above drilling plan refer to carcasses which use Kimana hinges.



X + 	Y + 	L1	L2
16 + 4	16 + 2	43	190
16 + 4	19	44	190
18 + 2	18	44	189
18 + 2	19	44	189
19	16 + 2	42	187
19	19	43	187
20	20	43	187

