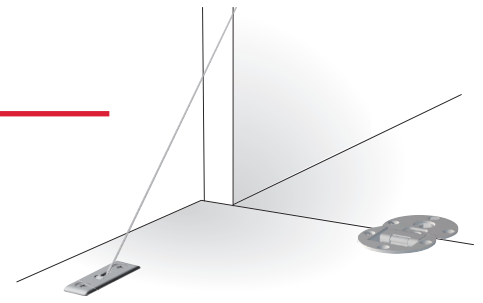
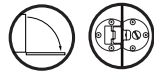
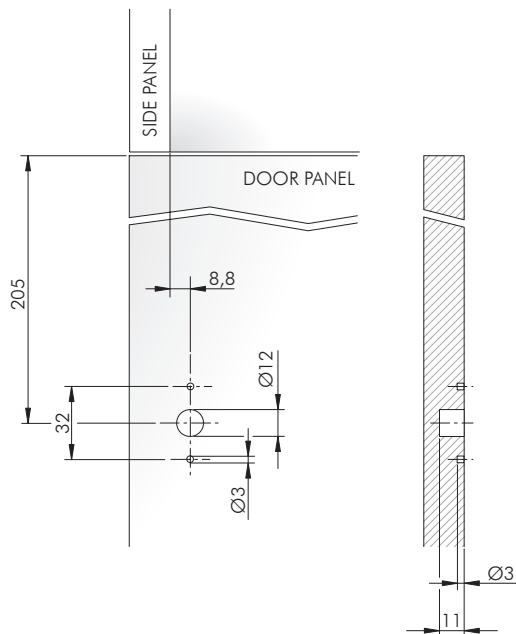




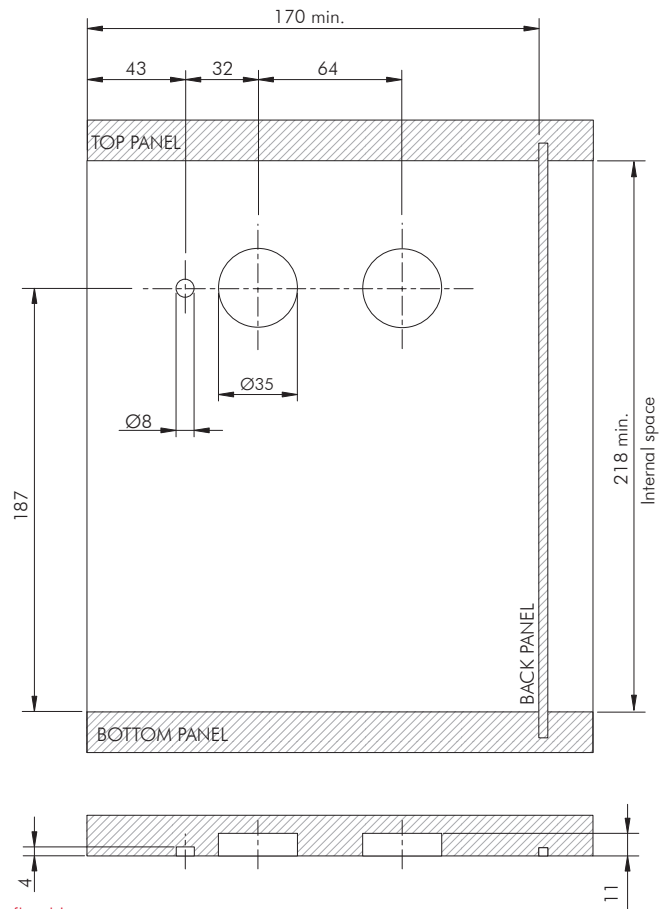
**LINK WITH FLAP HINGES**



**DOOR PANEL DRILLING PLAN**



**SIDE PANEL DRILLING PLAN**



The dimensions of the drilling plan refer to carcasses which use flap hinges.