



**LINK**



PATENTED

The freshly-designed drop-down opening system conceived by Italiana Ferramenta.

Unhanded mechanism for cabinet sides, the only one on the market that guarantees both a soft opening and a smooth closing movement of the door.

Installation is carried out through very simple drilling operations that don't require neither mills nor grooves.

A complete range suits all the doors weights and dimensions.

Suitable for very shallow cabinets with a minimum depth of 200 mm.

Very simple installation, once the mechanism is fixed on the side, the metal wire end is pulled out and the small sphere inserted onto the narrow slot of the door bracket. The sphere catches onto the bayonet cavity and is permanently secured in position with the provided cover cap.

Open angle adjustment carried out by using a S3 allen wrench, for nearby doors alignment.

The zinc alloy nickel plated mechanism cover, as well as the door bracket, can be supplied painted on request.

All the parts are in steel, zinc alloy and engineering plastic.

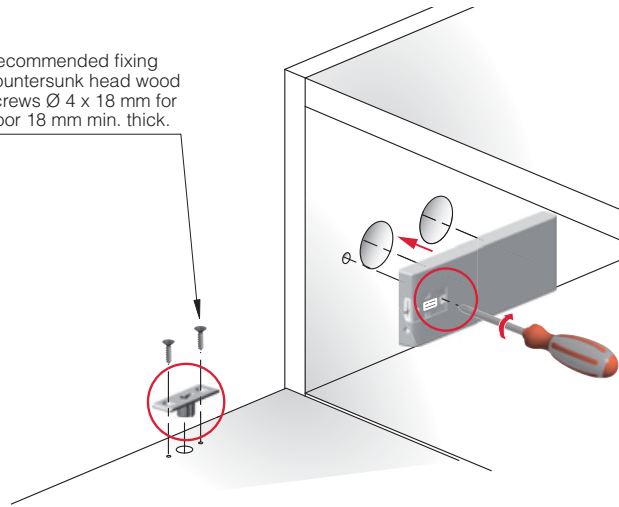


INSTALLATION

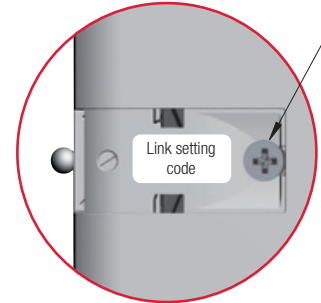


The door bracket has to be placed with the narrow part of the drop-shaped slot facing the cabinet.

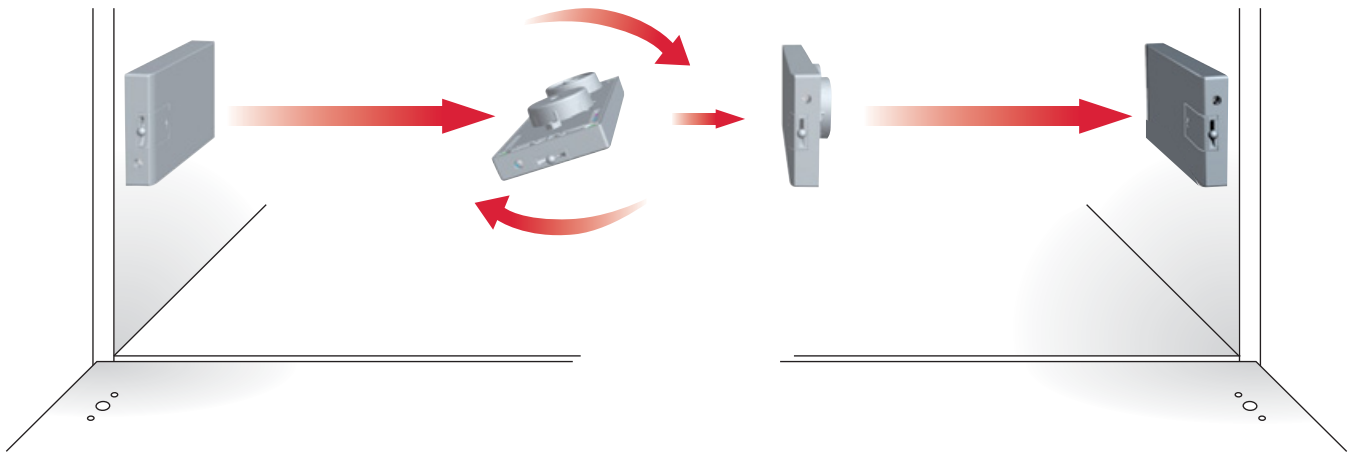
Recommended fixing  
countersunk head wood  
screws  $\varnothing 4 \times 18$  mm for  
door 18 mm min. thick.



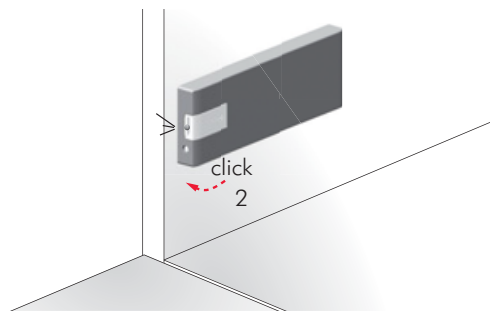
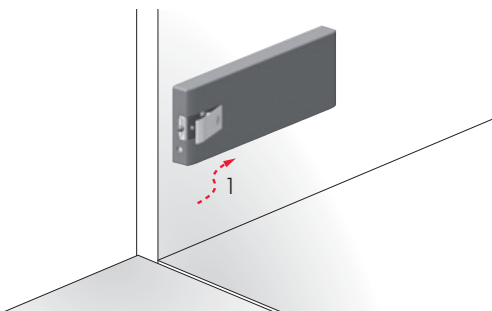
Pre-inserted screw  $\varnothing 3,5 \times 16$  mm - PZ2.



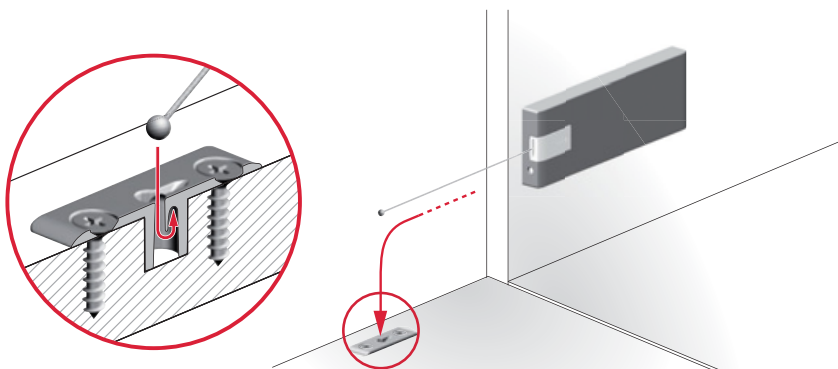
UNHANDED MECHANISM



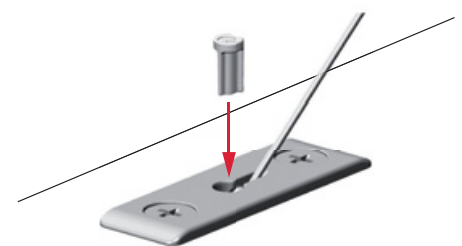
COVER CAP INSERTION



METAL WIRE INSERTION ONTO THE DOOR BRACKET

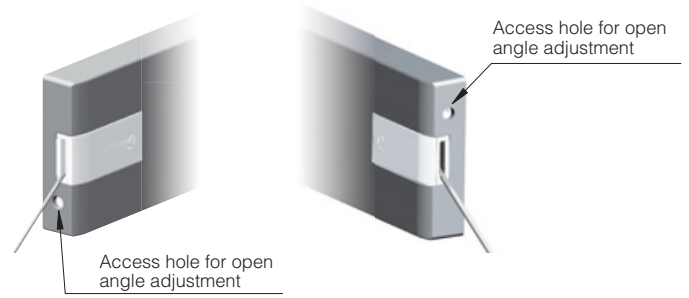
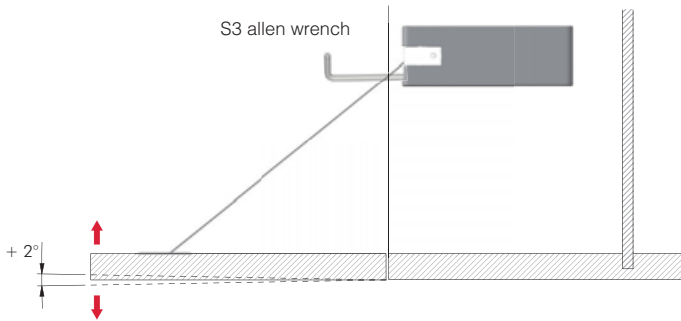


PLASTIC WIRE LOCKING

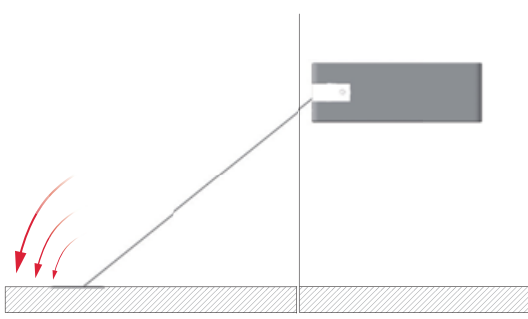




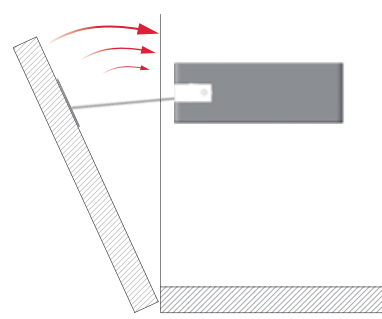
**ADJUSTMENT**



**SOFT OPENING**

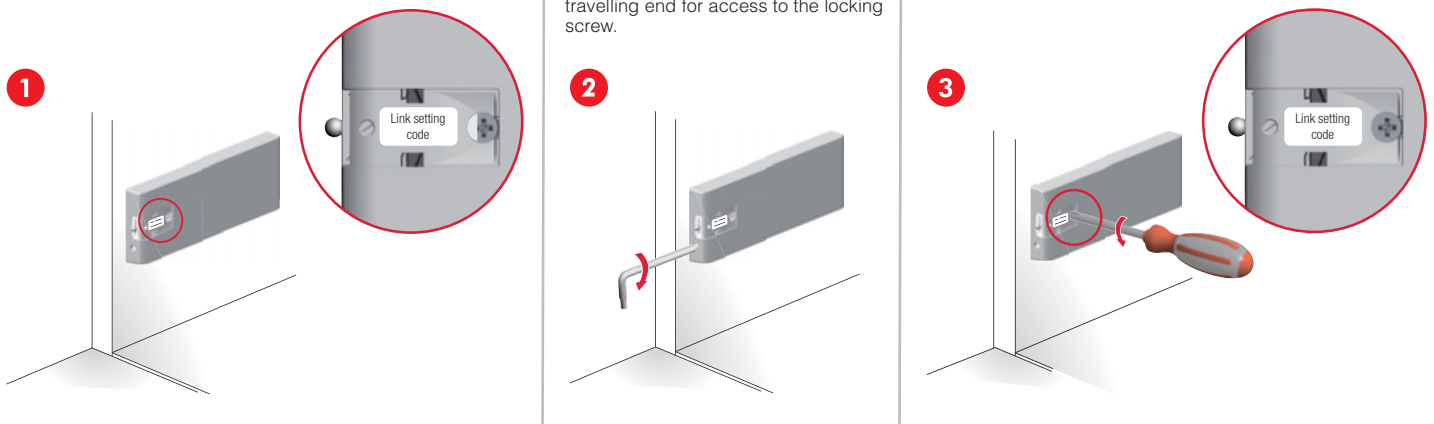


**SMOOTH CLOSING**

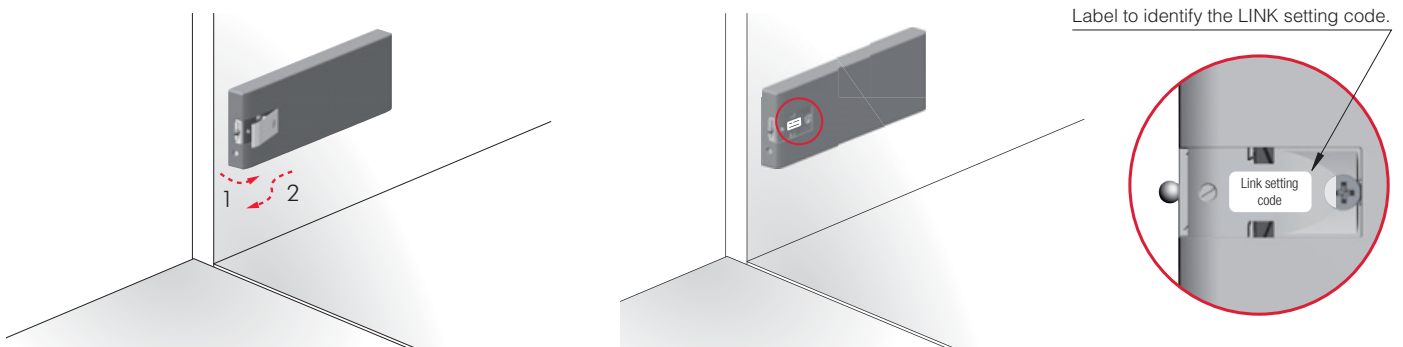


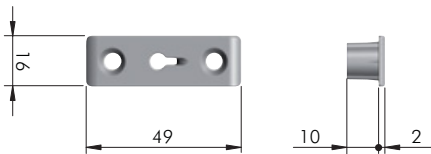
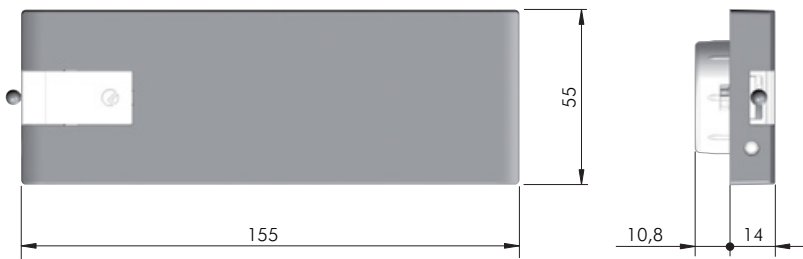
Soft opening and smooth closing are guaranteed only when opening and closing cycles are fully carried out.

**LINK REMOVAL**



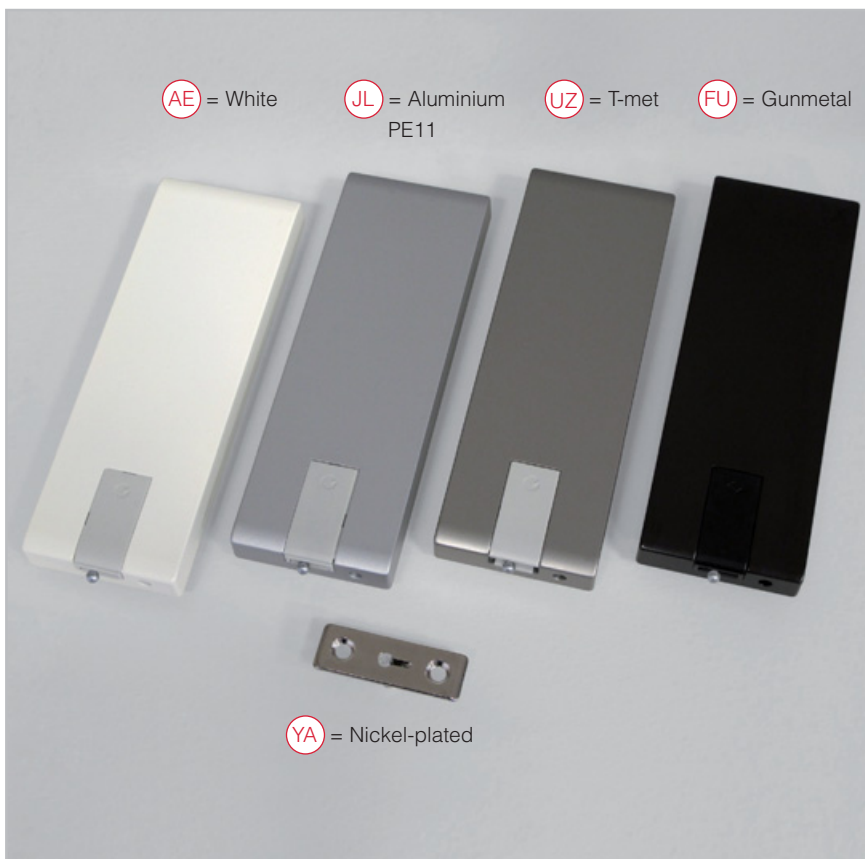
**LINK SETTINGS IDENTIFICATION**





<input type="checkbox"/> ZA	<input type="checkbox"/> EP	<input type="checkbox"/> ST	= 12 pcs.			
47005020UZ	AE	JL	FU	A262		
47020020UZ	AE	JL	FU	N262		
47030020UZ	AE	JL	FU	U262		
47035020UZ	AE	JL	FU	AL280		
47038020UZ	AE	JL	FU	AQ300		
47040020UZ	AE	JL	FU	AQ335		

NOTE: LINK is supplied in carton box including 1 piece, door bracket nickel-plated, countersunk fixing screws Ø 4 x 18 mm nickel-plated, cover cap and fitting guide.



OPTIONAL DOOR BRACKETS



ZA   
  ST   
 = AE

Available on request



ZA   
  ST   
 = JL

Available on request



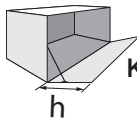
ZA   
  ST   
 = FU

Available on request



ZA   
  ST   
 = UZ

Available on request



Kg = Door weight including the possible handle.

Rev. 02

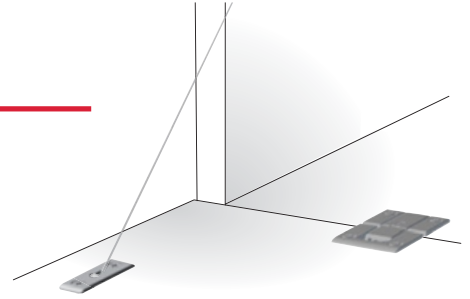
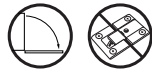
Kg	Link	h												CODE SETTINGS: A262, N262, U262, AL280 *								
		250		275		300		325		350		375			400		425		450		480	
1,75	x2	-	-	-	-	-	-	-	-	-	-	-	-	-	-	A262	A262	A262	A262	A262	A262	CODE SETTINGS: A262, N262, U262, AL280 *
	x1	A262		N262		N262		N262		N262		N262		U262		U262		-		-	-	
2,00	x2	-	-	-	-	-	-	-	-	A262	A262	A262	A262	A262	A262	A262	A262	A262	N262	A262	N262	
	x1	N262		N262		N262		N262		U262		U262		-		-		-		-	AL280	
2,25	x2	-	-	-	-	-	-	A262	A262	A262	A262	A262	A262	A262	N262	A262	N262	A262	N262	A262	U262	
	x1	N262		N262		U262		U262		-		-		-		-		-		-	AL280	
2,50	x2	-	-	A262	A262	A262	A262	A262	A262	A262	A262	A262	N262	A262	N262	A262	N262	A262	U262	A262	U262	
	x1	N262		U262		U262		-		-		-		-		-		-		AL280	AL280	
2,75	x2	-	-	A262	A262	A262	A262	A262	U262	A262	N262	A262	N262	A262	N262	A262	U262	A262	U262	N262	U262	
	x1	U262		U262		-		-		-		-		-		-		AL280	AL280	-	AQ300	
3,00	x2	A262	A262	A262	A262	A262	N262	A262	N262	A262	N262	A262	U262	A262	U262	N262	U262	N262	U262	U262	U262	
	x1	U262		-		-		-		AL280		AL280		AL280		AQ300		AQ300		AQ300	AQ300	
3,25	x2	A262	A262	A262	N262	A262	N262	A262	N262	A262	U262	A262	U262	N262	U262	N262	U262	U262	U262	U262	U262	
	x1	-		-		-		-		AL280		AL280		AL280		AQ300		AQ300		AQ300	AQ300	
3,50	x2	A262	A262	A262	N262	A262	N262	A262	N262	A262	U262	N262	U262	N262	U262	U262	U262	U262	U262	N262	AL280	
	x1	-		-		-		-		AL280		AL280		AQ300		AQ300		AQ300		AQ300	AQ300	
3,75	x2	A262	N262	A262	N262	A262	U262	A262	U262	N262	U262	N262	U262	U262	U262	U262	U262	N262	AL280	U262	AL280	
	x1	-		-		AL280		AL280		AQ300		AQ300		AQ300		AQ300		AQ335		AQ335	AQ335	
4,00	x2	A262	N262	A262	U262	A262	U262	N262	U262	N262	U262	U262	U262	U262	U262	N262	AL262	U262	AL280	U262	AL280	
	x1	-		-		AL280		AL280		AQ300		AQ300		AQ335		AQ335		AQ335		AQ335	AQ335	
4,25	x2	A262	N262	A262	U262	N262	U262	N262	U262	U262	U262	U262	U262	N262	AL280	U262	AL280	U262	AL280	U262	AL280	
	x1	-		AL280		AQ300		AQ300		AQ300		AQ300		AQ300		AQ335		AQ335		AQ335	-	
4,50	x2	A262	U262	A262	U262	N262	U262	U262	U262	U262	U262	N262	AL280	U262	AL280	U262	AL280	U262	AL280	AL280	AL280	
	x1	AL280		AL280		AQ300		AQ300		AQ300		AQ335		AQ335		AQ335		-		-	-	
4,75	x2	A262	U262	N262	U262	U262	U262	U262	U262	N262	AL280	U262	AL280	U262	AL280	U262	AL280	AL280	AL280	AL280	AL280	
	x1	AL280		AQ300		AQ300		AQ300		AQ335		AQ335		AQ335		-		-		-	-	
5,00	x2	N262	U262	N262	U262	U262	U262	N262	AL280	U262	AL280	U262	AL280	U262	AL280	AL280	AL280	AL280	AL280	AL280	AL280	
	x1	AL280		AQ300		AQ300		AQ335		AQ335		AQ335		-		-		-		-	-	
5,25	x2	N262	U262	U262	U262	U262	U262	N262	AL280	U262	AL280	U262	AL280	AL262	AL280	AL280	AL280	AL280	AL280	AL280	AQ300	
	x1	AL280		AQ300		AQ300		AQ335		AQ335		-		-		-		-		-	-	
5,50	x2	N262	U262	U262	U262	N262	AL280	U262	AL280	U262	AL280	AL280	AL280	AL280	AL280	AL280	AL280	AL280	AQ300	AL280	AQ300	
	x1	AL280		AQ300		AQ335		AQ335		-		-		-		-		-		-	-	
5,75	x2	U262	U262	U262	U262	N262	AL280	U262	AL280	U262	AL280	AL280	AL280	AL280	AL280	AL280	AQ300	AL280	AQ300	AQ300	AQ300	
	x1	AQ300		AQ300		AQ335		AQ335		-		-		-		-		-		-	-	
6,00	x2	U262	U262	N262	AL280	U262	AL280	U262	AL280	AL280	AL280	AL280	AL280	AL280	AL280	AL280	AL280	AL280	AQ300	AQ300	AQ300	
	x1	AQ300		AQ335		AQ335		-		-		-		-		-		-		-	-	
6,25	x2	U262	U262	N262	AL280	U262	AL280	U262	AL280	AL280	AL280	AL280	AL280	AL280	AL280	AL280	AQ300	AQ300	AQ300	AQ300	AQ300	
	x1	AQ300		AQ335		AQ335		-		-		-		-		-		-		-	-	
6,50	x2	N262	AL280	U262	AL280	U262	AL280	AL280	AL280	AL280	AL280	AL280	AL280	AL280	AL280	AL280	AQ300	AQ300	AQ300	AQ300	AQ335	
	x1	AQ335		AQ335		-		-		-		-		-		-		-		-	-	
6,75	x2	N262	AL280	U262	AL280	U262	AL280	AL280	AL280	AL280	AL280	AL280	AL280	AL280	AL280	AL280	AQ300	AQ300	AQ300	AQ300	AQ335	
	x1	AQ335		AQ335		-		-		-		-		-		-		-		-	-	
7,00	x2	U262	AL280	U262	AL280	AL280	AL280	AL280	AL280	AL280	AQ300	AL280	AQ300	AQ300	AQ300	AQ300	AQ300	AQ300	AQ335	AQ335	AQ335	
	x1	AQ335		AQ335		-		-		-		-		-		-		-		-	-	
7,50	x2	U262	AL280	AL280	AL280	AL280	AL280	AL280	AL280	AL280	AQ300	AL280	AQ300	AQ300	AQ300	AQ300	AQ300	AQ335	AQ335	AQ335	AQ335	
	x1	AQ335		-		-		-		-		-		-		-		-		-	-	
8,00	x2	U262	AL280	AL280	AL280	AL280	AL280	AL280	AQ300	AQ300	AQ300	AQ300	AQ300	AQ300	AQ300	AQ335	AQ335	AQ335	AQ335	-	-	
	x1	AL280		AL280		AL280		AQ300		AQ300		AQ300		AQ300		AQ335		AQ335		-	-	
8,25	x2	AL280	AL280	AL280	AL280	AL280	AQ300	AL280	AQ300	AQ300	AQ300	AQ300	AQ300	AQ300	AQ335	AQ335	AQ300	AQ335	AQ335	-	-	
	x1	AL280		AL280		AL280		AQ300		AQ300		AQ300		AQ300		AQ335		AQ335		-	-	
8,50	x2	AL280	AL280	AL280	AL280	AL280	AQ300	AQ300	AQ300	AQ300	AQ300	AQ300	AQ335	AQ335	AQ335	AQ335	-	-	-	-	-	
	x1	AL280		AL280		AL280		AQ300		AQ300		AQ300		AQ335		AQ335		AQ335		-	-	
8,75	x2	AL280	AL280	AL280	AL280	AL280	AQ300	AQ300	AQ300	AQ300	AQ300	AQ300	AQ335	AQ335	AQ335	AQ335	-	-	-	-	-	
	x1	AL280		AL280		AL280		AQ300		AQ300		AQ300		AQ335		AQ335		AQ335		-	-	
9,00	x2	AL280	AL280	AL280	AQ300	AL280	AQ300	AQ300	AQ300	AQ300	AQ335	AQ335	AQ335	AQ335	AQ335	-	-	-	-	-	-	
	x1	AL280		AL280		AL280		AQ300		AQ300		AQ300		AQ335		AQ335		AQ335		-	-	

\* Range of settings considering only the application with 2 mechanisms Link.

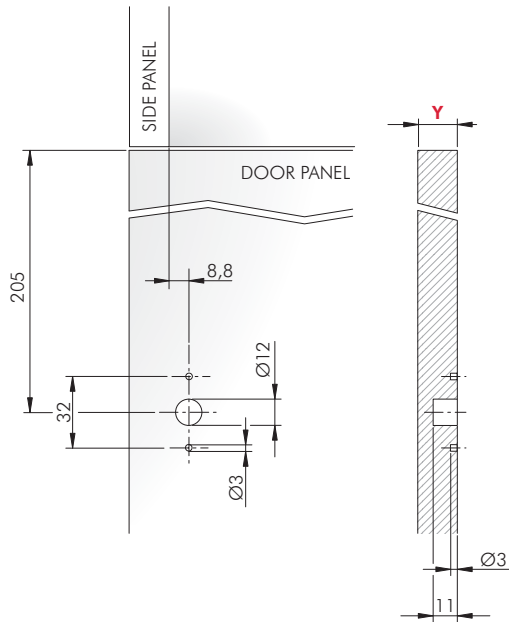
These are experimental results to be checked by the customer.

In accordance with the actual laws, we suggest to use 2 LINK mechanisms for each door. In case the door weight/dimensions are bigger than those reported on the charts, 3 or more LINK mechanisms might be used. Please contact the authorized dealer.

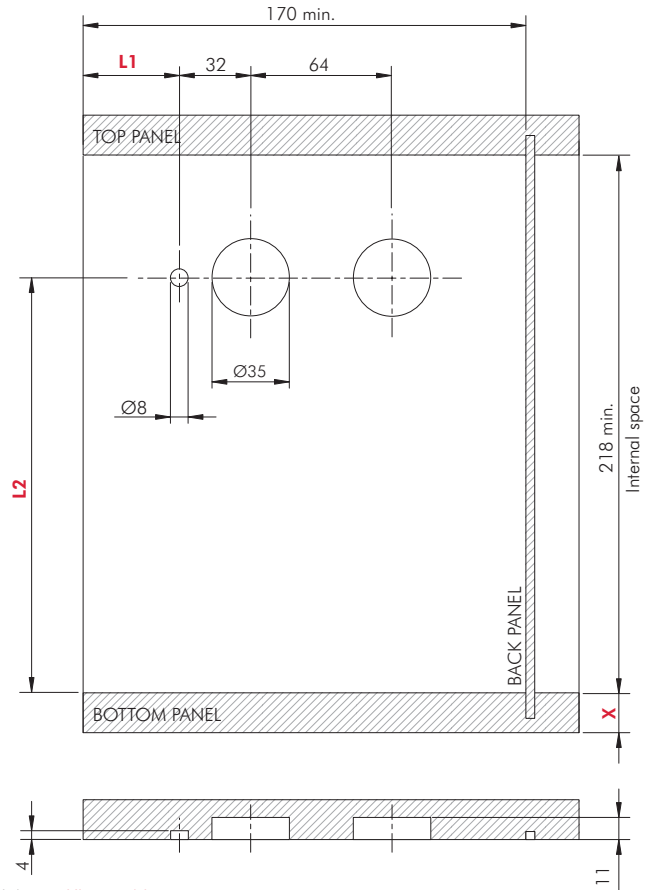
LINK WITH KIMANA HINGE



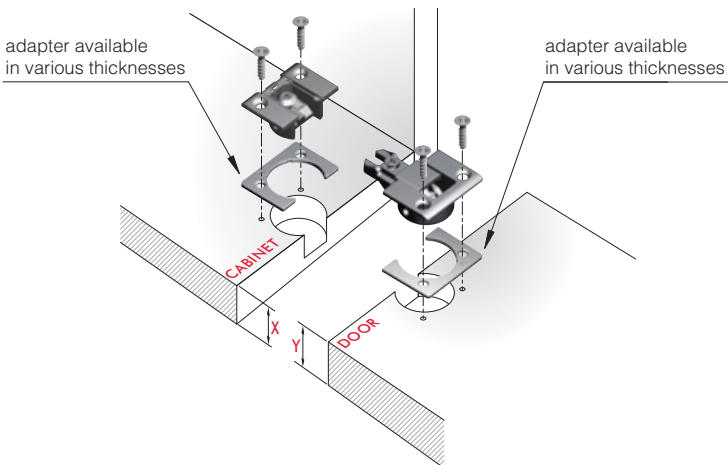
DOOR PANEL DRILLING PLAN





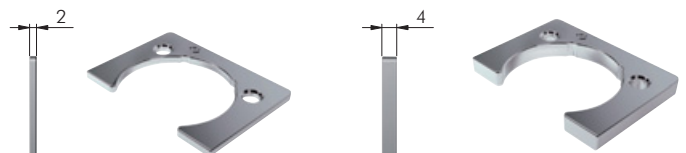
SIDE PANEL DRILLING PLAN



The dimensions of the above drilling plan refer to carcasses which use Kimana hinges.



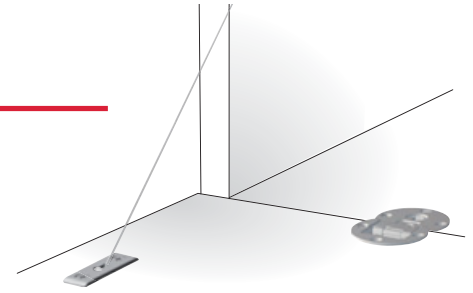
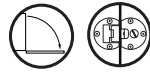
X + 	Y + 	L1	L2
16 + 4	16 + 2	43	190
16 + 4	19	44	190
18 + 2	18	44	189
18 + 2	19	44	189
19	16 + 2	42	187
19	19	43	187
20	20	43	187



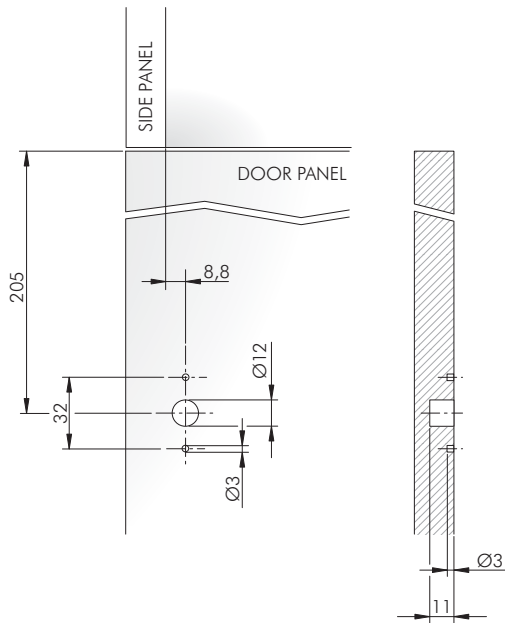
For Kimana and adapter details refer to section "HINGES".



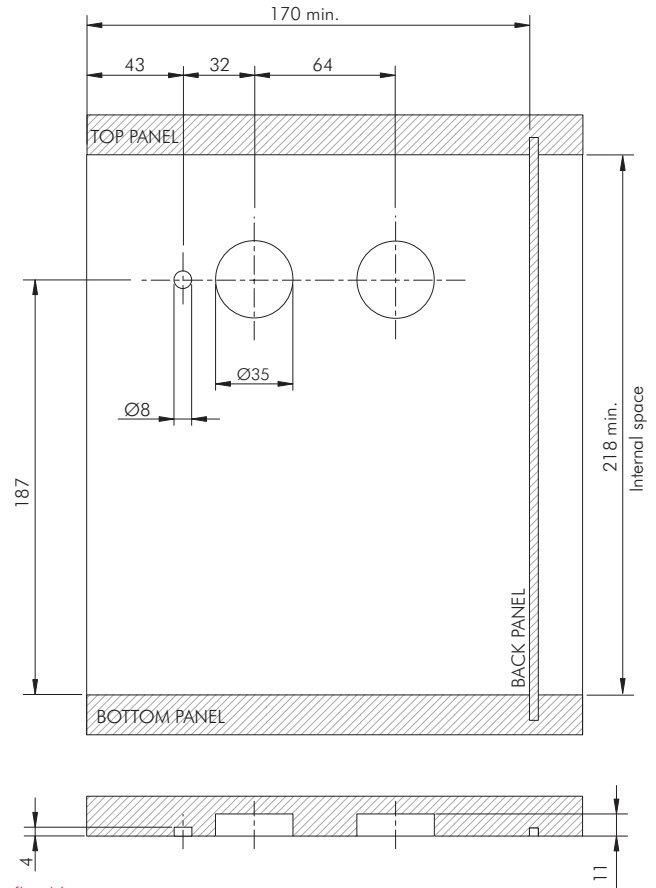
**LINK WITH FLAP HINGES**



**DOOR PANEL DRILLING PLAN**



**SIDE PANEL DRILLING PLAN**



The dimensions of the drilling plan refer to carcasses which use flap hinges.

**LINK WITH STANDARD UNSPRUNG HINGES**



In case other hinges than KIMANA are used, it is necessary to contact an authorized dealer for a correct drilling scheme. For this purpose, use the form at the end of the LINK section to provide the required specifications.

