

# FR 5036

<b>SLIDE TYPE:</b>	Full-Extension Linear Ball Bearing Drawer Slide - Telescopic-Action
<b>MOUNTING:</b>	Side Mount

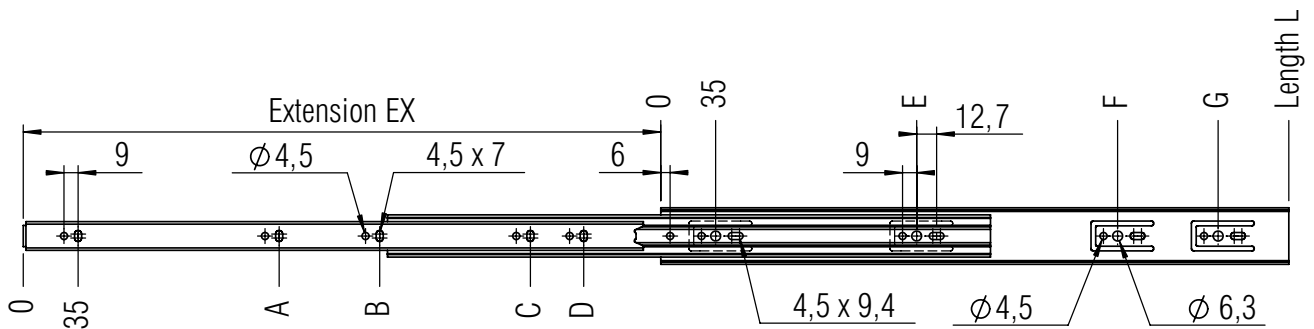
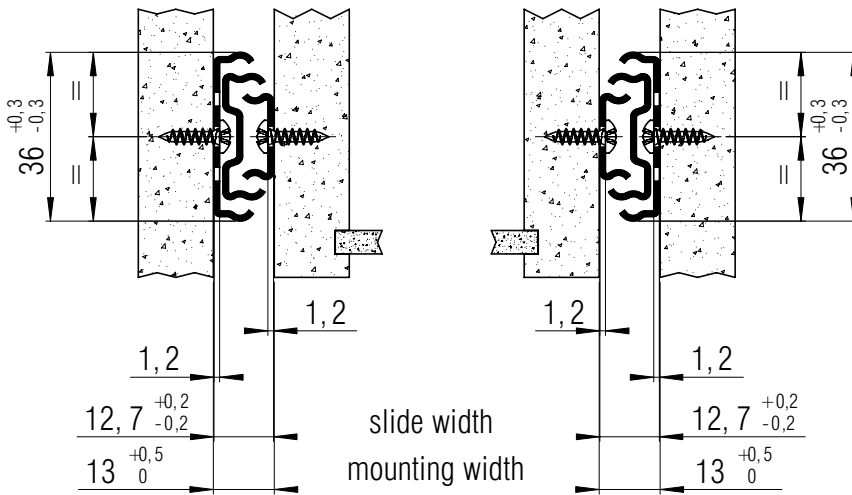
<b>WIDTH:</b>	13 mm
<b>LOAD CAPACITY:</b>	dynamic up to 30 kg



**MATERIAL:** steel, bright galvanized

**FEATURES:** linear steel ball bearings

- SPECIFICATIONS:**
- ▶ universal hole pattern
  - ▶ drawer removal possible
  - ▶ tolerance absorbing mounting tabs
  - ▶ **self-closing**



screw holes for 3,5 mm spax screws

L mm	EX mm	A mm	B mm	C mm	D mm	E mm	F mm	G mm	Weight per pair (kg)	Order No. galvanized
250	254	207				131			0,58	▶ 5080
300	305	163	257			195			0,69	▶ 5081
350	356	163	307			163	259		0,82	▶ 5082
400	406	163	357			163	291		0,92	▶ 5083
450	457	163	355	407		163	355		1,06	▶ 5084
500	508	163	227	387	457	163	323	387	1,15	▶ 5085
550	559	163	259	451	507	163	323	451	1,27	▶ 5086
600	610	163	259	451	557	163	355	483	1,39	▶ 5087

Packing Unit: 20 sets per box

▶ prompt delivery