

FR 786 ECD

SLIDE TYPE:	Full-Extension Drawer Slide - Progressive-Action
MOUNTING:	Bottom Mount

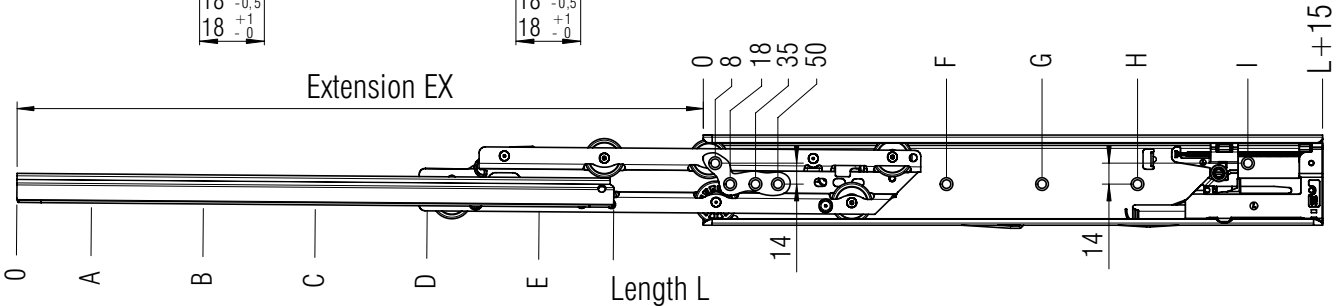
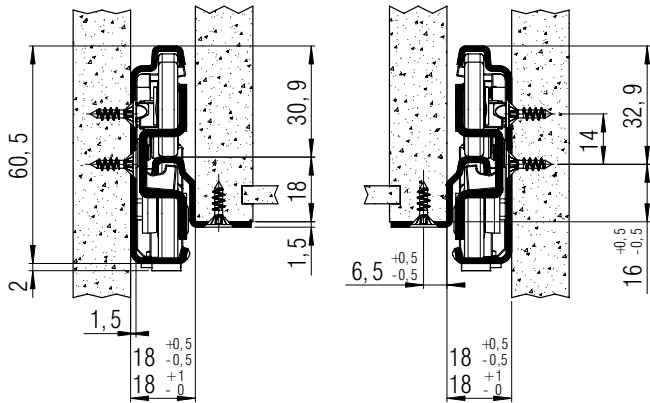
WIDTH:	18 mm
LOAD CAPACITY:	dynamic up to 55 kg (full-ext.) dynamic up to 40 kg (over-ext.)



MATERIAL:	steel, bright galvanized or white powder coated
------------------	---

FEATURES:	solid delrin* rollers
------------------	-----------------------

SPECIFICATIONS & NOTES:
<ul style="list-style-type: none"> ▶ cabinet and drawer profile with screw holes ▶ high lateral stability through specially formed middle profile and guide rollers ▶ ideal running characteristic and smoothness of running through integrated progressive-action ▶ safety clip mounted in middle profile ▶ double-sided captive profile ▶ self-closing ▶ soft stop
<ul style="list-style-type: none"> Ⓜ Easy Close Device (ECD) integrated
<ul style="list-style-type: none"> Ⓜ on request compatible regular-extension drawer slide is available Ⓜ on request available with 60 mm over-extension



screw holes for 3,5 mm spax screws

L	EX	EX	A	B	C	D	E	F	G	H	I	Weight	Order No.	Order No.
mm	full-ext.	over-ext.	mm	mm	mm	mm	mm	mm	mm	mm	mm	per pair (kg)	full-ext. galvanized	full-ext. white
335	320	395	28	156	316			163			300	1,68	*	*
350	335	410	28	156	316			163			315	1,76	*	▶ 8201
385	370	445	28	156	348			163			350	1,94	*	*
400	385	460	28	156	380			163			365	2,02	*	▶ 8202
435	420	495	28	156	316	412		163	323		400	2,19	*	*
450	435	510	28	156	316	412		163	355		415	2,27	*	▶ 8203
485	470	545	28	156	348	444		163	355		450	2,45	*	*
500	485	560	28	156	348	476		163	355		465	2,53	*	▶ 8204
535	520	595	28	156	348	508		163	355		500	2,70	*	*
550	535	610	28	156	348	508		163	355		515	2,78	*	▶ 8205
585	570	645	28	156	348	540		195	355		550	2,96	*	*
600	585	660	28	156	348	572		195	355		565	3,04	*	▶ 8206
635	620	695	28	156	348	604		163	355	547	600	3,21	*	*
650	635	710	28	156	348	604		163	355	547	615	3,29	*	*
685	670	745	28	156	348	540	668	163	355	547	650	3,47	*	*
700	685	760	28	156	348	540	668	163	355	547	665	3,55	*	*
735	720	795	28	156	348	572	700	163	355	547	700	3,72	*	*
750	735	810	28	156	348	572	732	163	355	547	715	3,80	*	*

Packing Unit: 5 sets per box

▶ prompt delivery * minimum order quantity and lead time on request!