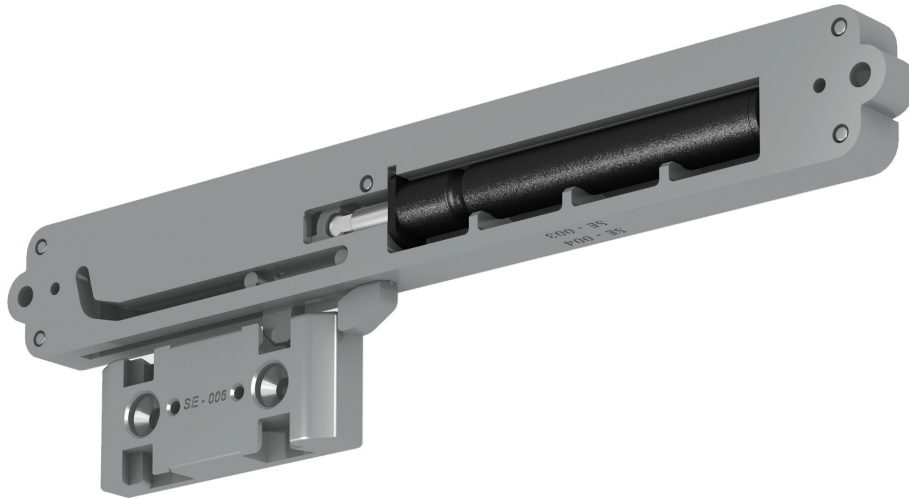


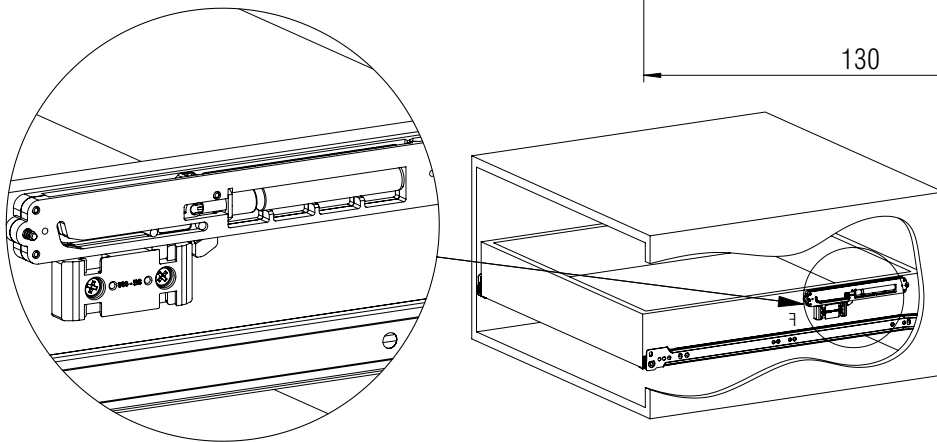
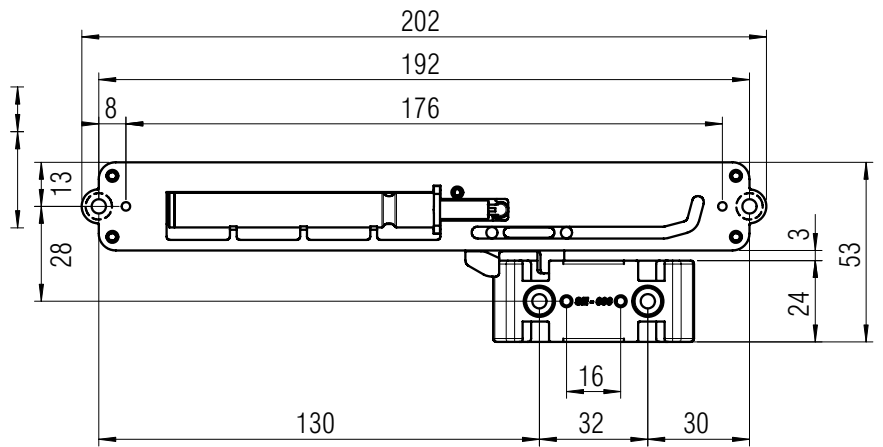
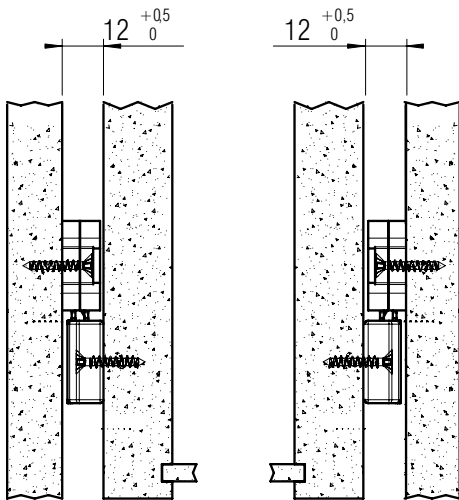
FR 8001 ECD

PRODUCT TYPE:	Easy Close Device	WIDTH:	min. 12.5 mm
MOUNTING:	Side Mount		



MATERIAL:	grey plastic, steel
------------------	---------------------

SPECIFICATIONS:
<ul style="list-style-type: none"> ▶ can be used in combination with any drawer slide with a minimum of 12.5 mm side clearance ▶ drawer is softly pulled shut from approx. 30 mm ▶ delivery set: <ul style="list-style-type: none"> - 2 pieces spring and dampening cylinder - 2 pieces follower - 1 piece mounting instructions - 1 piece mounting set
<p>① also available in a version for use in refrigeration equipment at 5° to 40° C (FR 8003 ECD)</p>



Mounting Diagram

Description	FR 8001.ECD	Order No.	grey
Packing Unit: 1 set per box		▶ 8001	
			▶ prompt delivery