

TRIADE

TRIADE is the concealed mounting bracket for shelves 25 to 40mm thick. It has been conceived to simplify the shelf installation. It is provided with three independent adjustments:

1) **VERTICAL**

Before installing the shelf, the mounting brackets can be adjusted in height and (vertically) aligned through the slots.

2) **HORIZONTAL**

While placing the shelf in position, the supporting pins can be slid horizontally.

3) **INCLINATION**

When the shelf is partially inserted, the shelf angle can be adjusted front to back by turning the supporting pins with a 10mm open-ended wrench.

The capacity loading is 15Kg each (shelf weight included) for a shelf max 300mm deep.

Shelf minimum depth: 160mm

Zinc alloy and steel

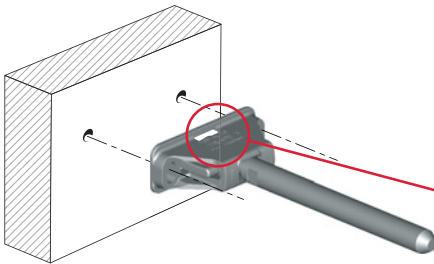
25-40 mm

15 kg for each shelf support for shelf 300 mm deep

PAT. PENDING

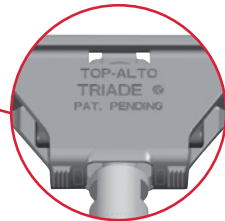
INSTALLATION AND ADJUSTMENTS

WOOD PANEL

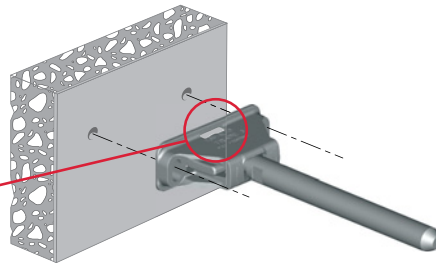


Recommended fixing pan head screw type - head Ø 5 mm max.

VERY IMPORTANT
Triade has to be installed with the writing "TOP - ALTO" facing upwards.



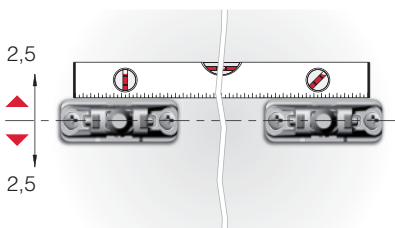
SOLID AND PLASTERBOARD PANEL



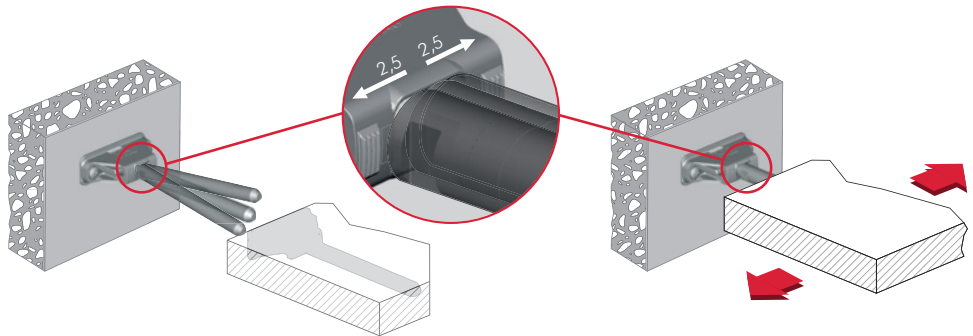
It is the responsibility of the customer:
- to ensure the wall is of a suitable quality to hold the shelf fixing in place.
- to use the proper hardware fittings according to the construction of the wall.

For more specific information, please refer to the WARNINGS section at the end of the catalogue.

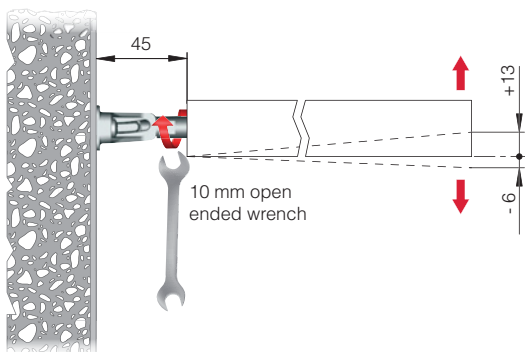
BRACKET ALIGNMENT



LATERAL ADJUSTMENT

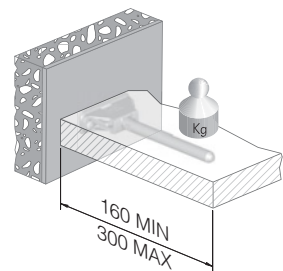
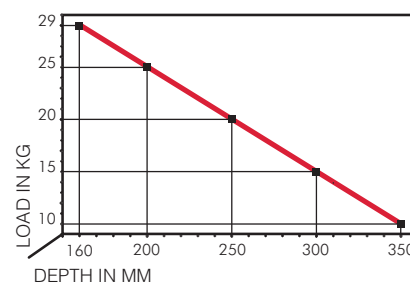


INCLINATION ADJUSTMENT



COMBINATION SHELF LOAD AND SHELF DEPTH

(The figures refer to 1 shelf support)

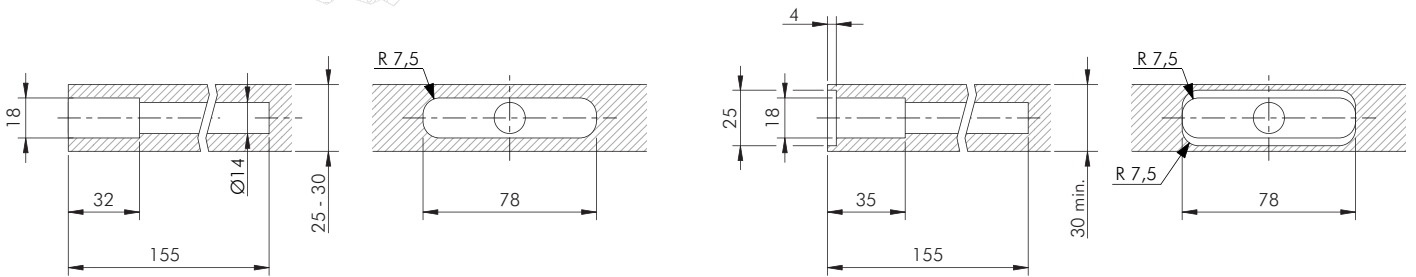
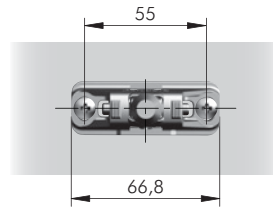
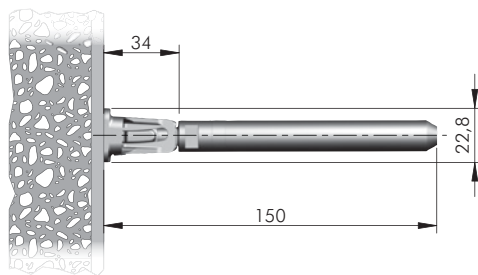


+ shelf weight = 15 kg MAX for each shelf support

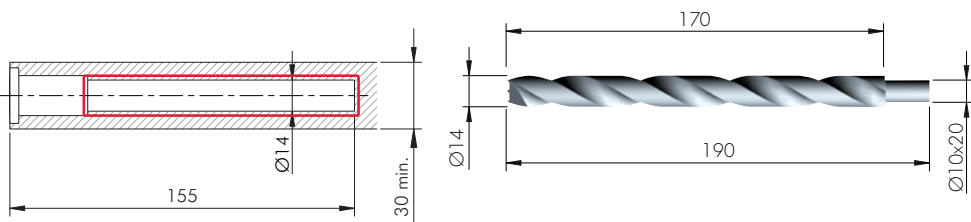
For installation details refer to "APPLICATION FOR ALL TRIADE VERSIONS"



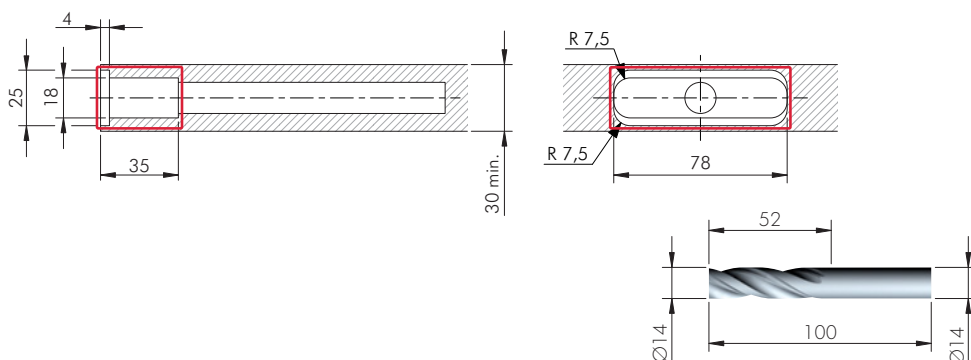
	= PZ2		= open ended wrench 10 mm
	ZA		ST
			= 50 pcs.
	123		
1621501000			



DRILL BIT FOR TRIADE



	HSS		= on request
	123		
1621452000			



	HSS		= on request
	123		
1621454000			

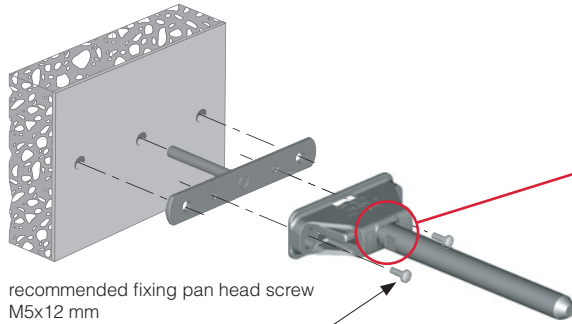
TRIADE AND BRACKET

INSTALLATION

SOLID AND PLASTERBOARD PANEL

VERY IMPORTANT

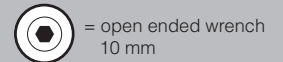
Triade has to be installed with the writing "TOP - ALTO" facing upwards.



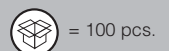
It is the responsibility of the customer:

- to ensure the wall is of a suitable quality to hold the shelf fixing in place.
- to use the proper hardware fittings according to the construction of the wall.

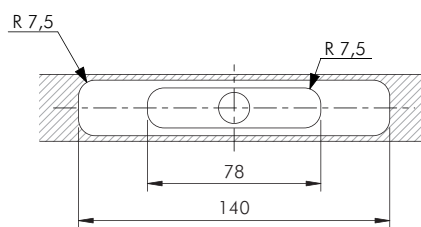
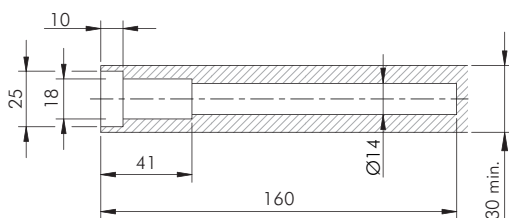
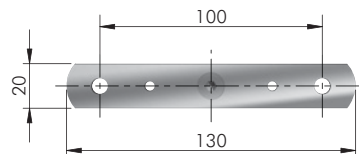
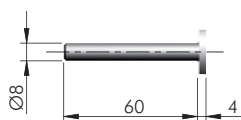
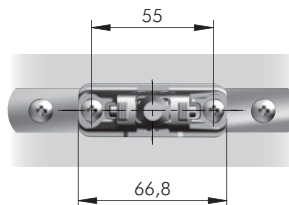
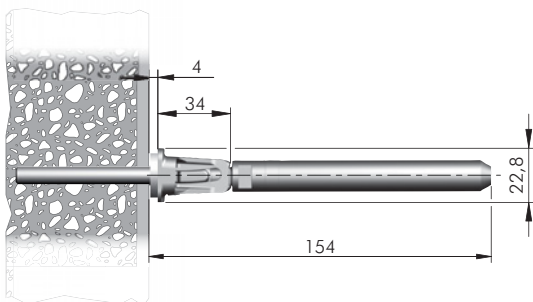
For more specific information, please refer to the WARNINGS section at the end of the catalogue.



1621501000

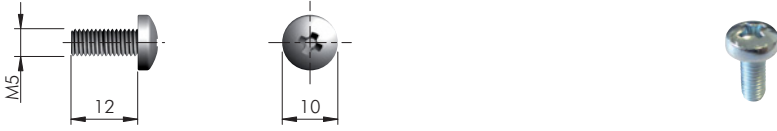


16215020ZN





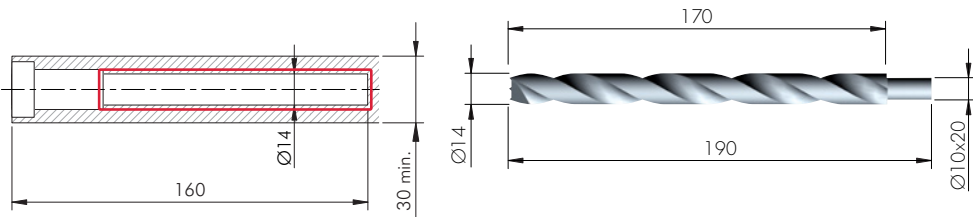
TRIADE BRACKET FIXING ACCESSORY



= M5
 = PZ2
 = 1000 pcs.

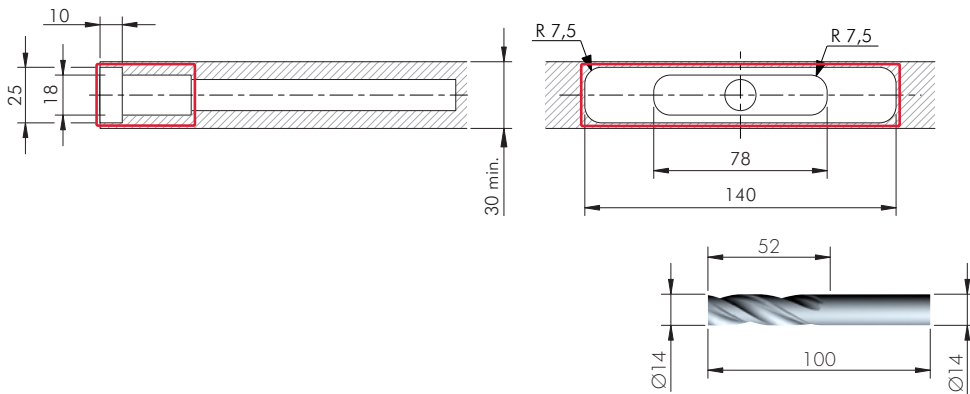
123
 60334030ZN

DRILL BIT FOR TRIADE AND BRACKET



 = on request

123
 1621452000



 = on request

123
 1621454000