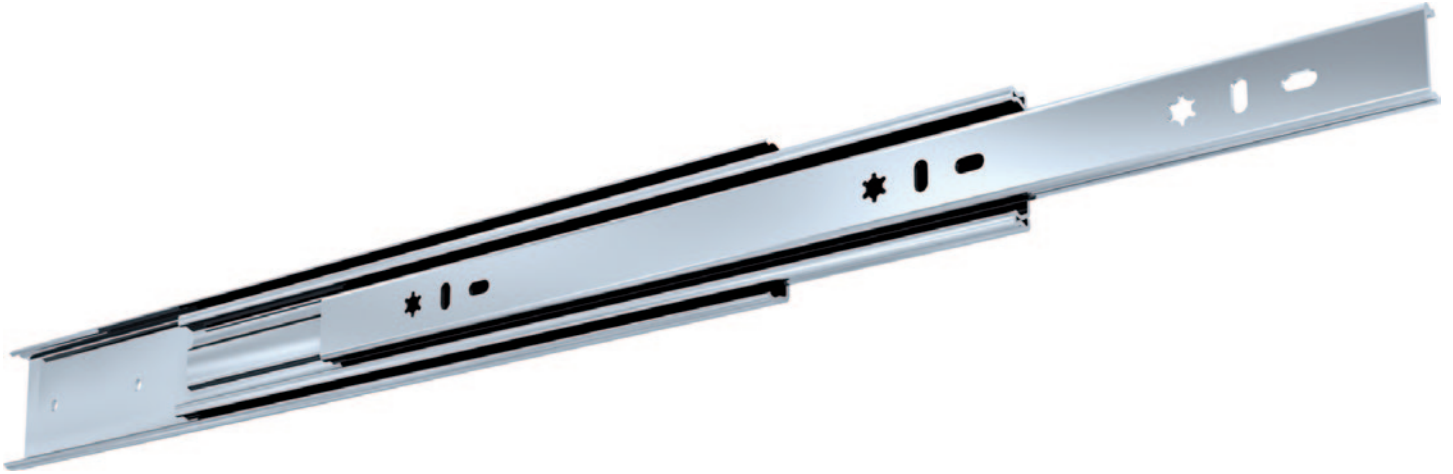


FR 5052

SLIDE TYPE:	Full-Extension Linear Ball Bearing Drawer Slide - Telescopic-Action
MOUNTING:	Side Mount

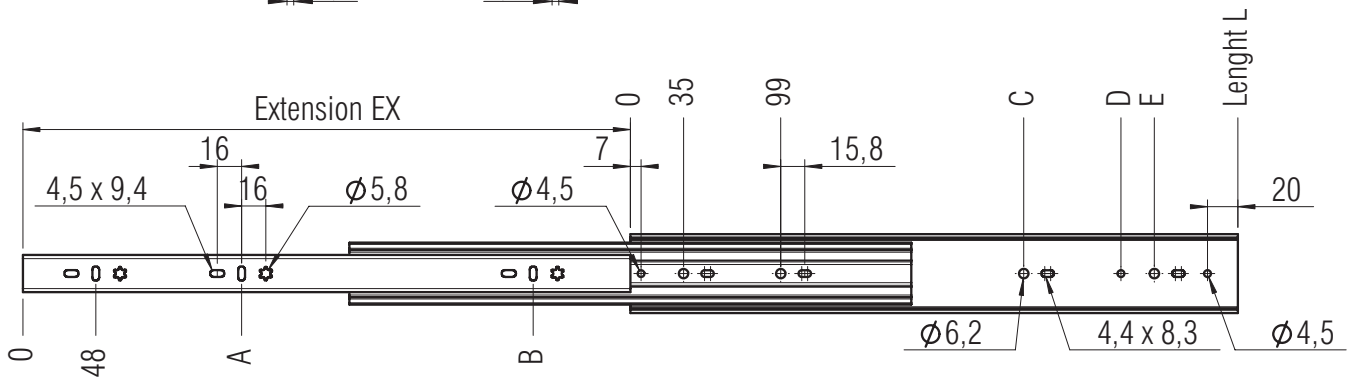
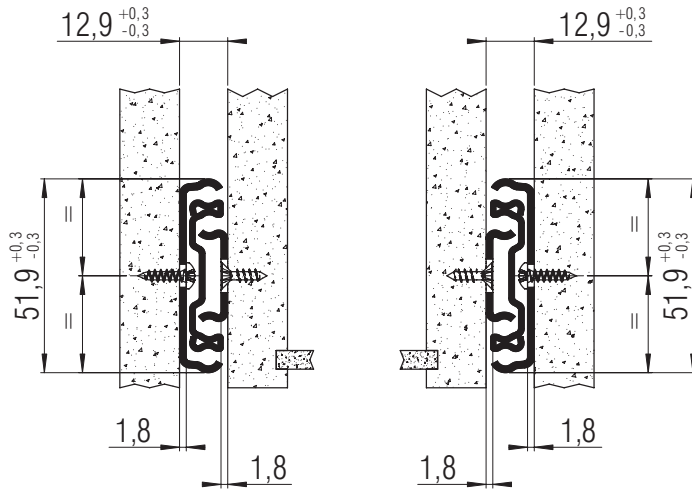
WIDTH:	12,9 mm
LOAD CAPACITY:	dynamic up to 90 kg



MATERIAL:	steel, bright galvanized
------------------	--------------------------

FEATURES:	linear steel ball bearings
------------------	----------------------------

SPECIFICATIONS:
▶ universal hole pattern
▶ Drawer can be lifted out by pressing down the release lever in the drawer rail
▶ Retainer holds the drawer securely in the closed position



screw holes for 3,5 mm spax screws

L mm	EX mm	A mm	B mm	C mm	D mm	E mm	Weight per pair (kg)	Order No. galvanized
350*	354	112	304	259			1,59	▶ 5152
400*	400	144	336	259	323		1,83	▶ 5153
450*	452	176	400	259	323	387	2,05	▶ 5154
500**	515	176	464	259	323	451	2,36	▶ 5155
550**	558	208	496	259	323	451	2,69	▶ 5156
600***	600	240	560	259	323	515	2,80	▶ 5157
650***	650	240	560	259	323	579	3,05	▶ 5158
700***	705	272	656	259	323	611	3,30	▶ 5159

Packing Unit (per box): *10 sets **8 sets ***6 sets

▶ prompt delivery